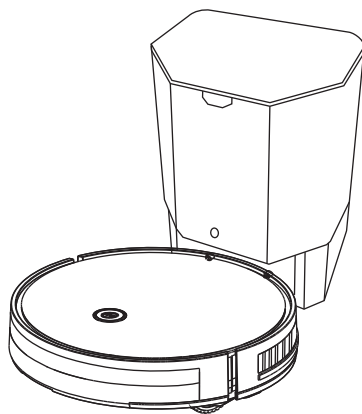


# VAC AND MOP ROBOTIC VACUUM CLEANER

Model: M8

## User Manual



Thanks for purchasing, please read the manual carefully and keep it for future use.

# Content

Safety Instructions .....	1
Product Components .....	4
Product Features .....	7
Product Installation .....	10
Product Operation .....	12
Product Maintenance .....	17
Troubleshooting .....	21
Product Parameters .....	24

## Safety Instructions

Please read this instruction carefully and save it for future use, wrong operation which is not in accordance with this manual will cause damage to the product.

### Precautions for components of the robot cleaner

#### Warnings

01. Do not disassemble, repair, or modify the machine yourself, as this may damage the product and cause danger.
02. Do not use this product in environments where there is a risk of fire or explosion.
03. Use only the original power adapter for this product; otherwise, it may cause damage or fire.
04. Do not stand or sit on the product, as this may cause damage or falls.
05. When dust is attached to the metal part of the power plug, wipe it clean with a dry cloth.
06. The power adapter uses 100-240V AC voltage; plug it correctly into the socket to avoid children touching it.
07. Do not wash or immerse the main unit and electronic accessories in water, as this may cause short circuits and damage.
08. Do not damage the power cord, place heavy objects on it, heat it, or pull or bend it.
09. During the operation of the product, pay attention to the safety of children and the elderly to avoid tripping hazards. Do not touch the wheels and side brushes with your hands to avoid injury (pay special attention to young children)
10. This product is for indoor household use only; do not use it outdoors.
11. Do not allow metal or conductive materials to contact the battery terminals, as this may cause short circuits.

## ⓘ Cautions

01. Do not touch with wet hands, as this may cause electric shock.
02. Do not place the product in locations where it may fall, such as on tables, chairs, or high platforms.
03. This product is a precision electronic device; avoid prolonged exposure to sunlight.
04. Do not use the product in humid environments, such as bathrooms.
05. Do not place the product near cigarette butts, lighters, or other open flames.
06. Clean the product after charging is complete.
07. Turn off the power switch on the side of the machine when not using it for an extended period.
08. Before use, carefully check if the power adapter is properly connected to the socket, as improper connection may cause damage to the machine.
09. Before using the product, remove all fragile items from the floor, such as glass cups and lamps, as well as items that may get tangled in the side brushes and suction path, such as cables and curtains.
10. Empty the garbage box before using the machine when it is full.
11. Do not use the machine to clean construction debris.
12. The operating temperature range for this product is 0 to 40 degrees Celsius; do not use it in high-temperature environments.
13. Before disposing of the product, remove the battery from the machine. When removing the battery, ensure the product is not connected to a power source, and recycle the discarded battery in an environmentally friendly manner.

## **Charging battery safety precautions**

### ⓘ Danger

01. Use only the dedicated power adapter; otherwise, it may cause leakage, overheating, or rupture.
02. Do not short-circuit or disassemble the battery; otherwise, it may cause leakage, overheating, or rupture.



03. Do not transport or store the battery with metal items such as necklaces and hairpins, as this may cause short circuits, leakage, overheating, or rupture.

04. Do not throw the battery into fire or heat it; otherwise, it may cause leakage, overheating, or rupture.

### Cautions

01. If you notice abnormal overheating during charging, stop using the battery immediately to avoid leakage, overheating, or rupture.

02. To extend battery life, remove the battery and store it in a cool, dry environment when not in use for an extended period; otherwise, it may cause leakage, overheating, or rupture.

03. Do not immerse the battery in water or expose it to liquids, as this may cause leakage, overheating, or rupture.

04. If abnormalities occur (such as discoloration or deformation), stop using the battery immediately to avoid leakage, overheating, or rupture.

05. When recycling, reusing, or disposing of the battery, be sure to insulate the electrode parts with tape or similar materials.

### Warnings

01. If battery leakage contacts skin or clothing, immediately rinse with clean water. If left untreated, it may cause skin inflammation or other issues.

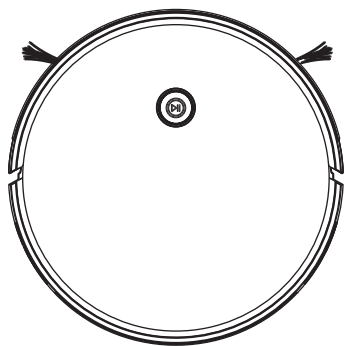
02. Do not use the charging battery of this product on other devices. This battery is only suitable for Duronn brand intelligent sweeping robots.

03. If the battery casing becomes deformed, swollen, or electrolyte leaks out, do not charge or continue to use it to avoid danger.

04. Do not subject the battery to strong impacts or throw it, as this may cause leakage, overheating, or rupture.

05. Do not disassemble the battery pack, as this may cause the battery pack to rupture, electrolyte to leak out, and result in fire or explosion hazards.

# Product Components



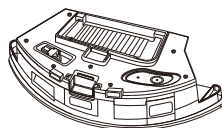
The main unit x1

## Spare parts lists

1. Components assembled onto the cleaner:



Roller brush x1



2in1 Water-tank x1  
(With mop cloth)

2. Other components:

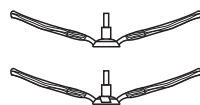


Remote control x1



Power cord x1

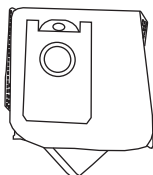
( Connecting dust collector)



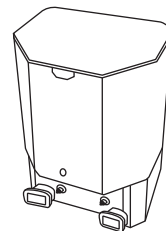
Side brush x2



Cleaning tool x1

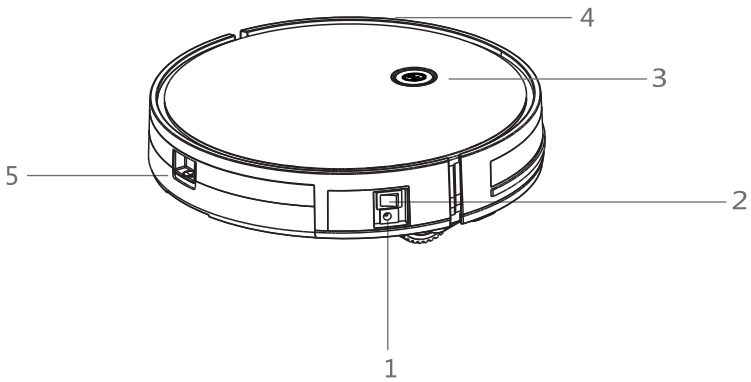


Dust-bag x1



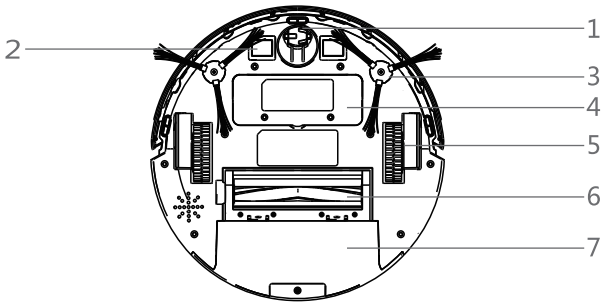
Dust collector x1  
( With dust-bag assembled )

\* This components list is for reference only.



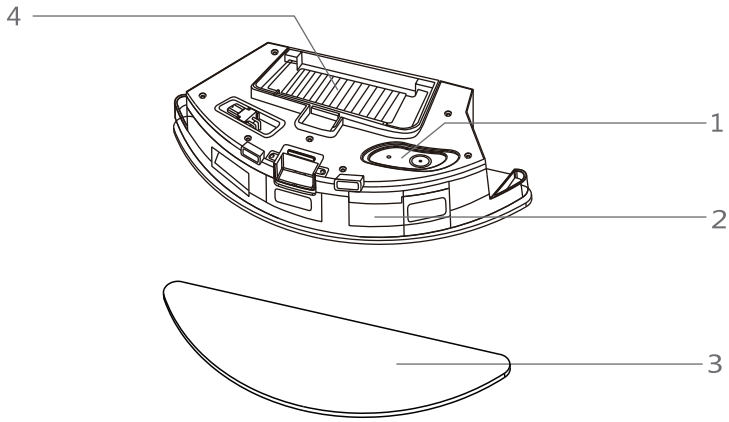
Front-view of the cleaner

- |                  |                              |                  |
|------------------|------------------------------|------------------|
| 1. DC power plug | 2. Power switch              | 3. On/off button |
| 4. Bumper        | 5. Water-tank release button |                  |



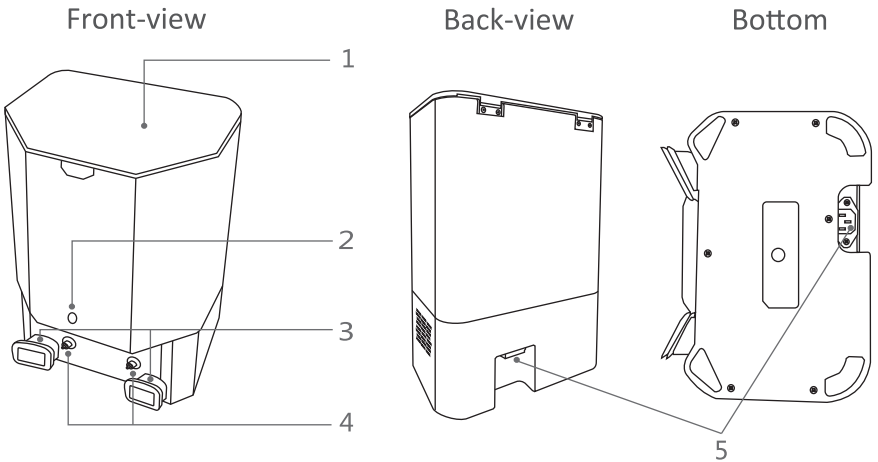
Back-view of the cleaner

- |                    |                 |               |                  |
|--------------------|-----------------|---------------|------------------|
| 1. Universal wheel | 2. Electrode    | 3. Side brush | 4. Battery cover |
| 5. Wheel           | 6. Roller brush | 7. Water-tank |                  |



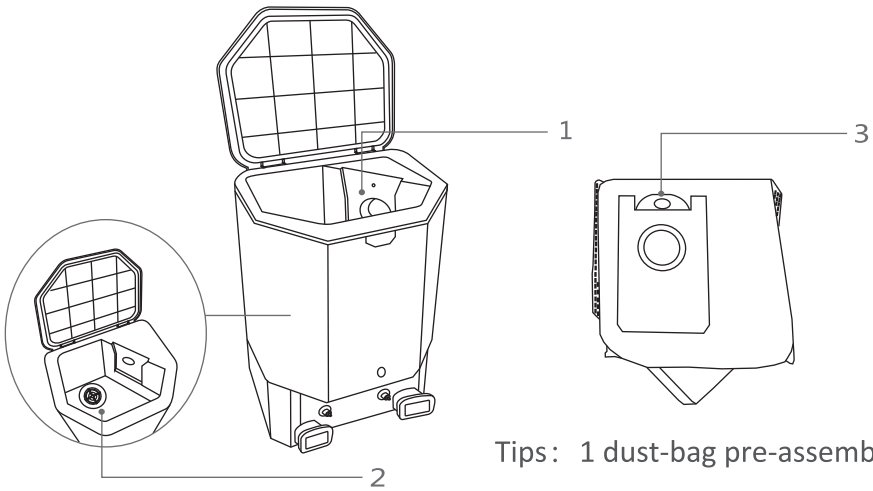
2in1 Water-tank

1. Tank lid 2. Water reservoir 3. Seeping cloth 4. HEPA Filter



Dust Collector

1. Top-cover 2. Light indicator 3. Dust duct  
4. Electrode 5. Electrical cord



Tips: 1 dust-bag pre-assembled

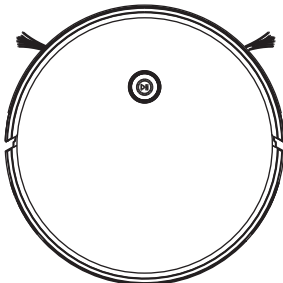
Dust collector(With open top)

- 1. Dust-bag assembly
- 2. Filters (non-detachable)
- 3. Dust-bag handle

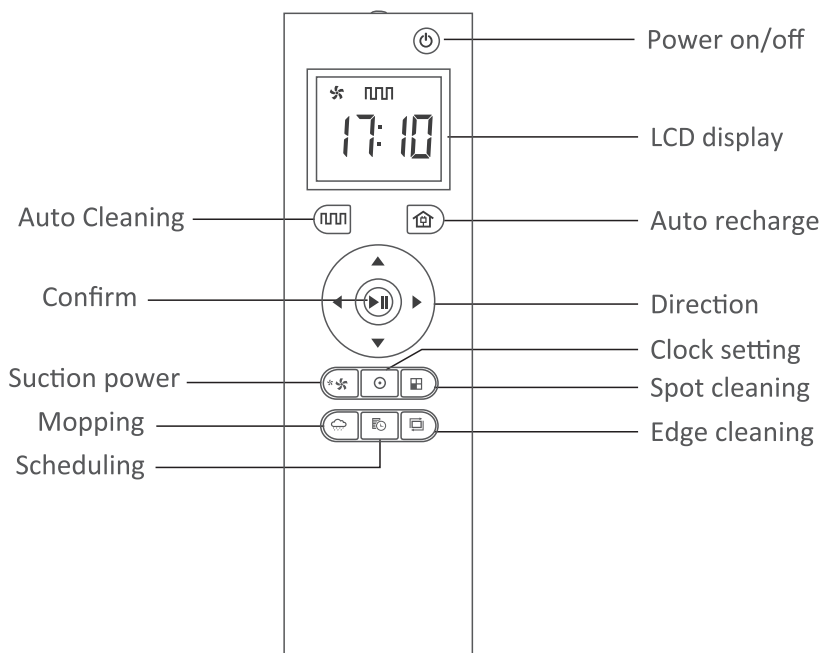
## Product Features

Intelligent cleaning adjust

This product, based on different cleaning modes, can adjust the cleaning mode through a remote control, significantly increasing cleaning efficiency and saving 30% of electricity.




## Remote control



### Auto Cleaning

Press this button to enter the automatic cleaning mode.

### Auto recharge

Press this button for the machine to enter the recharging mode, and the remote control screen will display .

### ▲ Move Forward/+

In standby mode, press and hold this button for the machine to continuously move forward, and release to return to standby mode. In scheduling mode or time setting mode, press this button to increase the digits.

### ▼ Move Backward/-

In standby mode, press and hold this button for the machine to continuously move backward, and release to return to standby mode. In scheduling mode or time setting mode, press this button to decrease the digits.

### ◀ Left

In standby mode, press and hold this button for the machine to continuously turn left, and release to return to standby mode. In scheduling mode or time setting mode, press this button to switch digits from minutes to hours.

### ▶ Right

In standby mode, press and hold this button for the machine to continuously turn right, and release to return to standby mode. In scheduling mode or time setting mode, press this button to switch digits from hours to minutes.

### ▶|| Confirm

During operation, press this button to pause the machine, and press again to resume work. In scheduling or clock setting mode, press this button to save settings.

### \*✳ Suction power switch

In any cleaning mode, press this button to adjust the suction power.

### 🕒 Clock setting

Press this button to enter the clock setting mode and press the confirm button to exit.

### 🏠 Spot cleaning

Press this button for the machine to circle outward from its starting point, clean 0.5 meters, then reverse back to the starting point.

### ☁ Mopping

Press this button to switch between low, medium, and high levels to adjust the water output.

### 📅 Scheduling

In standby mode, press this button to enter the scheduling setting mode, and the display will flash an icon. In scheduling mode, press this button to save the data and exit the scheduling setting mode, and the display will show a constant icon. In scheduling mode, press and hold the scheduling button for 3 seconds to cancel the scheduling function and clear the display icon.

## Edge Cleaning

Press this button for the machine to enter edge cleaning mode.



Display scheduling time



Display clock time

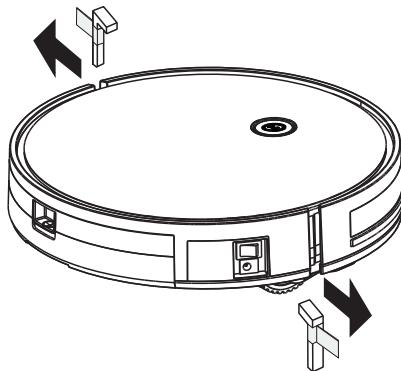
## Dust collector light indicator

1. The green light of the dust collector indicator is constantly on, indicating that the dust collector is powered.
2. When the dust collector's cover is not closed properly/detects that the dust bag is not installed or not in place/dust bag is full/fan is abnormal, the red indicator light will flash.
3. The dust collector is in the process of collecting dust, and the yellow light is constantly on.
4. When the air pressure sensor has an abnormality, the green light of the dust collector will flash.

## Product Installation

Remove the protective pads

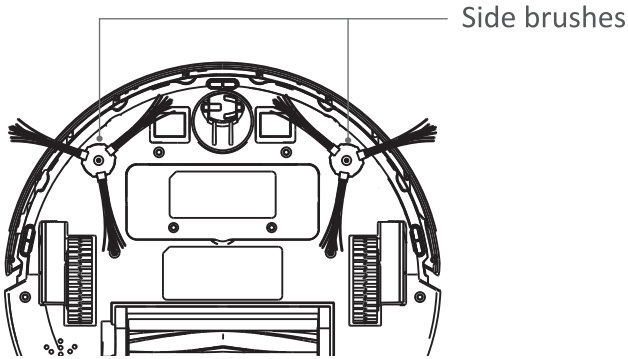
Before using, please make sure to remove the protective pads on both sides of the main unit.





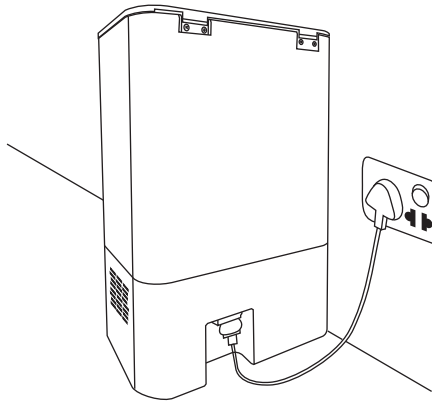
Install the side brushes

Install the side brushes on the corresponding buckle positions at the bottom of the main unit.



Place the dust collector against the wall

- Install the dust collector base in an open area with good Wi-Fi signal.
- After powering on, the dust collector light will show a constant green light.



# Product Operation

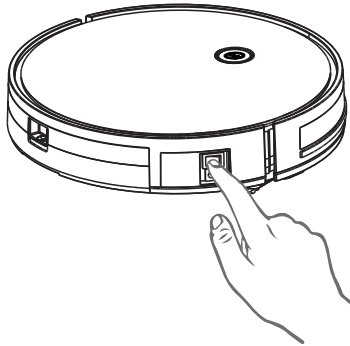
## Connect to Tuya Smart App

1. Scan the QR code to download and install the "Smart Life" app or download and install the "Smart Life" app from major app stores.
2. Open the app, register/login according to the prompts, and add the device. (Refer to the app's Wi-Fi connection instructions for details.)



## Start Cleaning

Turn on the machine's power switch, and the control button will start showing a constant green light and enter the selection mode. If the machine is not operated within 30 minutes, it will enter sleep mode.



## Pause

Pausing refers to switching the machine from working mode to pause mode. You can pause the machine through the following operations:

01. Press the machine control button to pause.
02. Press the start/stop button on the remote control to pause the machine. Note: After the machine is paused, you can resume operation.

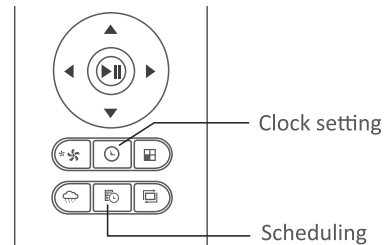
## Cleaning Methods

Press the main control button briefly, and the main unit will start cleaning from the dust collector.

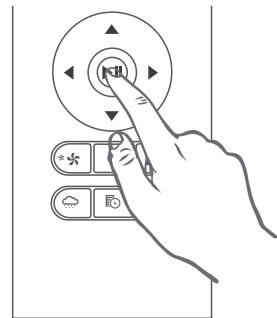
\* Tip: To ensure the main unit can return to the dust collector smoothly after cleaning, it is recommended to start from the dust collector, and do not move the dust collector randomly during the cleaning process.

### 1. Scheduled Cleaning

1) Use the "Clock Setting Button" on the remote control to adjust the machine to your current local time and then press the "Confirm Button".



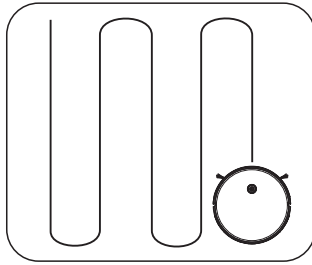
2) Press the "Scheduling" button to enter scheduling mode, set the scheduled cleaning time on the remote control, and press the start/stop button or the scheduling button to complete the scheduling setting (Note: Set up while facing the machine). To cancel a scheduled cleaning, press and hold the scheduling button for 3 seconds.



Under scheduling cleaning mode, all operation is with voice reminder to confirm.

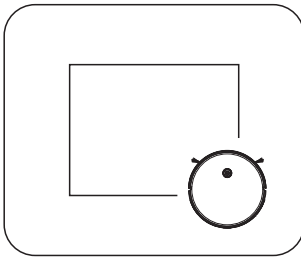
3) After the settings are completed, the machine will start cleaning on time as scheduled. Note: Once the power switch is turned off, all scheduled cleanings will be canceled and reset.

## 2. Cleaning mode



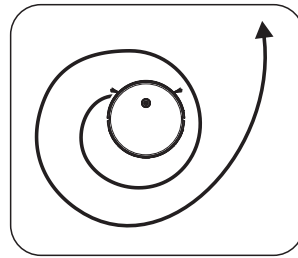
### Auto cleaning

The cleaner will clean the room with zig-zag planned route automatically.



### Edge cleaning

The cleaner will clean along the edge of the room



### Spot cleaning

The cleaner will start with the cleaner at the center and will clean in circles.

### Spot Cleaning

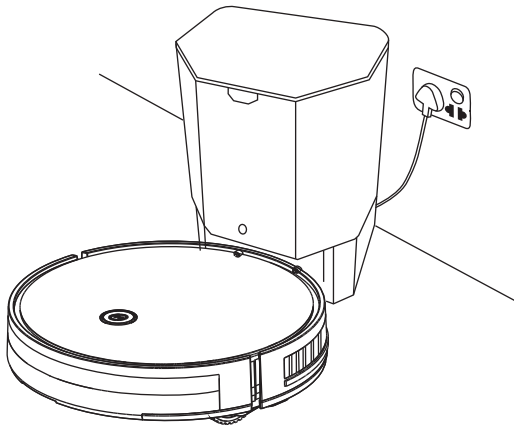
In spot cleaning mode, the machine will circle outward from its starting point, clean 0.5 meters, then reverse back to the starting point.

### Mopping Mode

In mopping mode, the machine will clean the room following a bow-shaped route and adjust its posture based on different floor environments and obstacles.

## Dust Collection and Charging

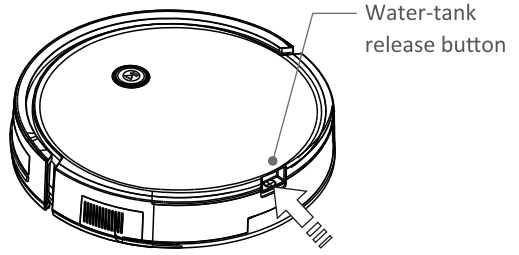
1. When the cleaning is completed, the machine starts recharging, returns to a certain distance in front of the dust collector, and adjusts the angle so that the machine faces the dust collector.
2. The machine moves forward facing the dust collector for a certain distance (optimizing the angle facing the dust collector during the process). The machine docks, and if the front collision triggers the collision, and the machine doesn't start charging (if the machine's front charging electrode makes contact, it starts charging).
3. The machine moves backward for a certain distance, rotates 180 degrees in place, and stops rotating when the rear part (dustbin area) is aligned with the dust collector.
4. The machine moves backward, aligns with the dust collector, and stops moving when the two metal plates on the machine contact the two charging metal plates on the dust collector. After a 3-second delay, the dust collector starts the vacuum fan, the yellow light remains on, and stops vacuuming after 10 seconds.
5. The main unit stops moving and starts charging.



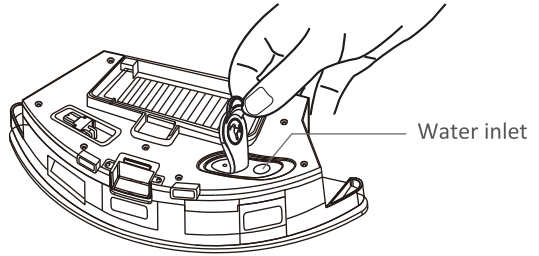
Tips: Please fully charge the battery for initial use.

## 2in1 Water-tank operation

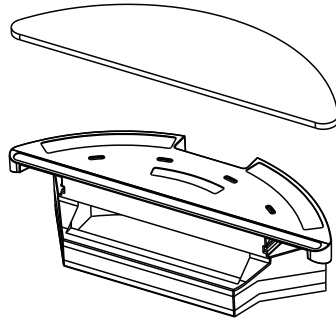
1. Press the release button to get rid of the water-tank.



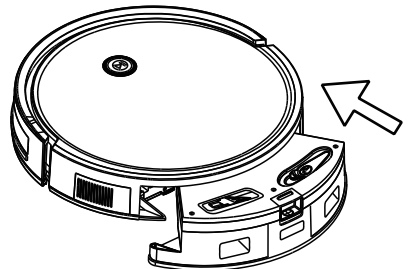
2. Open the tank-lid and fill water into the water tank.



3. Tighten the tank lid and stick the mopping cloth onto the bottom of the water-tank.



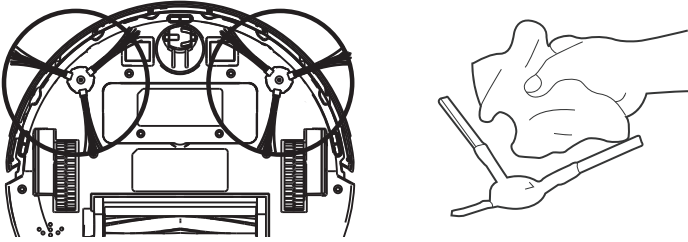
4. Assemble the water-tank onto the cleaner.



# Product Maintenance

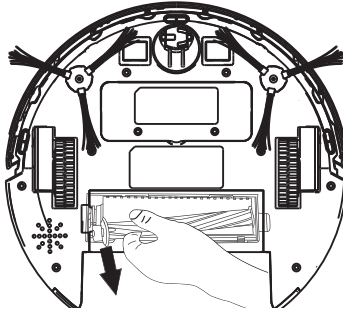
## Side brush cleaning and replacement

Periodically check the condition of the side brushes, inspect for any damage or entangled debris, and clean them with a cleaning tool or cloth. Replace the side brushes promptly if they are damaged and unusable, with L and R corresponding to each side.



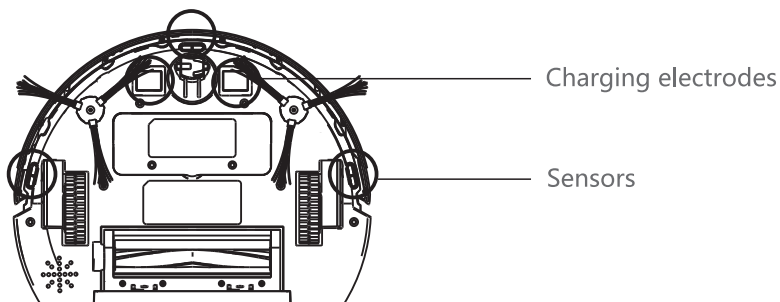
## Main brush maintenance (recommended weekly cleaning)

1. Turn the bottom of the main unit upwards and open the roller brush cover assembly.
2. Remove the roller brush shaft and clean any debris and hair from it.



## Maintenance of other components of the main unit

Occasionally use a cleaning tool or dry, soft cloth to gently wipe the chassis, charging electrodes, and sensor windows.

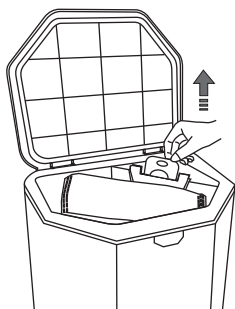


## Replacing the dust bag

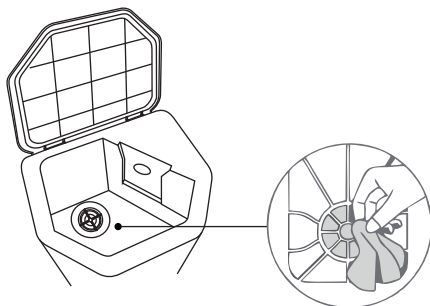
When it is time to replace the dust bag, the dust collector indicator light will flash red.

1. Open the cover of the dust collector, pull the dust bag handle upwards, remove the dust bag and discard.

Tip: Pulling the dust bag handle upwards will seal the dust bag, effectively preventing dust or dirt from spilling out.

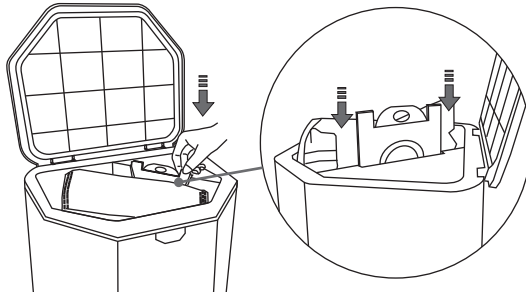


2. Wipe the dust or dirt off the filter with a dry cloth.

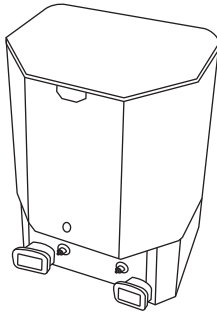




3. As shown in the illustration, insert the new dust bag's card plate into the slot and install the dust bag in place.

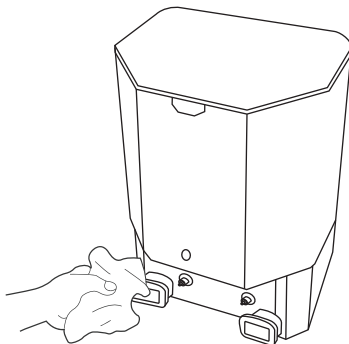


4. Press down on the dust collector cover to ensure it is completely closed.



### Dust collector

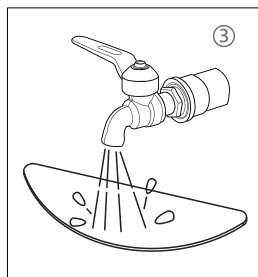
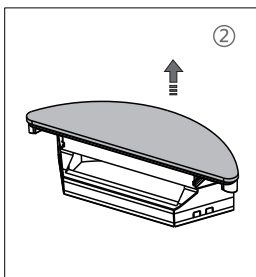
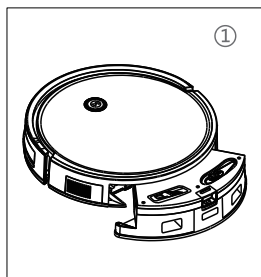
Clean as needed, wiping the dust collector's charging contacts and dust collection port with a soft, dry cloth.



## 2in1 Water tank component maintenance

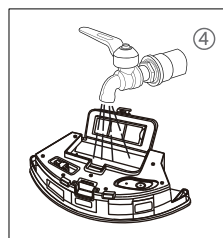
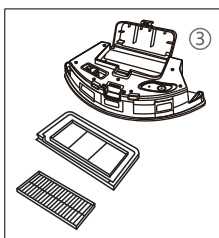
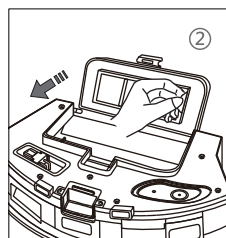
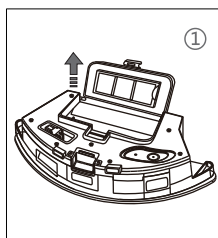
### 1. Cleaning of seeping cloth

- ① Turn off the main unit and remove the water tank.
- ② Remove the seeping cloth.
- ③ Rinse and air dry the seeping cloth.



### 2. Clean the dust collector and filters

- ① Open and empty the dust collector.
- ② Remove the pre-filter by pulling the hooks as shown.
- ③ Take out the HEPA filter.
- ④ Clean the dust collector and filters with a vacuum cleaner or a cleaning brush.



## Battery

The machine is equipped with a high-performance lithium-ion battery pack. To maintain battery performance, please keep the main unit in a charged state during daily use.

Tip: If not in use for a long time, fully charge the battery and turn off the unit for storage, and recharge at least once every three months to avoid battery damage due to over-discharge.

# Troubleshooting

Warning sounds	Failure reasons	Solutions
Please check if the wheels are stuck.	Wheel jamming.	Check for and remove any debris entangled in the wheels.
Please check if the front bumper is stuck.	Front bumper stuck.	Check if the front bumper can rebound normally.
Battery is low, please charge the robot.	Insufficient battery power.	The machine will automatically enter charging mode.
Please check if the main brush is stuck.	Roller brush abnormality.	Check if the middle brush is entangled with a wire and remove the entanglement.
Please move the machine to an open area.	Machine's escape attempt failed.	Move the main unit to an open area and press the clean button again.

Failure symptoms	Failure reasons	Solutions
Unable to charge	Dust collector not powered or poor contact.	Please make sure both ends of the dust collector's power cord are plugged in. Clean the dust collector's charging contacts and the main unit's charging electrodes.
Cleaner cannot go back to the dust collector	Too many obstacles, signal not received, positioning failed.	Place the dust collector in an open area. Wipe the dust collector's signal emission area. The map will be regenerated. If the main unit is too far from the dust collector and cannot return to charge, manually place the main unit back on the dust collector to charge.

Failure symptoms	Failure reasons	Solutions
Dust collector red light flashing	Dust bag not installed, dust bag full, cover not closed properly, fan abnormal.	When the dust bag is not installed, the dust collection action will not be executed. After confirming the dust bag is installed, the main unit will execute the dust collection action. When the dust bag is full, the dust collection action will not be executed. After replacing the dust bag, the main unit will execute the dust collection action. Close the dust collector cover properly. Check if the fan is malfunctioning.
Unable to connect to Wi-Fi	Wi-Fi connection abnormal, location permission not enabled, poor signal, incorrect username or password.	Reset Wi-Fi and try connecting again. Enable Tuya app location permission in your phone's system settings. Make sure the main unit is within Wi-Fi signal range. Enter the correct Wi-Fi username and password.

## Product Parameters

1	Model	M8 (Gyroscope)
2	Working voltage	DC14.8V
3	Applicable voltage	DC12---DV17V
4	Battery capacity	2600mAh/4400mAh
5	Charging mode	Charging dock/Direct charge
6	Charging time	4-4.5h
7	Rated power	Main unit power: 24W Dust collector power: 900W±10%
8	Working temperature range	0℃~45℃
9	Working humidity range	90RH
10	Standby current consumption	No connection WiFi: 50mA WiFi: 100mA
11	Working noise	≤60dB
12	Power supply	18V/1A
13	Overall machine life	≤Continuous uninterrupted operation7200—8000hours or intermittent use for 3 years
14	Main unit specification	Φ330X79mm
15	Net weight	6.4kg (main unit + dust collector)
16	Wi-Fi	Supported
17	Battery runtime	120min

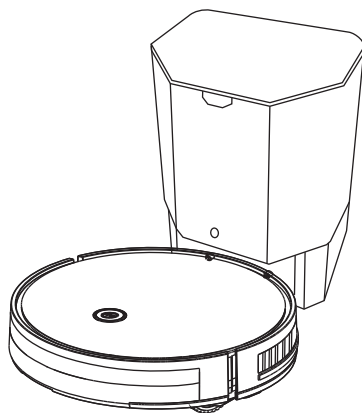
Cleaning modes	Automatic/Recharge/Edge/Spot/Manual mode
Suction components (suction port, roller brush, roller suction interchangeable)	Roller brush with suction port
Suction power adjustment	Two levels adjustable (First level - Standard mode; Second level - High suction mode)
Ground recognition	Infrared detection
Suction port structure	Detachable for cleaning (not washable with water)
Roller brush size (length * width, mm)	155*40mm
Cleaning area	100m <sup>2</sup>

2in1 Water tank	With electric control water tank + Dust collector
Water volume adjustment (none/ three gears adjustable)	Three levels adjustable (50/70/90min)
2in1 Water tank capacity (ml)	160ml(Water tank)+220ml(Dust collector)
Mopping area	100m <sup>2</sup> mopping area with a full water tank
Mop cloth (mm)	282x91mm

# ASPIRADOR ROBÔ M8 PARA ASPIRAÇÃO E LAVAGEM

Modelo: M8

## Manual do utilizador



Obrigado pela sua compra, leia atentamente o manual e guarde-o para referências futuras.



## **Manual do utilizador**

Instruções de segurança .....	1
Componentes do produto .....	4
Características do produto .....	7
Instalação do produto .....	10
Funcionamento do produto .....	12
Manutenção do produto .....	17
Resolução de problemas .....	21
Parâmetros do produto .....	24

## Instruções de segurança

Leia estas instruções atentamente e guarde-as para referência futura, um funcionamento incorreto que não está em conformidade com este manual irá causar danos no produto.

### Precauções para componentes do aspirador robô



#### Avisos

01. Não desmonte, repare ou modifique a máquina sozinho, pois isto pode danificar o produto e causar perigo.
02. Não utilize este produto em ambientes onde exista risco de incêndio ou explosão.
03. Utilize apenas o adaptador de alimentação original para este produto; caso contrário, pode causar danos ou um incêndio.
04. Não se coloque em cima ou sente no produto, pois isto pode causar danos ou quedas.
05. Se houver pó agarrado à parte metálica da ficha de alimentação, limpe-a com um pano seco.
06. Se o adaptador de alimentação utiliza uma tensão de 100-240V, ligue-o à tomada corretamente para evitar que as crianças lhe toquem.
07. Não lave ou submerja a unidade principal e acessórios eletrônicos em água, pois isto pode causar curto-circuito e danos.
08. Não danifique o cabo de alimentação, não coloque objetos pesados sobre ele, o aqueça ou puxe ou sobre.
09. Durante o funcionamento do produto, tenha em atenção a segurança das crianças e idosos para evitar que tropecem. Não toque nas rodas e escovas laterais com as mãos para evitar lesões (tenha especial atenção com as crianças pequenas).
10. Este produto destina-se apenas a utilização doméstica em interiores; não o utilizar no exterior.
11. Não permita que materiais metálicos ou condutores entrem em contacto com os terminais da bateria, pois isso pode provocar curto-circuitos.

## ⚠️ Precauções

01. Não toque com as mãos molhadas, pois pode causar choque elétrico.
02. Não coloque este produto em locais onde possa cair, como mesas, cadeiras ou plataformas altas.
03. Este produto é um dispositivo eletrónico de precisão; evite a exposição prolongada à luz solar.
04. Não utilize o produto em ambientes húmidos, como casas de banho.
05. Não coloque o produto perto de beatas de cigarros, isqueiros ou outras fontes de calor abertas.
06. Limpe o produto depois de terminado o carregamento.
07. Desligue o interruptor de alimentação na lateral da máquina quando não for utilizada durante um período prolongado.
08. Antes da utilização, verifique cuidadosamente se o adaptador de alimentação está corretamente ligado à tomada, pois uma ligação incorreta pode causar danos na máquina.
09. Antes da utilização deste produto, remova todos os itens frágeis do chão, como copos de vidro e candeeiros, assim como itens que possam ficar presos nas escovas laterais e percurso de aspiração, como cabos e cortinas.
10. Despeje a caixa de resíduos antes de utilizar a máquina quando este estiver cheio.
11. Não utilize a máquina para limpar detritos de construção.
12. O intervalo da temperatura de funcionamento deste produto é de 0 até 40 graus celsius; não o utilize em ambientes de altas temperaturas.
13. Antes de descartar o produto, remova a bateria da máquina. Ao remover a bateria, certifique-se de que o produto não está conectado a uma fonte de alimentação e recicle a bateria descartada de uma forma ecológica.

## **Precauções de segurança do carregamento da bateria**

### ● Perigo

01. Utilize apenas o adaptador de alimentação atribuído; caso contrário, pode causar fugas, sobreaquecimento ou rutura.
02. Não crie um curto-circuito ou desmonte a bateria; caso contrário, pode causar fugas, sobreaquecimento ou rutura.

03. Não transporte ou armazene a bateria com itens de metal como colares e travessões de cabelo, pois pode causar curto-circuitos, fugas, sobreaquecimento ou rutura.

04. Não atire a bateria ao fogo ou a aqueça; caso contrário, pode causar fugas, sobreaquecimento ou rutura.

## Precauções

01. Se verificar sobreaquecimento anormal durante o carregamento, pare de utilizar a bateria imediatamente para evitar fugas, sobreaquecimento ou rutura.

02. Para prolongar a vida da bateria, remova a bateria e armazene-a num local fresco e seco quando não utilizada durante um período prolongado; caso contrário, pode causar fugas, sobreaquecimento ou rutura.

03. Não submerja a bateria em água ou a exponha a líquidos, pois pode causar fugas, sobreaquecimento ou rutura.

04. Se ocorrerem anomalias (como descoloração ou deformação), pare de utilizar a bateria imediatamente para evitar fugas, sobreaquecimento ou rutura.

05. Ao reciclar, reutilizar ou descartar a bateria, assegure-se de que isola as peças do eléctrodo com fita adesiva ou materiais semelhantes.

## Avisos

01. Se a fuga da bateria entra em contacto com a pele ou roupa, passe imediatamente por água limpa. Se não for tratada, pode causar inflamação da pele ou outros problemas.

02. Não utilize a bateria de carregamento deste produto noutros dispositivos. Esta bateria só é adequada para os robôs varredores inteligentes da marca Duronn.

03. Se o revestimento da pilha ficar deformado, inchado ou se ocorrerem fugas de eletrólito, não carregue nem continue a utilizá-la para evitar qualquer perigo.

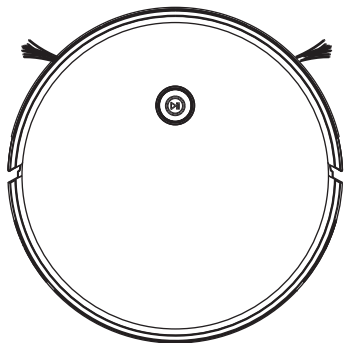
04. Não submeta a bateria a impactos fortes nem a atire, pois isso pode provocar fugas, sobreaquecimento ou rutura.

05. Não desmonte a bateria, pois isso pode provocar a sua rutura, a fuga de eletrólito e resultar em riscos de incêndio ou explosão.

# Componentes do produto

## Lista de peças sobressalentes

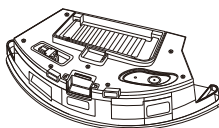
### 1. Componentes montados no aspirador:



Unidade principal x1



Escova rolante x1



Depósito de água 2em1 x1  
(Com pano para mopa)

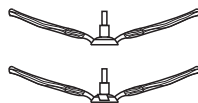
### 2. Outros componentes:



Controlo remoto x1



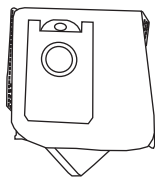
Cabo de alimentação x1  
(conecta ao coletor de pó)



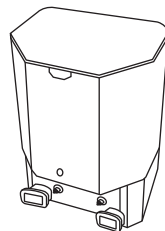
Escova lateral x2



Ferramenta  
de limpeza x1

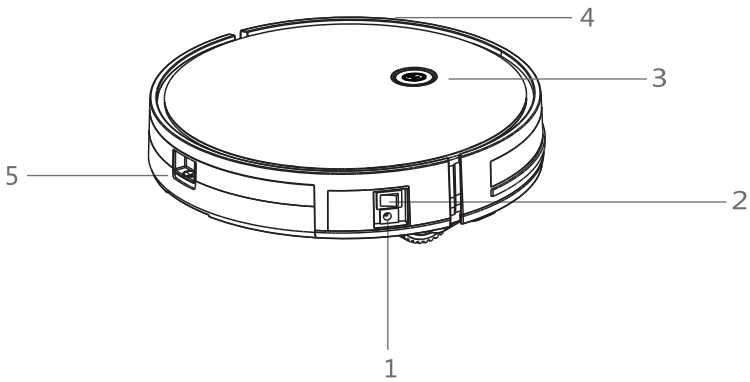


Saco de pó x1



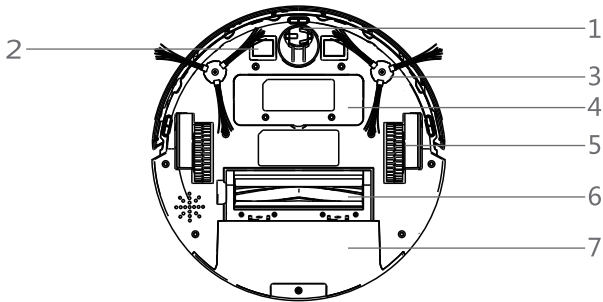
Coletor de pó x1  
(com saco de pó montado)

\* Esta lista de componentes é só para referência.



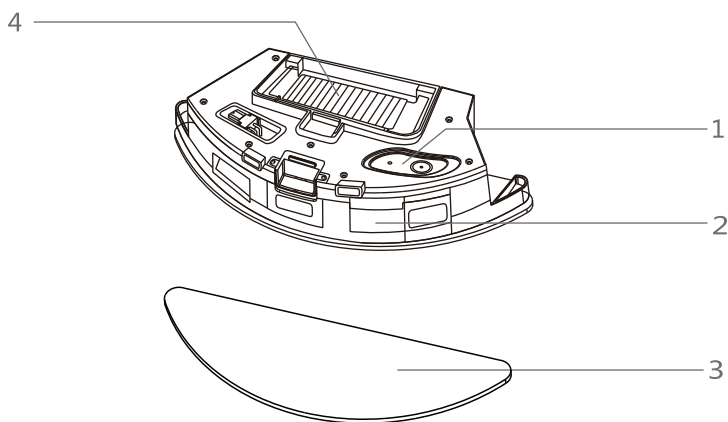
Vista frontal do aspirador

- 1. Adaptador de alimentação DC
- 2. Interruptor de alimentação
- 3. Botão ligar/ desligar
- 4. Para-choques
- 5. Botão de liberação do depósito de água



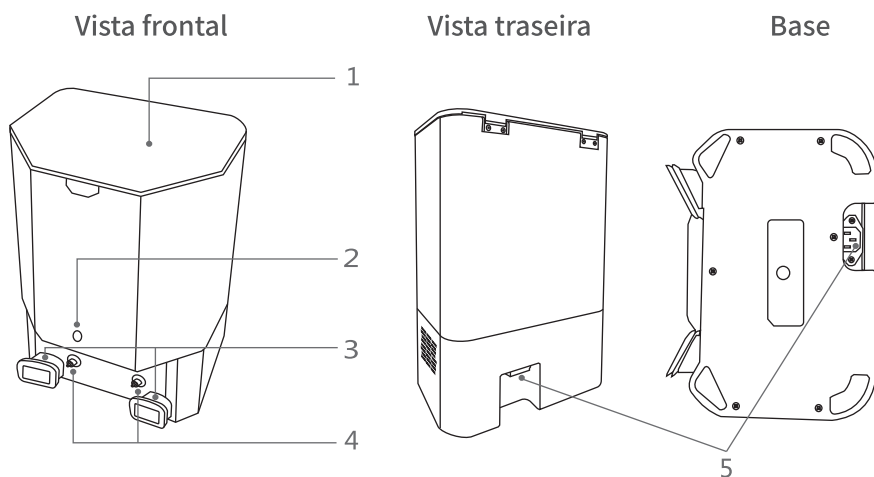
Vista frontal do aspirador

- 1. Roda universal
- 2. Eléctrodo
- 3. Escova lateral
- 4. Tampa da bateria
- 5. Roda
- 6. Escova rolante
- 7. Depósito de água



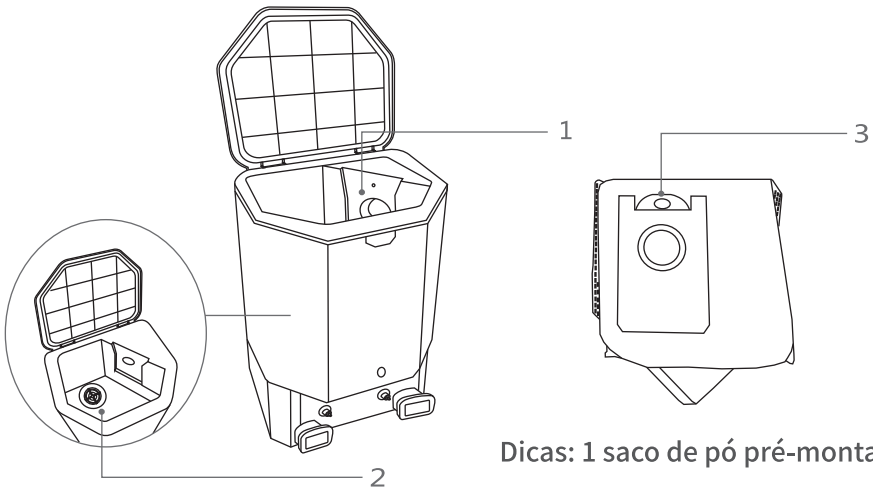
### Depósito de água 2 em 1

- 1. Tampa do depósito
- 2. Reservatório de água
- 3. Pano filtrante
- 4. Filtro HEPA



### Coletor de pó

- 1. Tampa superior
- 2. Indicador de luz
- 3. Tubo de pó
- 4. Eléctrodo
- 5. Cabo eléctrico



Dicas: 1 saco de pó pré-montado

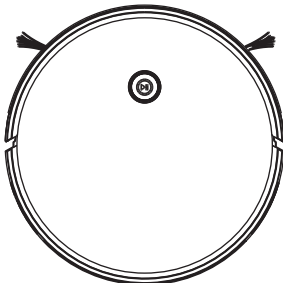
Coletor de pó (com parte superior aberta)

1. Conjunto do saco de pó
2. Filtros (não amovíveis)
3. Pega do saco de pó

## Características do produto

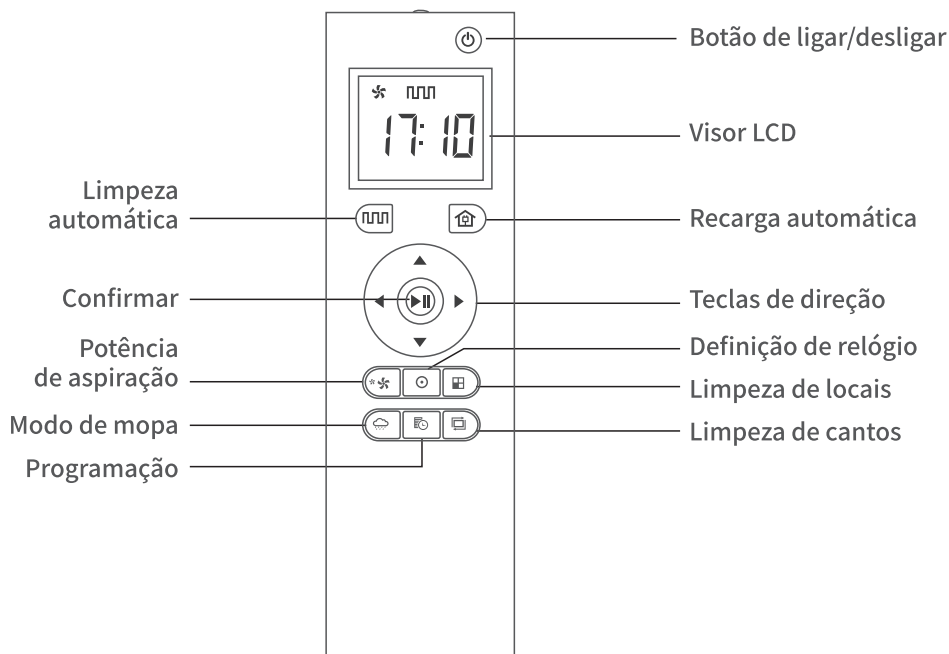
Ajuste de limpeza inteligente

Este produto, baseado em modos de limpeza diferentes, pode ajustar o modo de limpeza através do controlo remoto, aumentando significativamente a eficácia de limpeza e poupando 30% da eletricidade.





## Controlo remoto



### Limpeza automática

Prima este botão para entrar no modo de limpeza automática.

### Recarga automática

Prima este botão para que a máquina entre no modo de recarga e o visor do controlo remoto mostrará .

### Avançar/+

Em modo de espera, prima e mantenha premido este botão para que a máquina avance continuamente e largue o botão para voltar ao modo de espera.

No modo de programação ou definição de horário, prima este botão para aumentar os dígitos.

### Recuar/-

Em modo de espera, prima e mantenha premido este botão para que a máquina reque continuamente e largue o botão para voltar ao modo de espera.

No modo de programação ou definição de horário, prima este botão para diminuir os dígitos.

## ◀ Esquerda

Em modo de espera, prima e mantenha premido este botão para que a máquina vire continuamente para a esquerda continuamente e largue o botão para voltar ao modo de espera.

No modo de programação ou definição de horário, prima este botão para mudar os dígitos de minutos para horas.

## ▶ Direita

Em modo de espera, prima e mantenha premido este botão para que a máquina vire continuamente para a direita e largue o botão para voltar ao modo de espera.

No modo de programação ou definição de horário, prima este botão para mudar os dígitos de horas para minutos.

## ▶|| Confirmar

Durante o funcionamento, prima este botão para pausar a máquina e prima novamente para retomar a tarefa. No modo de programação ou definição de relógio, prima este botão para guardar as definições.

## \*☘ Interruptor de aspiração

Em qualquer modo de limpeza, prima este botão para ajustar a potência de aspiração.

## 🕒 Definição de relógio

Prima este botão para entrar no modo de definição de relógio e prima confirmar para sair.

## 🏠 Limpeza de locais

Prima este botão para que a máquina faça um círculo para fora do ponto de partida, limpe 0,5 metros e depois volte ao ponto de partida.

## ☁ Modo de mopa

Prima este botão para mudar entre os níveis baixo, médio e alto para ajustar a saída de água.

## 🕒 Programação

Em modo de espera, prima este botão para entrar no modo de definição de programação e o visor irá piscar um ícone. Em modo de programação, prima este botão para guardar os dados e sair do modo de definição de programação e o visor irá mostrar um ícone constante. Em modo de programação, prima e mantenha premido o botão de programação por 3 segundos para cancelar a função de programação e apagar o ícone do visor.

## Limpeza de cantos

Prima este botão para que a máquina entre no modo de limpeza de cantos.



Ecrã da hora de programação



Ecrã da hora do relógio

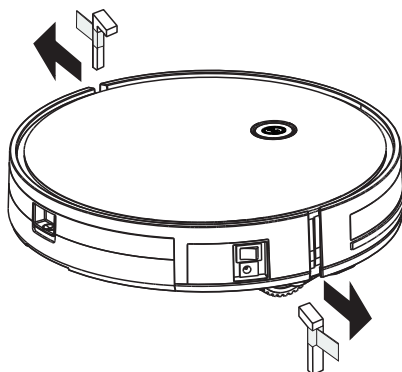
## Indicador de luz do coletor de pó

1. A luz verde do indicador do coletor de pó está sempre ligada, indicando que o coletor de pó está carregado.
2. Quando a tampa do coletor não está fechada corretamente/deteta que o saco de pó não está instalado ou não está no sítio/ o saco de lixo está cheio/ a ventoinha tem uma anomalia, a luz indicadora vermelha irá piscar.
3. O coletor de pó está no processo de coletar pó e a luz amarela está ligada continuamente.
4. Quando o sensor de pressão de ar apresenta uma anomalia, a luz verde do coletor de pó fica intermitente.

## Instalação do produto

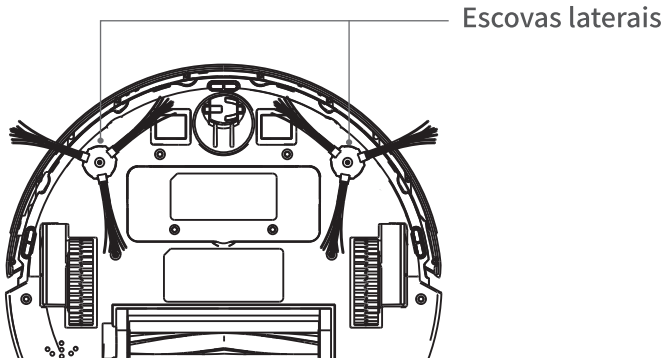
Remover as almofadas de proteção

Antes de utilizar, certifique-se de que remove as almofadas de proteção em ambos os lados da unidade principal.



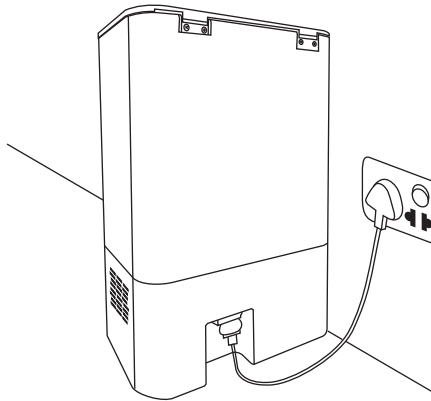
## Instalar as escovas laterais

Instale as escovas laterais nas posições correspondentes na parte inferior da unidade principal.



Coloque o coletor de pó encostado à parede

- Instale a base do coletor de pó numa área aberta com bom sinal wi-fi.
- Após a ligação, a luz do coletor de pó apresenta uma luz verde constante.



## Funcionamento do produto

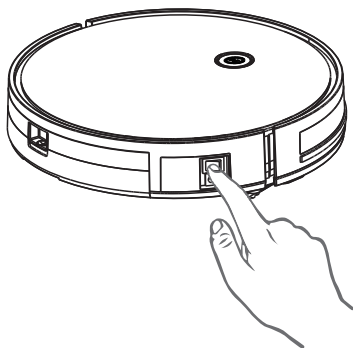
Conectar à app inteligente Tuya

1. Escaneie o código QR para descarregar e instalar a app “Smart Life” ou descarregue e instale a app “Smart Life” numa das app stores principais.
2. Abra a app, crie uma conta/entre numa conta existente de acordo com as instruções e adicione o dispositivo. (Consulte as instruções de ligação wi-fi da aplicação para mais detalhes)



Iniciar a limpeza

Ligue o interruptor da máquina e o botão de controlo irá começar a mostrar uma luz verde constante e irá entrar no modo de seleção. Se a máquina não é utilizada por 30 minutos, irá entrar no modo de suspensão.



Pausar

Pausar refere-se à passagem da máquina do modo de funcionamento para o modo de pausa. É possível colocar a máquina em pausa através das seguintes operações:

01. Prima o botão de controlo da máquina para pausar.
02. Prima o botão de iniciar/parar no controlo remoto para pausar a máquina. Nota: Depois de pausar a máquina, pode retomar a tarefa.

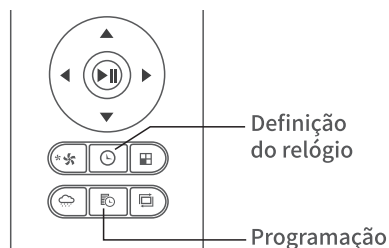
## Métodos de limpeza

Prima brevemente o botão de controlo principal e a unidade principal irá começar a limpar a partir do coletor de pó.

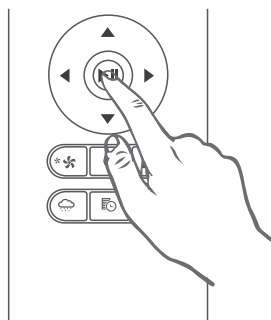
\* Dica: Para ter a certeza de que a unidade principal consegue regressar para o coletor de pó sem problemas, recomenda-se que inicie a limpeza a partir do coletor de pó e não o mova aleatoriamente durante o processo da limpeza.

### 1. Limpeza programada

1) Utilize o “Botão de definição de relógio” no controlo remoto para ajustar a máquina à sua hora local atual e, em seguida, prima o “botão Confirmar.”



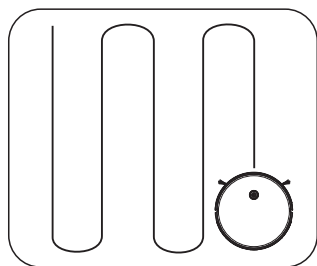
2) Prima o botão de “Programação” para entrar no modo de programação, defina o horário da limpeza programada no controlo remoto e prima o botão iniciar/parar ou o botão de programação para concluir a definição de programação (Nota: faça a instalação com a máquina virada para si). Para cancelar uma limpeza programada, prima e mantenha premido o botão de programação por 3 segundos.



No modo de limpeza programada, todas as operações são efetuadas com um lembrete de voz para confirmar.

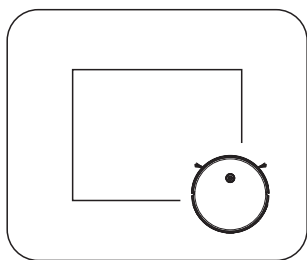
3) Depois das definições estarem concluídas, a máquina irá iniciar a limpeza no horário programado. Nota: Assim que o interruptor é desligado, todas as limpezas programadas serão canceladas e redefinidas.

## 2. Modo de limpeza



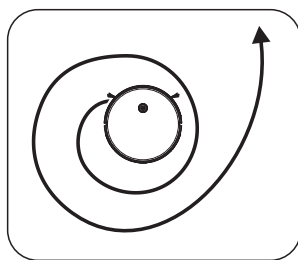
### Limpeza automática

O aspirador irá limpar a divisão com um percurso planeado em ziguezague automaticamente.



### Limpeza de cantos

O aspirador irá limpar ao longo da borda máxima da divisão.



### Limpeza de locais

O aspirador começará com o aspirador no centro e limpará em círculos.

### Limpeza de locais

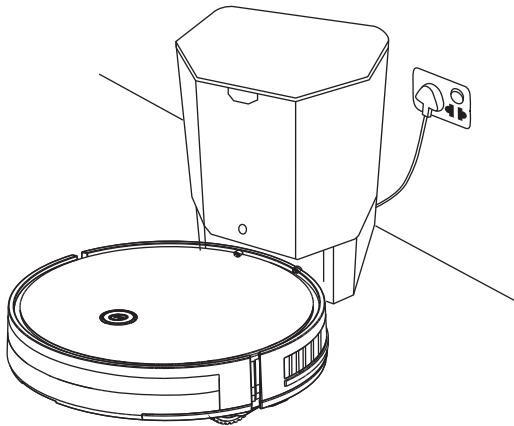
No modo de limpeza de locais, a máquina faz um círculo para fora do seu ponto de partida, limpa 0,5 metros e volta ao ponto de partida.

### Modo de mopa

No modo de mopa, a máquina limpa a divisão seguindo um percurso em forma de arco e ajusta a sua postura com base em diferentes ambientes de piso e obstáculos.

## Recolha de pó e carregamento

1. Quando a limpeza é concluída, a máquina começa a recarregar, regressa a uma certa distância em frente do coletor de pó e ajusta o ângulo de modo a que a máquina fique virada para o coletor de pó.
  2. A máquina avança para a frente, virada para o coletor de pó com uma certa distância (otimizando o ângulo virado para o coletor de pó durante o processo). A máquina atraca e, se a colisão frontal desencadear a colisão, a máquina não começa a carregar (se o elétrodo de carga frontal da máquina entrar em contacto, começar a carregar).
  3. A máquina desloca-se para trás durante uma certa distância, roda 180 graus no lugar e para de rodar quando a parte traseira (área do caixote do lixo) está alinhada com o coletor de pó.
  4. A máquina desloca-se para trás, alinha-se com o coletor de pó e para de se deslocar quando as duas placas de metal da máquina entram em contacto com as duas placas de metal de carregamento do coletor de pó.
- Após um atraso de 3 segundos, o coletor de pó liga a ventoinha de aspiração, a luz amarela permanece acesa e para de aspirar após 10 segundos.
5. A unidade principal para de se movimentar e começa a carregar.

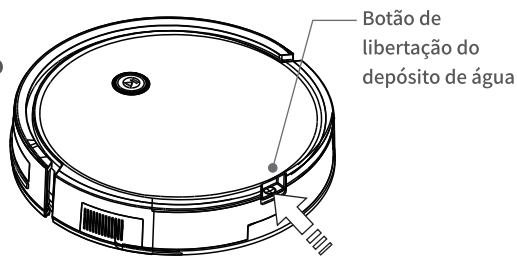


Dicas: carregue totalmente a bateria antes da primeira utilização.

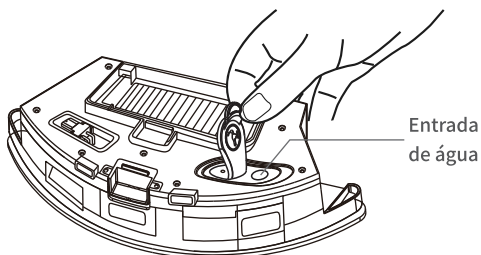


## Funcionamento do depósito de água 2em1

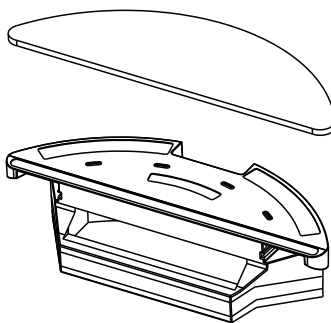
1. Prima o botão de libertação para remover o depósito de água.



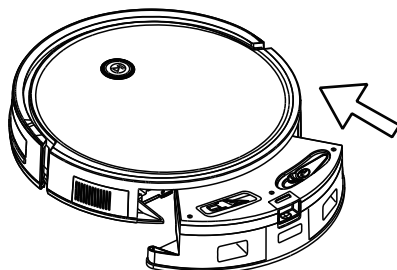
2. Abra a tampa do depósito e encha o depósito de água



3. Aperte a tampa do depósito e coloque o pano de limpeza no fundo do depósito de água.



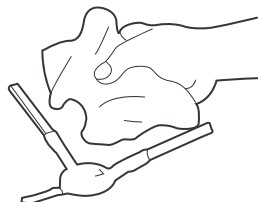
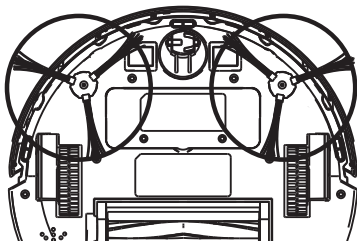
4. Coloque o depósito de água no aspirador.



## Manutenção do produto

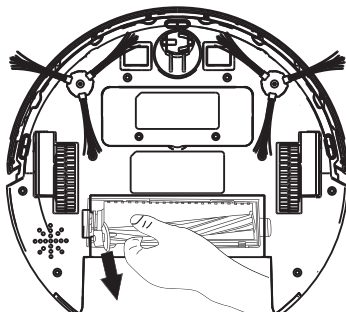
### Limpeza e substituição da escova lateral

Verifique periodicamente o estado das escovas laterais, inspecione-as quanto a danos ou detritos emaranhados e limpe-as com uma ferramenta ou pano de limpeza. Substitua imediatamente as escovas laterais se estiverem danificadas e inutilizáveis, sendo que L e R correspondem a cada lado.



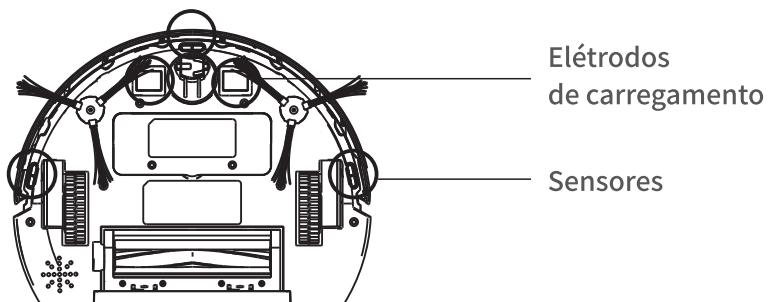
### Manutenção da escova principal (recomendada uma limpeza semanal)

1. Vire a parte inferior da unidade principal para cima e abra a tampa da escova rolante.
2. Retire o eixo da escova rolante e limpe quaisquer detritos e pelos.



### Manutenção de outros componentes da unidade principal

Utilize ocasionalmente uma ferramenta de limpeza ou pano seco e suave para limpar o quadro, elétrodos de carregamento e os sensores.

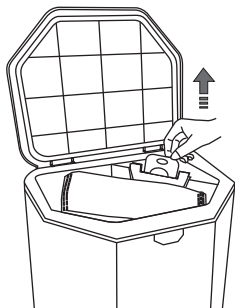


## Substituir o saco de pó

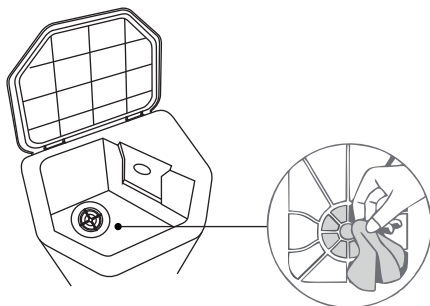
Quando está na altura de substituir o saco de pó, a luz indicadora do coletor de pó irá piscar a vermelho.

1. Abra a tampa do coletor de pó, puxe a pega do saco de pó para cima, retire o saco de pó e deite-o fora.

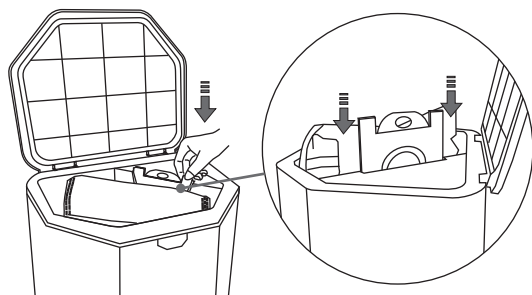
Dica: se puxar a pega do saco do pó para cima, o saco fica selado, impedindo eficazmente a saída de pó ou sujidade.



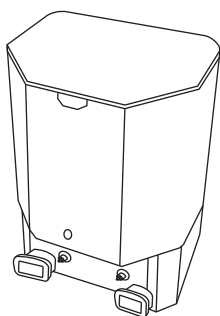
2. Limpe o pó ou sujidade do filtro com um pano seco.



3. Como mostra a ilustração, insira a placa do novo saco de pó na ranhura e instale o saco de pó no lugar.

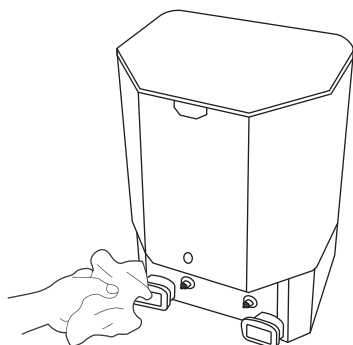


4. Pressione a tampa do coletor de pó para baixo para garantir que está completamente fechada.



### Coletor de pó

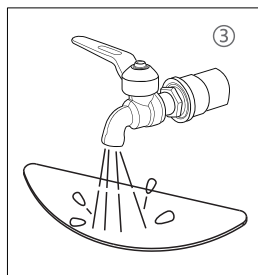
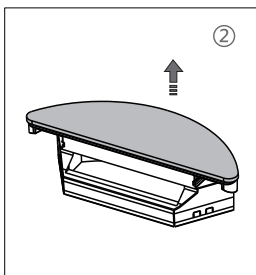
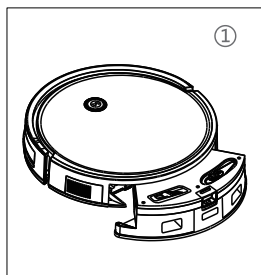
Limpe conforme necessário, limpando os contactos de carga do coletor de pó e a porta de recolha de pó com um pano macio e seco.



## Manutenção dos componentes do depósito de água 2 em 1

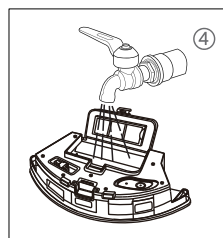
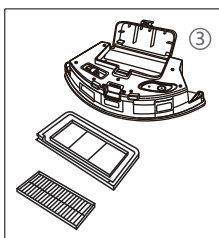
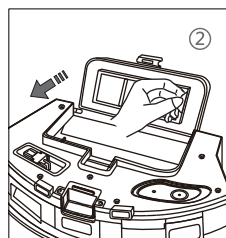
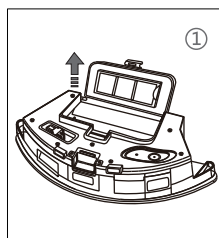
### 1. Limpeza do pano

- ① Desligue a unidade principal e remova o depósito de água.
- ② Retire o pano.
- ③ Lave e seque o pano ao ar.



### 2. Limpeza do coletor de pó e filtros

- ① Abra e despeje o coletor de pó.
- ② Retire o pré-filtro puxando os ganchos conforme indicado.
- ③ Retire o filtro HEPA.
- ④ Limpe o coletor de pó e filtros com um aspirador ou escova de limpeza.



### Bateria

A máquina está equipada com uma bateria de íons de lítio de alto desempenho. Para manter o desempenho da bateria, mantenha a unidade principal num estado carregado durante a utilização diária. Dica: se não for utilizado por muito tempo, carregue totalmente a bateria e desligue a unidade para arrumação e carregue-a uma vez a cada três meses para evitar danos na bateria devido a uma descarga excessiva.

## Resolução de problemas

Sons de aviso	Razões da falha	Soluções
Verifique se as rodas estão presas	Bloqueio das rodas	Verifique e remova quaisquer detritos presos nas rodas.
Verifique se o para-choques frontal está preso.	O para-choques frontal está preso.	Verifique se o para-choques frontal pode recuperar normalmente.
A bateria está fraca, carregue o robô.	Bateria fraca.	A máquina irá entrar automaticamente no modo de carregamento.
Verifique se a escova principal está presa.	Anomalia na escova principal.	Verifique se a escova do meio está presa num cabo e remova o obstáculo.
Desloque a máquina numa área aberta.	A tentativa de fuga da máquina falhou.	Desloque a unidade principal para uma área aberta e premir novamente o botão de limpeza.

## Sintomas de avaria

## Razões da falha

## Soluções

Não consegue carregar	O coletor de pó não está carregado ou tem mau contacto	Certifique-se de que ambas as extremidades do cabo de alimentação do coletor de pó estão ligadas à tomada. Limpe os contactos de carga do coletor de pó e os elétrodos de carga da unidade principal.
O aspirador não consegue regressar ao coletor de pó.	Demasiados obstáculos, sinal não foi recebido, o posicionamento falhou.	Coloque o coletor de pó numa área aberta. Limpe a área de emissão de sinais do coletor de pó. O mapa será regenerado. Se a unidade principal estiver demasiado afastada do coletor de pó e não puder voltar a carregar, volte a colocar manualmente a unidade principal no coletor de pó para carregar.

## Sintomas de avaria

## Razões da falha

## Soluções

A luz vermelha do coletor de pó está a piscar

O saco de pó não está instalado, o saco de pó está cheio, a tampa não está fechada devidamente, anomalia na ventoinha.

Se o saco de pó não estiver instalado, a ação de recolha de pó não será executada. Depois de confirmar que o saco de pó está instalado, a unidade principal executa a ação de recolha de pó. Quando o saco de pó está cheio, a ação de recolha de pó não é executada. Depois de substituir o saco de pó, a unidade principal executa a ação de recolha de pó. Feche corretamente a tampa do coletor de pó. Verifique se a ventoinha está a funcionar mal.

Não se consegue conectar ao wi-fi

Ligação wi-Fi anormal, permissão de localização não ativada, sinal fraco, nome de utilizador ou palavra-passe incorretos.

Reinicie o wi-fi e tente conectar novamente. Ative a permissão de localização da aplicação Tuya nas definições do sistema do seu telemóvel. Certifique-se de que a unidade principal está dentro do alcance do sinal wi-fi. Introduza o nome de utilizador e a palavra-passe wi-fi corretos.

Nota: se os métodos acima referidos não conseguirem resolver o problema, desligue e volte a ligar o interruptor de alimentação na parte lateral da unidade principal para reiniciar a máquina. Se a reinicialização da máquina não resolver o problema, contacte a linha direta do serviço pós-venda da empresa para consulta.



## Parâmetros do produto

1	Modelo	M8 (Gyroscope)
2	Tensão de funcionamento	DC14.8V
3	Tensão aplicável	DC12---DV17V
4	Capacidade da bateria	2600mAh/4400mAh
5	Modo de carregamento	Base de carregamento/Carregamento direto
6	Tempo de carregamento	4-4.5h
7	Potência nominal	Potência da unidade principal: 24W Potência do coletor de pó: 900W +10%
8	Intervalo da temperatura de funcionamento	0°C~45°C
9	Intervalo da humidade de funcionamento	90RH
10	Consumo de corrente em modo de espera	Sem conexão wi-fi: 50mA Wi-fi: 100mA
11	Ruído de funcionamento	≤60dB
12	Fonte de alimentação	18V/1A
13	Vida útil da máquina	Funcionamento contínuo e sem interrupções 7200-8000horas ou utilização intermitente por 3 anos
14	Especificações da unidade principal	Φ330X79mm
15	Peso líquido	6.4kg (unidade principal + coletor de pó)
16	Wi-fi	Suportado
17	Tempo de duração da bateria	120min

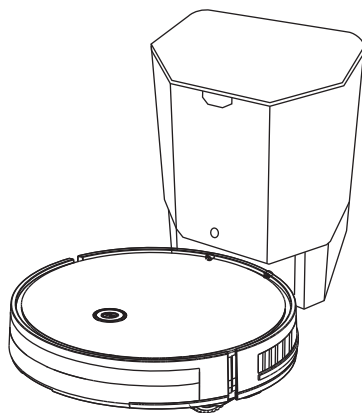
Modos de limpeza	Modo Automático/Recarga/Cantos/Locais/Manual
Componentes de aspiração (orifício de aspiração, escova rolante, aspiração por rolo intercambiável)	Escova rolante com um orifício de aspiração
Ajuste da potência de aspiração	Dois níveis ajustáveis (Primeiro nível – Modo padrão; Segundo nível – Modo de aspiração elevada)
Reconhecimento do pavimento	Deteção por infravermelhos
Estrutura do orifício de aspiração	Amovível para limpeza (não é lavável com água)
Tamanho da escova rolante (comprimento * largura, mm)	155*40mm
Área de limpeza	100m <sup>2</sup>

Depósito de água 2 em 1	com depósito de água de controlo elétrico + coletor de pó
Ajuste do volume de água (nenhum/três níveis disponíveis)	Três níveis ajustáveis (50/70/90min)
Capacidade do depósito de água 2em1 (ml)	160ml (Depósito de água)+220ml (Coletor de pó)
Área de lavagem	Área de lavagem – área de lavagem com um depósito de água cheio de 100m <sup>2</sup>
Pano de lavagem (mm)	282x91mm

# ROBOT ASPIRADOR M8 PARA ASPIRAR Y LAVAR

Modelo: M8

## Manual del usuario



Gracias por su compra, lea atentamente el manual y consévelo para futuras consultas.

# Manual do utilizador

Instrucciones de seguridad .....	1
Componentes del producto .....	4
Características del producto .....	7
Instalación del producto .....	10
Funcionamiento del producto .....	12
Mantenimiento del producto .....	17
Solución de problemas .....	21
Parámetros del producto .....	24

## Instrucciones de seguridad

Lea atentamente estas instrucciones y consérvelas para futuras consultas, un funcionamiento incorrecto que no se ajuste a este manual provocará daños en el producto.

## Precauciones para los componentes del robot aspirador

### Advertencias

01. No desmonte, repare ni modifique la máquina usted mismo, ya que podría dañar el producto y causar peligro.
02. No utilice este producto en entornos con riesgo de incendio o explosión.
03. Utilice únicamente el adaptador de corriente original para este producto, de lo contrario podría causar daños o un incendio.
04. No se pare ni se sienta sobre el producto, ya que podría causar daños o caídas.
05. Si hay polvo adherido a la parte metálica del enchufe, límpielo con un paño seco.
06. Si el adaptador de corriente utiliza un voltaje de 100-240 V, conéctelo correctamente a la toma de corriente para evitar que los niños lo toquen.
07. No lave ni sumerja la unidad principal ni los accesorios electrónicos en agua, ya que puede provocar cortocircuitos y daños.
08. No dañe el cable de alimentación, no coloque objetos pesados sobre él, no lo caliente ni tire de él ni sobre.
09. Cuando utilice el producto, preste atención a la seguridad de niños y ancianos para evitar que tropiecen. No toque las ruedas ni los cepillos laterales con las manos para evitar lesiones (preste especial atención a los niños pequeños).
10. Este producto es sólo para uso doméstico en interiores; no lo utilice al aire libre.
11. No permita que materiales metálicos o conductores entren en contacto con los terminales de la batería, ya que esto puede provocar cortocircuitos.

## ⚠ Precauciones

01. No lo toque con las manos mojadas, ya que puede provocar una descarga eléctrica.
02. No coloque este producto donde pueda caerse, como mesas, sillas o plataformas altas.
03. Este producto es un dispositivo electrónico de precisión; evite la exposición prolongada a la luz solar.
04. No utilice el producto en ambientes húmedos, como cuartos de baño.
05. No coloque el producto cerca de colillas de cigarrillos, encendedores u otras fuentes abiertas de calor.
06. Limpie el producto después de cargarlo.
07. Desconecte el interruptor de alimentación situado en el lateral de la máquina cuando no vaya a utilizarla durante un periodo de tiempo prolongado.
08. Antes de utilizar la máquina, compruebe que el adaptador de alimentación está correctamente conectado a la toma de corriente, ya que una conexión incorrecta puede dañar la máquina.
09. Antes de utilizar este producto, retire todos los objetos frágiles del suelo, como vasos de cristal y lámparas, así como los objetos que puedan quedar atrapados en las escobillas laterales y en la trayectoria de aspiración, como cables y cortinas.
10. Vacíe el contenedor de residuos antes de utilizar la máquina cuando esté lleno.
11. No utilice la máquina para limpiar escombros de construcción.
12. El rango de temperatura de funcionamiento de este producto es de 0 a 40 grados centígrados; no lo utilice en entornos con altas temperaturas.
13. Antes de desechar el producto, extraiga la batería de la máquina. Cuando retire la batería, asegúrese de que el producto no esté conectado a una fuente de alimentación y recicle la batería desechada de forma respetuosa con el medio ambiente.

## Precauciones de seguridad al cargar la batería

### ● Peligro

01. Utilice únicamente el adaptador de corriente asignado, de lo contrario puede causar fugas, sobrecalentamiento o roturas.
02. No cortocircuite ni desmonte la batería; de lo contrario, puede tener fugas, sobrecalentarse o romperse.

03. No transporte ni guarde la batería con objetos metálicos como collares y pinzas para el pelo, ya que pueden producirse cortocircuitos, fugas, sobrecalentamiento o rotura.

04. No arroje la batería al fuego ni la caliente; de lo contrario puede tener fugas, sobrecalentarse o romperse.

### Precauciones

01. Si observa un sobrecalentamiento anormal durante la carga, deje de utilizar la batería inmediatamente para evitar fugas, sobrecalentamiento o rotura.

02. Para prolongar la vida útil de la batería, extráigala y guárdela en un lugar fresco y seco cuando no vaya a utilizarla durante un período prolongado; de lo contrario, puede tener fugas, sobrecalentarse o romperse.

03. No sumerja la batería en agua ni la esponga a líquidos, ya que pueden producirse fugas, sobrecalentamiento o roturas.

04. Si se producen anomalías (como decoloración o deformación), deje de utilizar la batería inmediatamente para evitar fugas, sobrecalentamiento o rotura.

05. Al reciclar, reutilizar o desechar la batería, asegúrese de aislar las partes de los electrodos con cinta adhesiva o materiales similares.

### Advertencias

01. Si la fuga de la batería entra en contacto con la piel o la ropa, enjuague inmediatamente con agua limpia. Si no se trata, puede causar inflamación de la piel u otros problemas.

02. No utilice la batería de carga de este producto en otros dispositivos. Esta batería sólo es adecuada para los robots barredores inteligentes Duronn.

03. Si el revestimiento de la batería se deforma, se hincha o pierde electrolito, no la cargue ni siga utilizándola para evitar cualquier peligro.

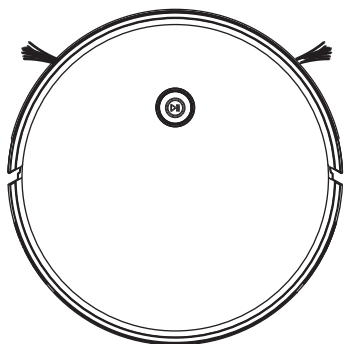
04. No someta la batería a fuertes impactos ni la tire, ya que puede provocar fugas, sobrecalentamiento o rotura.

05. No desmonte la batería, ya que puede romperse, perder electrolito y provocar un riesgo de incendio o explosión.

# Componentes del producto

Lista de piezas de recambio

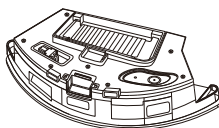
1. Componentes instalados en la aspiradora:



Unidad principal x1



Escobilla rodante x1



Depósito de agua 2en1 x1  
(Con paño de mopa)

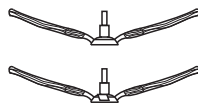
2. Otros componentes:



Control remoto x1



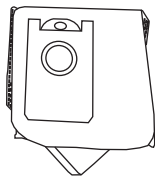
Cable de alimentación x1  
(se conecta al colector de polvo)



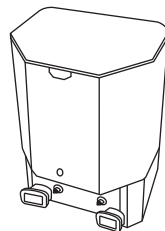
Escobilla lateral x2



Herramienta  
de limpieza x1



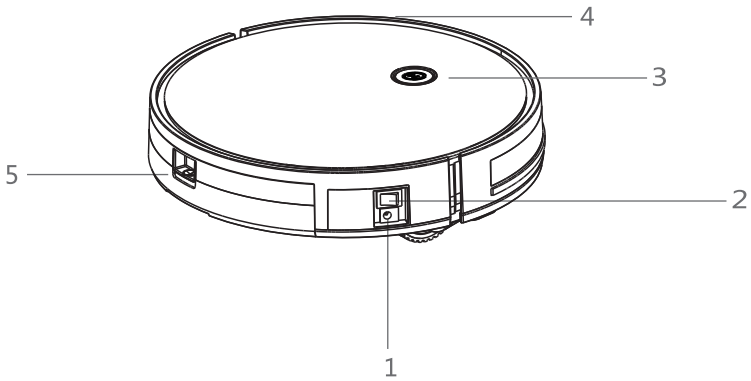
Bolsa de polvo x1



Colector de polvo x1  
(con bolsa de polvo incorporada)

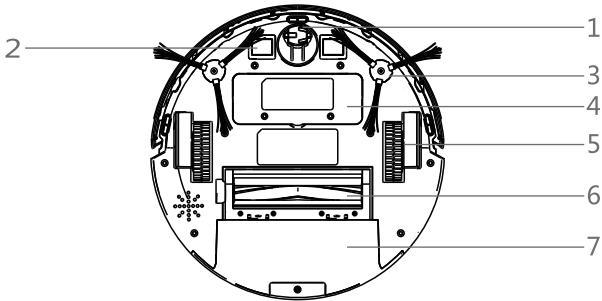
\* Esta lista de componentes es sólo de referencia.





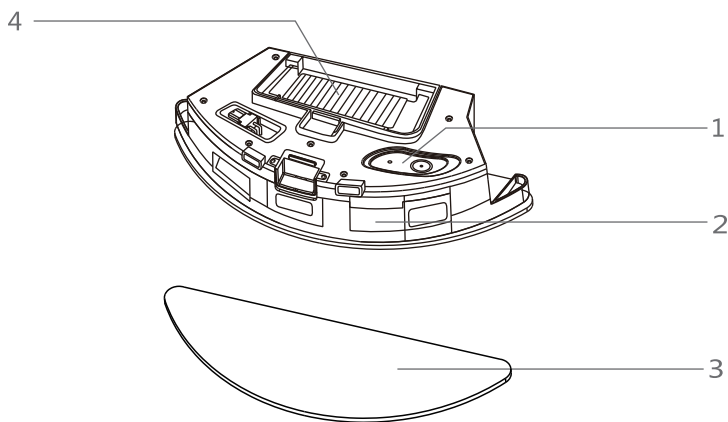
Vista frontal de la aspiradora

- 1. Adaptador de corriente
- 2. Interruptor de encendido
- 3. Botón de encendido/apagado
- 4. Parachoques
- 5. Botón de liberación del depósito de agua



Vista trasera de la aspiradora

- 1. Rueda universal
- 2. Electrodo
- 3. Escobilla lateral
- 4. Tapa de la batería
- 5. Rueda
- 6. Escobilla rodante
- 7. Depósito de agua



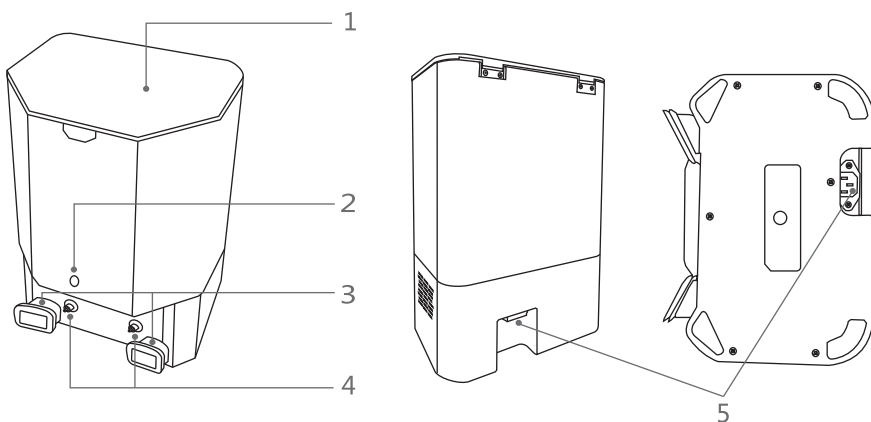
**Depósito de agua 2 en 1**

- 1. Tapa del depósito
- 2. Depósito de agua
- 3. Paño filtrante
- 4. Filtro HEPA

**Vista frontal**

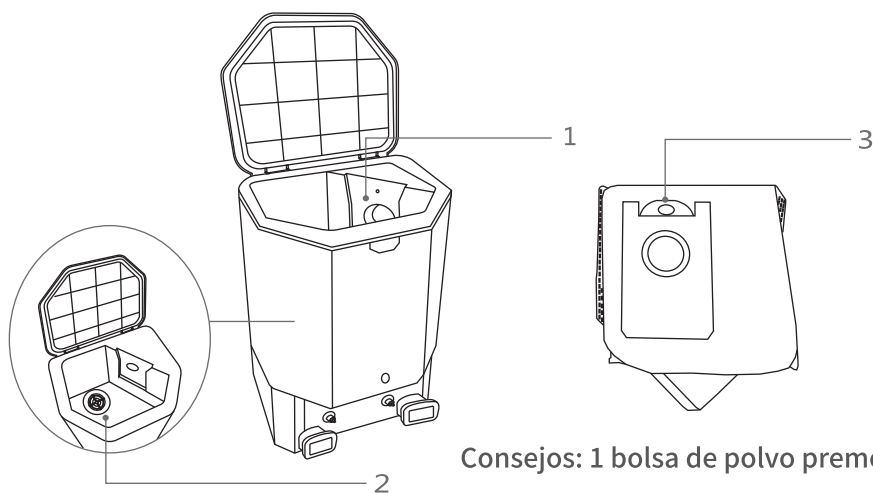
**Vista trasera**

**Base**



**Colector de polvo**

- 1. Tapa superior
- 2. Indicador luminoso
- 3. Tubo de polvo
- 4. Electrodo
- 5. Cable eléctrico



Consejos: 1 bolsa de polvo premontada

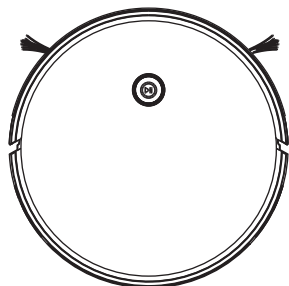
Colector de polvo (con tapa abierta)

1. Conjunto de la bolsa de polvo      2. Filtros (no removible)  
 3. Asa de la bolsa de polvo

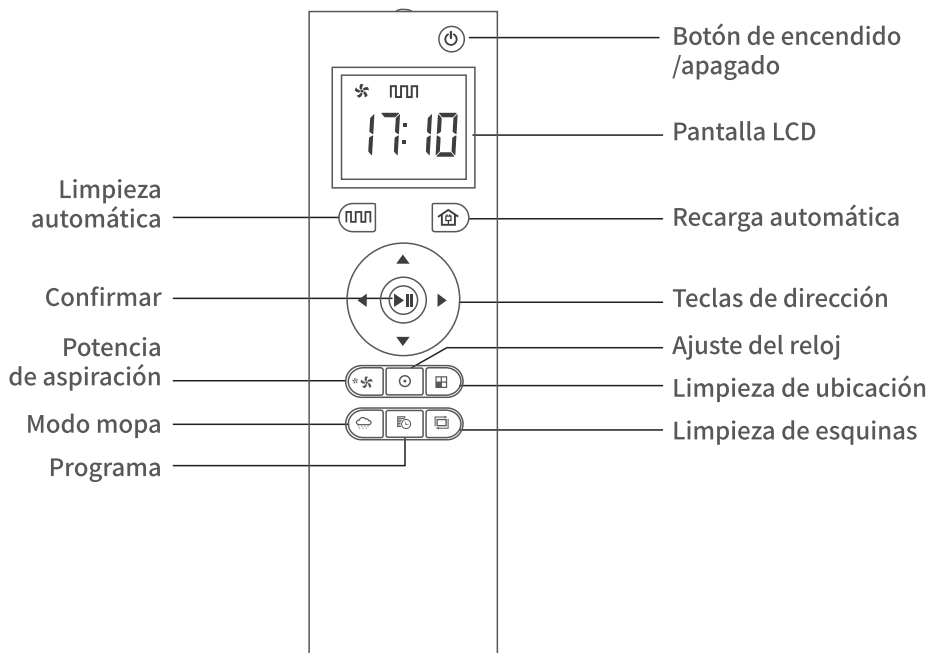
## Características del producto

Ajuste inteligente de la limpieza

Este producto, basado en diferentes modos de limpieza, puede ajustar el modo de limpieza a través del control remoto, lo que aumenta significativamente la eficacia de la limpieza y ahorra un 30% de electricidad.




## Control remoto



### Limpieza automática

Pulse este botón para acceder al modo de limpieza automática.

### Recarga automática

Pulse este botón para poner la máquina en modo de recarga y la pantalla del mando a distancia mostrará .

### ▲ Avanzar/+

En el modo de espera, mantenga pulsado este botón para que la máquina avance continuamente y suéltelo para volver al modo de espera.

En el modo de programación o ajuste de la hora, pulse este botón para aumentar los dígitos.

### ▼ Atrás/-

En modo de espera, mantenga pulsado este botón para que la máquina retroceda continuamente y suéltelo para volver al modo de espera.

En el modo de programación o ajuste de la hora, pulse este botón para disminuir los dígitos.

## ◀ Izquierda

En modo de espera, mantenga pulsado este botón para que la máquina gire continuamente hacia la izquierda y suéltelo para volver al modo de espera.

En modo programación o ajuste de la hora, pulse este botón para cambiar los dígitos de minutos a horas.

## ▶ Derecha

En el modo de espera, mantenga pulsado este botón para girar la máquina continuamente hacia la derecha y suéltelo para volver al modo de espera.

En el modo de programación o ajuste de la hora, pulse este botón para cambiar los dígitos de horas a minutos.

## ▶|| Confirmar

Durante el funcionamiento, pulse este botón para pausar la máquina y púlselo de nuevo para reanudar la tarea. En el modo de programación o ajuste del reloj, pulse este botón para guardar los ajustes.

## \*☘ Interruptor de aspiración

En cualquier modo de limpieza, pulse este botón para ajustar la potencia de aspiración.

## 🕒 Definición de reloj

Pulse este botón para entrar en el modo de ajuste del reloj y pulse confirmar para salir.

## 🏠 Limpieza de zonas

Pulse este botón para que la máquina se aleje del punto de partida, recorra 0,5 metros y vuelva al punto de partida.

## ☁ Modo de mopa

Pulse este botón para cambiar entre los niveles bajo, medio y alto para ajustar la salida de agua.

## 🕒 Programación

En el modo de espera, pulse este botón para entrar en el modo de ajuste de programación y en la pantalla parpadeará un icono. En el modo de programación, pulse este botón para guardar los datos y salir del modo de ajuste de programación y la pantalla mostrará un icono constante. En el modo de programación, mantenga pulsado el botón de programación durante 3 segundos para cancelar la función de programación y borrar el icono de la pantalla.

## Limpieza de esquinas

Pulse este botón para cambiar la máquina al modo de limpieza de esquinas.



Pantalla de la hora de programación



Pantalla de la hora del reloj

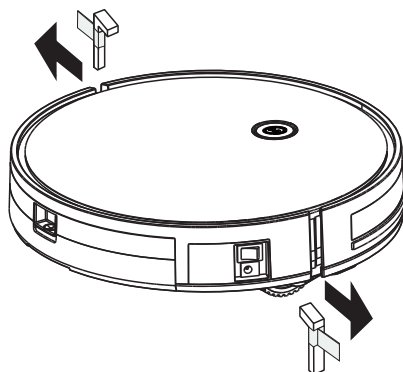
## Indicador luminoso del colector de polvo

1. La luz verde del indicador del colector de polvo está siempre encendida, lo que indica que el colector de polvo está cargado.
2. Cuando la tapa del colector no está bien cerrada/detecta que la bolsa de polvo no está instalada o no está colocada/la bolsa de basura está llena/el ventilador presenta una anomalía, el indicador luminoso rojo parpadea.
3. El colector de polvo está en el proceso de recogida de polvo y la luz amarilla está encendida continuamente.
4. Cuando el sensor de presión de aire no funciona correctamente, la luz verde del separador de polvo parpadea.

## Instalación del producto

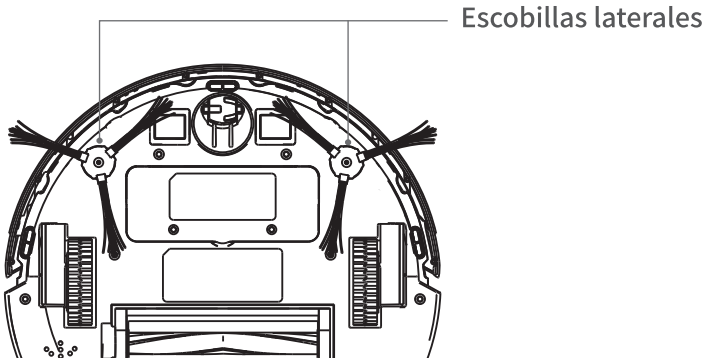
Retire las almohadillas protectoras

Antes del uso, asegúrese de retirar las almohadillas protectoras situadas a ambos lados de la unidad principal.



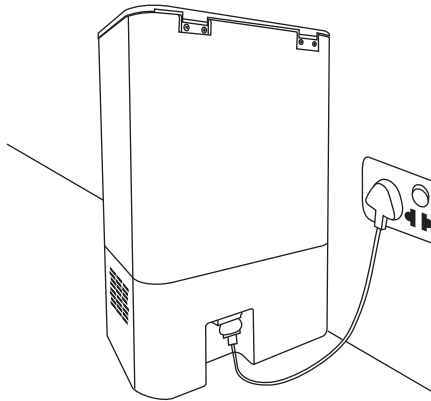
## Instalación de las escobillas laterales

Instale las escobillas laterales en las posiciones correspondientes de la parte inferior de la unidad principal.



Coloque el colector de polvo contra la pared

- Instale la base del separador de polvo en una zona abierta con una buena señal Wi-Fi.
- Tras el encendido, la luz del colector de polvo muestra una luz verde fija.



## Funcionamiento del producto

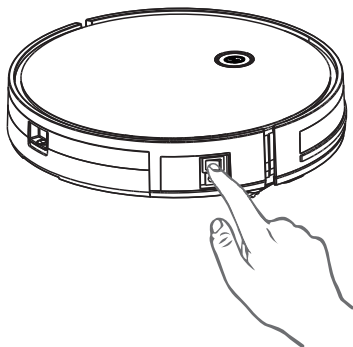
Conectarse a la aplicación inteligente Tuya

1. Escanee el código QR para descargar e instalar la aplicación "Smart Life" o descargue e instale la aplicación "Smart Life" desde una de las principales tiendas de aplicaciones.
2. Abra la aplicación, cree una cuenta o inicie sesión en una cuenta existente siguiendo las instrucciones y añada el dispositivo. (Consulte las instrucciones de conexión wi-fi de la aplicación para obtener más información)



Iniciar la limpieza

Encienda el interruptor de la máquina y el control remoto comenzará a mostrar una luz verde fija y entrará en modo de selección. Si la máquina no se utiliza durante 30 minutos, entrará en modo de reposo.



Pausar

La pausa consiste en cambiar la máquina del modo de funcionamiento al modo de pausa. Puede pausar la máquina mediante las siguientes operaciones:



01. Pulse el botón de control de la máquina para hacer una pausa.
02. Pulse el botón de inicio/parada del control remoto para pausar la máquina. Nota: Después de pausar la máquina, puede reanudar la tarea.

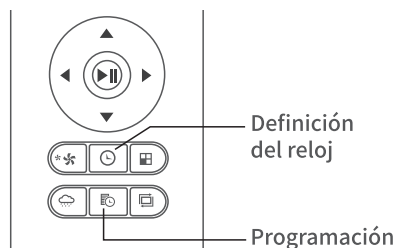
### Métodos de limpieza

Pulse brevemente el botón de control principal y la unidad principal comenzará a limpiar desde el colector de polvo.

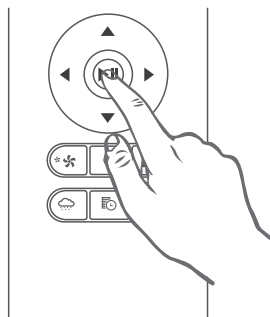
\* Consejo: Para asegurarse de que la unidad principal vuelve al colector de polvo sin problemas, se recomienda empezar la limpieza desde el colector de polvo y no moverlo aleatoriamente durante el proceso de limpieza.

#### 1. Limpieza programada

1) Utilice el "Botón de ajuste del reloj" del mando a distancia para ajustar la máquina a su hora local actual y, a continuación, pulse el "botón Confirmar."



2) Pulse el botón "Programación" para entrar en el modo de programación, ajuste la hora de limpieza programada en el control remoto y pulse el botón de inicio/parada o el botón de programación para completar el ajuste de la programación (Nota: realice la instalación con la máquina mirando hacia usted). Para cancelar una limpieza programada, mantenga pulsado el botón de programación durante 3 segundos.



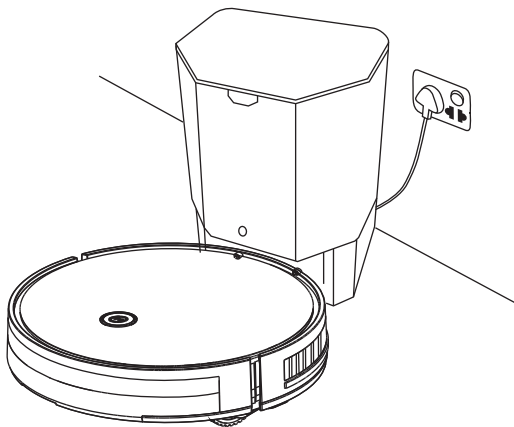
En el modo de limpieza programada, todas las operaciones se realizan con un recordatorio de voz para confirmar.

3) Una vez finalizados los ajustes, la máquina iniciará la limpieza a la hora programada. Nota: En cuanto se apague el interruptor, todas las limpiezas programadas se cancelarán y se reiniciarán.



## Recogida y carga de polvo

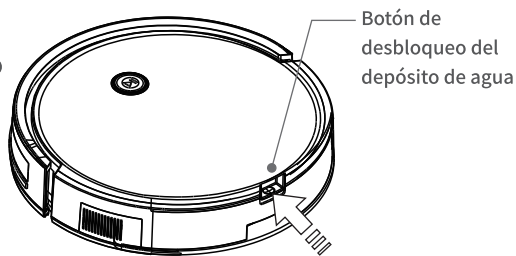
1. Una vez finalizada la limpieza, la máquina comienza a recargarse, vuelve a una cierta distancia delante del colector de polvo y ajusta el ángulo para que la máquina mire hacia el colector de polvo.
2. La máquina se desplaza hacia delante, de cara al colector de polvo con una cierta distancia (optimizando el ángulo de cara al colector de polvo durante el proceso). La máquina se acopla y, si se activa la colisión frontal, la máquina no inicia la carga (si el electrodo de carga frontal de la máquina entra en contacto, inicia la carga).
3. La máquina retrocede una cierta distancia, gira 180 grados y deja de girar cuando la parte trasera (zona del cubo de basura) está alineada con el colector de polvo.
4. La máquina retrocede, se alinea con el colector de polvo y se detiene cuando las dos placas metálicas de la máquina entran en contacto con las dos placas metálicas de carga del aspirador. Después de un retardo de 3 segundos, el colector de polvo enciende el ventilador de aspiración, la luz amarilla permanece encendida y deja de aspirar después de 10 segundos.
5. La unidad principal deja de moverse y comienza a cargar.



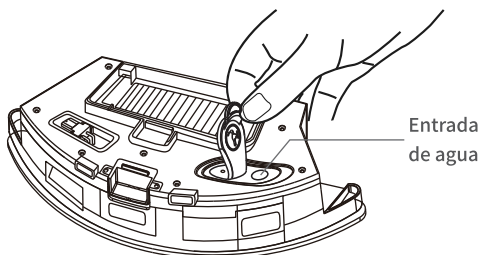
Consejos: Carga completamente la batería antes de usarla por primera vez.

## Funcionamiento del depósito de agua 2en1

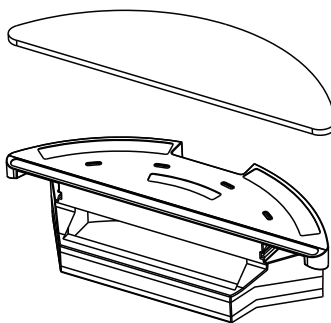
1. Pulse el botón de desbloqueo para extraer el depósito de agua.



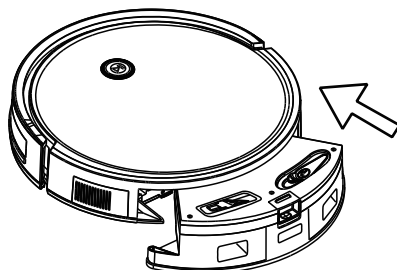
2. Abra la tapa del depósito y llene el depósito de agua



3. Enrosque la tapa del depósito y coloque el paño de limpieza en el fondo del depósito de agua.



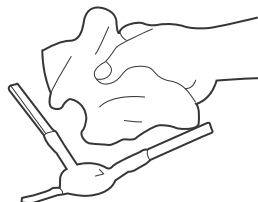
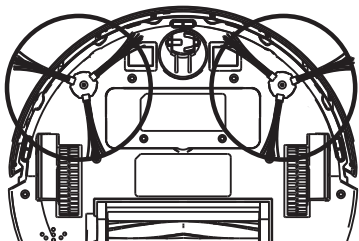
4. Introduzca el depósito de agua en la aspiradora.



## Mantenimiento del producto

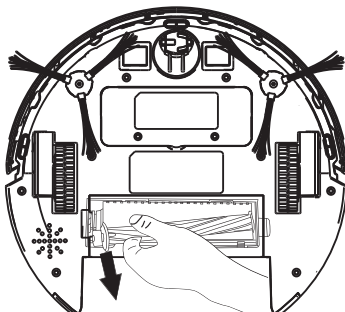
### Limpeza y sustitución de la escobilla lateral

Compruebe periódicamente el estado de los cepillos laterales, inspeccione si están dañados o tienen residuos enredados y límpielos con una herramienta de limpieza o un paño. Sustituya inmediatamente los cepillos laterales si están dañados e inutilizables, donde L y R corresponden a cada lado.



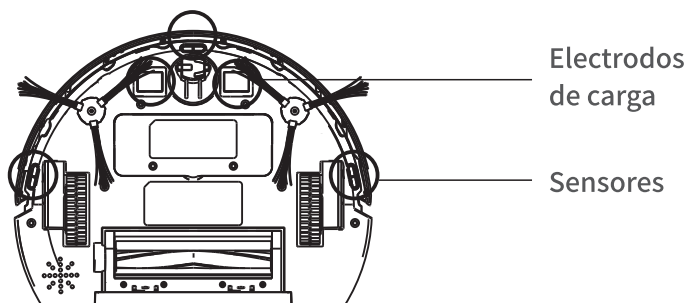
### Mantenimiento de la escobilla principal (se recomienda una limpieza semanal)

1. Gire la parte inferior de la unidad principal hacia arriba y abra la tapa de la escobilla.
2. Retire el eje de la escobilla rodante y limpie los escombros y pelos.



### Mantenimiento de otros componentes de la unidad principal

Utilice de vez en cuando una herramienta de limpieza o un paño seco y suave para limpiar el marco, los electrodos de carga y los sensores.

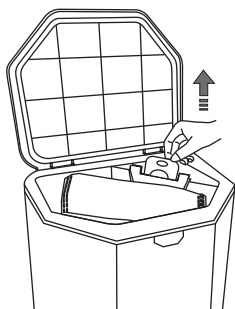


## Sustituir la bolsa de polvo

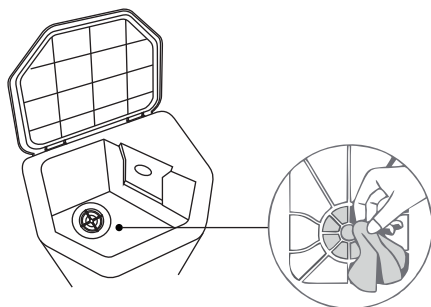
Cuando llegue el momento de sustituir la bolsa, el indicador luminoso del aspirador parpadeará en rojo.

1. Abra la tapa del colector de polvo, tire del asa de la bolsa de polvo hacia arriba, extraiga la bolsa de polvo y deséchela.

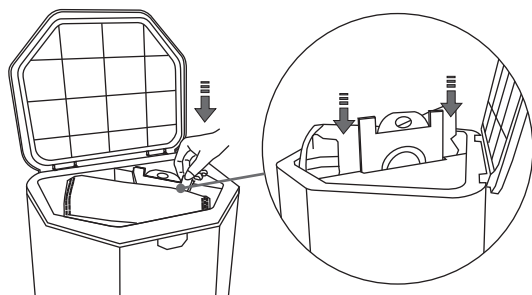
Consejo: Si tira del asa de la bolsa de polvo hacia arriba, la bolsa se cierra herméticamente, evitando así que salga polvo o suciedad.



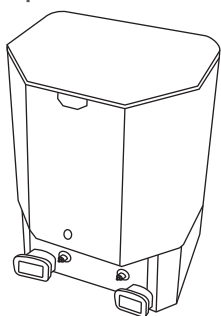
2. Limpie el polvo o la suciedad del filtro con un paño seco.



3. Como se muestra en la ilustración, inserte la placa de la nueva bolsa de polvo en la ranura e instale la bolsa de polvo en su lugar.

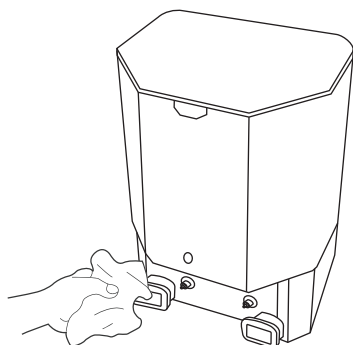


4. Presione la tapa del colector de polvo hacia abajo para asegurarse de que está completamente cerrada.



#### Colector de polvo

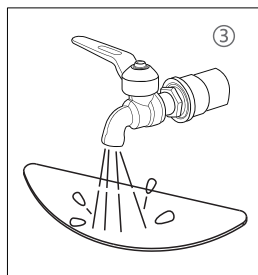
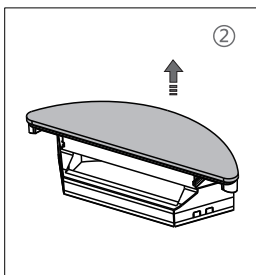
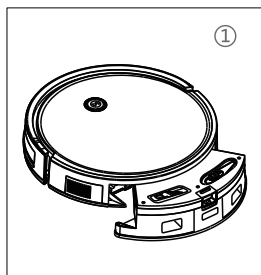
Si es necesario, limpie los contactos de carga del colector de polvo y el orificio del colector de polvo con un paño suave y seco.



## Mantenimiento de los componentes del depósito de agua 2 en 1

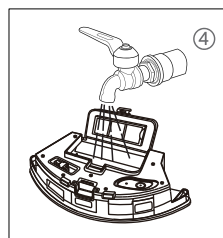
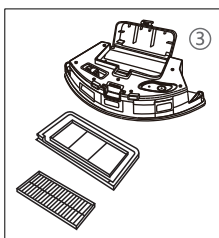
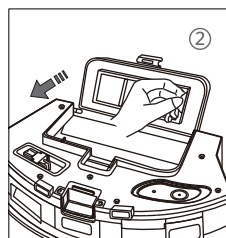
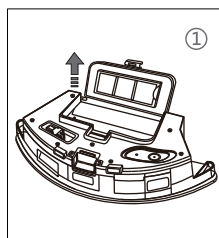
### 1. Limpieza del paño

- ① Apague la unidad principal y retire el depósito de agua.
- ② Retire el paño.
- ③ Lavar y secar al aire el paño.



### 2. Limpieza del colector de polvo y filtros

- ① Abra y vacíe el colector de polvo.
- ② Retire el prefiltro tirando de los ganchos como se muestra en la figura.
- ③ Retire el filtro HEPA.
- ④ Limpie el colector de polvo y los filtros con una aspiradora o un cepillo de limpieza.



### Batería

La máquina está equipada con una batería de iones de litio de alto rendimiento. Para mantener el rendimiento de la batería, mantenga la unidad principal cargada durante el uso diario.

Consejo: Si no va a utilizar el aparato durante mucho tiempo, cárguelo completamente, apáguelo para guardarlo y recárguelo una vez cada tres meses para evitar daños en la batería por sobre descarga.



# Solución de problemas

Sonidos de advertencia	Razones del fracaso	Soluciones
Compruebe que las ruedas están bien sujetas	Bloqueo de ruedas	Compruebe y retire cualquier residuo atascado en las ruedas.
Comprobar la fijación del parachoques delantero.	El parachoques delantero está atascado.	Compruebe que el parachoques delantero puede recuperarse con normalidad.
La batería está baja, cargue el robot.	Batería fraca.	La máquina entrará automáticamente en modo de carga.
Compruebe que la escobilla principal está montada.	Anomalía de la escobilla principal.	Compruebe que la escobilla central está sujeta a un mango y elimine el obstáculo.
Mueva la máquina en una zona abierta.	El intento de escapar de la máquina fracasó.	Coloque la unidad principal en un lugar abierto y pulse de nuevo el botón de limpieza.

## Síntomas de avería

## Razones del fracaso

## Soluciones

No se puede cargar

El colector de polvo no está cargado o tiene un mal contacto

Asegúrese de que ambos extremos del cable de alimentación del aspirador estén conectados a la toma de corriente. Limpie los contactos de carga del aspirador y los electrodos de carga de la unidad principal.

La aspiradora no puede volver al colector de polvo.

Demasiados obstáculos, señal no recibida, posicionamiento fallido.

Coloque el colector de polvo en un área abierta. Limpie la zona de emisión de señales del colector de polvo. El mapa se regenerará. Si la unidad principal está demasiado lejos del colector de polvo y no puede recargarla, vuelva a colocar manualmente la unidad principal en el colector de polvo para recargarla.

## Síntomas de avería

## Razones del fracaso

## Soluciones

La luz roja del colector de polvo parpadea.

La bolsa de polvo no está instalada, la bolsa de polvo está llena, la tapa no está bien cerrada, mal funcionamiento del ventilador.

Si la bolsa de polvo no está instalada, la acción de recogida de polvo no se llevará a cabo. Tras confirmar que la bolsa de polvo está instalada, la unidad principal realiza la acción de recogida de polvo. Cuando la bolsa de polvo está llena, la acción de recogida de polvo no se lleva a cabo. Después de sustituir el saco, la unidad principal realiza la aspiración. Cierre correctamente la tapa del colector de polvo. Compruebe que el ventilador no funciona correctamente.

No se puede conectar a wi-fi

Conexión wi-fi anormal, permiso de localización no activado, señal débil, nombre de usuario o contraseña incorrectos.

Reinicie el wi-fi e intente conectarse de nuevo. Active el permiso de localización de la app Tuya en los ajustes del sistema de su teléfono. Asegúrese de que la unidad principal está dentro del alcance de la señal wi-fi. Introduzca el nombre de usuario y la contraseña wi-fi correctos.

Nota: si los métodos anteriores no resuelven el problema, apague y vuelva a encender el interruptor de alimentación situado en el lateral de la unidad principal para reiniciar la máquina. Si el reinicio de la máquina no resuelve el problema, póngase en contacto con la línea directa del servicio posventa de la empresa para que le asesoren.

## Parâmetros do produto

1	Modelo	M8 (Gyroscope)
2	Tensión de funcionamiento	DC14.8V
3	Tensión aplicable	DC12---DV17V
4	Capacidad de la batería	2600mAh/4400mAh
5	Modo de carga	Base de carga/Carga directa
6	Tiempo de carga	4-4.5h
7	Potencia nominal	Potencia de la unidad principal: 24W Potencia del colector de polvo: 900W +10%
8	Rango de temperatura de funcionamiento	0°C~45°C
9	Rango de humedad de funcionamiento	90RH
10	Consumo de corriente en modo de espera	Sin conexión wi-fi: 50mA Wi-fi: 100mA
11	Ruido de funcionamiento	≤60dB
12	Fuente de alimentación	18V/1A
13	Vida útil de la máquina	Funcionamiento continuo e ininterrumpido 7200-8000 horas o uso intermitente durante 3 años
14	Especificaciones de la unidad principal	Φ330X79mm
15	Peso neto	6.4kg (unidad principal + colector de polvo)
16	Wi-fi	Soportado
17	Duración de la batería	120min

Modos de limpieza	Modo Automático/Recarga/Esquinas/Zonas/Manual
Componentes de aspiración (orificio de aspiración, escobilla rodante, rodillo de aspiración intercambiable)	Escobilla rodante con orificio de aspiración
Ajuste de la potencia de succión	Dos niveles ajustables (Primer nivel - Modo estándar; Segundo nivel - Modo de alta succión)
Reconocimiento del suelo	Detección por infrarrojos
Marco con orificio de aspiración	Desmontable para su limpieza (no lavable con agua)
Tamaño de la escobilla rodante (longitud * anchura, mm)	155*40mm
Zona de limpieza	100m <sup>2</sup>

Depósito de agua 2 en 1	con depósito de agua de control eléctrico + colector de polvo
Ajuste del volumen de agua (ninguno/tres niveles disponibles)	Tres niveles ajustables (50/70/90min)
Capacidad del depósito de agua 2em1 (ml)	160ml (Depósito de agua) +220ml (Colector de polvo)
Zona de lavado	zona de lavado con un depósito lleno de 100m <sup>2</sup>
Paño de lavado (mm)	282x91mm