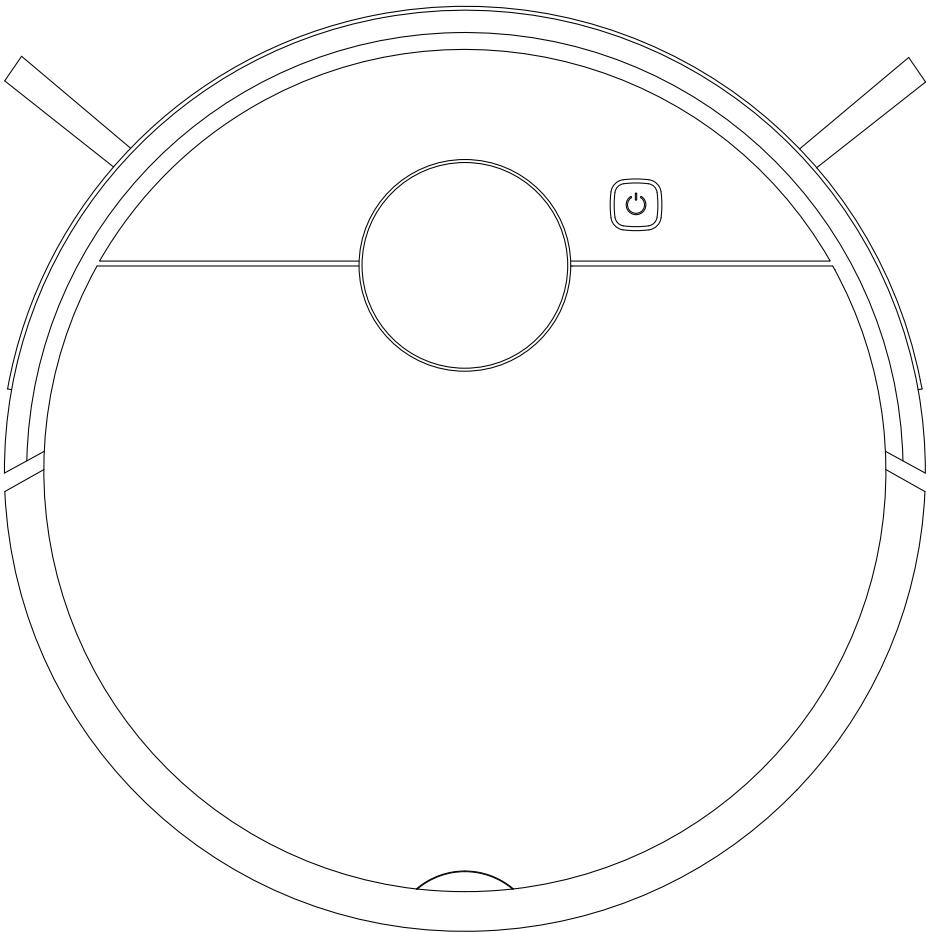


# Gyroscope Robot Vacuum Cleaner (Model:J02 Series)

## User Manual



Please read the user manual carefully before using the product  
and retain for future reference

## **Important safety instructions**

### **Warning**

Before using the robot for the first time, please read the following instructions carefully and pay attention to all warnings, even if you are familiar with handling electronic equipment. Store these operating instructions in a safe place for future reference.

### **General use**

1. Check whether the voltage and power are consistent with the voltage shown on the nameplate of the equipment before use.
2. Do not allow the power cord to hang over the edge of a table or counter. Do not bend the power cord excessively or apply heavy weights to it, as this may result in damage to the power cord, fire or electric shock.
3. Do not use a damaged charger or operate any equipment after it has malfunctioned or been damaged in any way. Return the equipment to the nearest authorized service facility for inspection, repair or adjustment.
4. This product should only be used with the charger supplied with this product. Do not use other chargers as this may result in product damage, short circuit or fire.
5. The external flexible cable of the adapter cannot be replaced. If the flexible cable of this adapter is damaged, you need to discard the adapter and replace it with the same type of adapter.
6. This product is designed for indoor floor cleaning, do not use it outdoors (e.g. on open terraces), on any surface other than the ground (e.g. sofas, tables, etc. ...) , or in any commercial or industrial environment.
7. Do not use this product on unprotected raised surfaces such as attic floors, open decks or furniture tops.
8. Do not use the robot in ambient temperatures above 104°F (40°C), below 39°F (-4°C), or with liquids or sticky substances on the floor.
9. Before using the product, move the cords away from the floor or place them on their side to prevent them from being pulled by the sweeper during the sweeping process and affecting the cleaning results.
10. In order to prevent blocking the product in a complex home environment and avoid damage to valuables, please organize the floor, removing lightweight items (such as plastic bags) and fragile items (such as vases) before cleaning.
11. Children over 8 years of age should be supervised by their parents to ensure that they do not play with the equipment.
12. This product is not intended for use by impaired people (including children) with limited physical, sensory, or mental ability or lack of experience and knowledge unless they are supervised or instructed in the use of the product by a person responsible for their safety (CB).

13. This product may be used by children 8 years of age and older and people with physical, sensory, or mental impairments or lack of experience and knowledge, provided they have been supervised or instructed in the safe use of the product and understand the hazards involved. Children must not play with the product.
14. Keep the main brush cleaning tool out of the reach of children.
15. Do not place any objects (including children and pets) on the product, whether it is running or not.
16. Keep hair, loose clothing, fingers and all body parts away from the product's vacuuming openings.
17. Do not use this product on burning objects such as cigarettes.
18. Do not use the product on shag carpet (product effectiveness may also be reduced on dark colored carpet).
19. Do not use this product to clean hard or sharp objects (e.g. decorative waste, glass and nails).
20. Do not use the laser scanner cover, main unit cover, or crash buffer to handle the product.
21. Before cleaning or servicing the product, it must be turned off and unplugged from the outlet.
22. Do not use wet cloths or liquid cleaning products.
23. Please use the product according to the instructions, any loss or damage caused by improper use is the responsibility of the user.

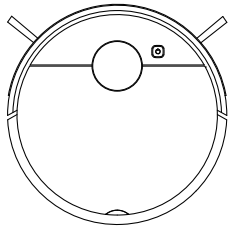
## **Battery & Charging**

24. This product contains batteries that can only be replaced by a technician.
25. Do not disassemble, repair or modify the battery or charging station.
26. Keep the charging cradle away from heat sources (e.g., heat sinks).
27. The battery must be removed from the unit before it is scrapped.
28. When removing the battery, the product must be disconnected from the power supply.
29. Batteries must be disposed of safely, don't throw away used batteries, give them to a professional recycling organization.
30. Do not wipe or clean the charger pins with a damp cloth or wet hands.
31. If the power cord is damaged, stop using it immediately and it must be replaced by the manufacturer, its service agent or a similarly qualified person to avoid danger.
32. Ensure that the product has been disconnected from the power supply before shipment.
33. It is recommended to use the original packaging.
34. If the product is not used for a long time, please fully charge it and turn off the power, then store it in a cool and dry place.
35. Charge the battery at least every 3 months to avoid over-discharge.

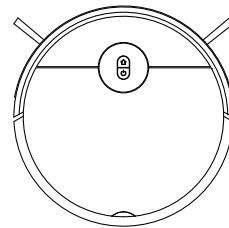
36. To meet RF exposure requirements, maintain a distance of 20 cm or more between this equipment and personnel during operation of the equipment.

37. To ensure compliance, operation at closer distances than this is not recommended and the antenna used for this transmitter shall not be located in the same position as any other antenna or transmitter.

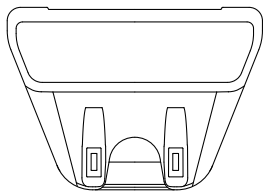
## II: Product Description/2.1 Package Contents



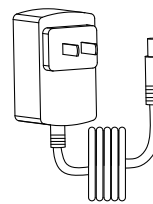
J02 Main Body



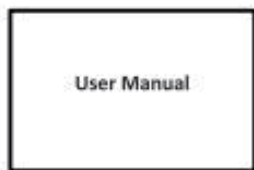
J03 Main Body



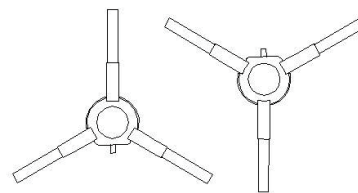
Charging Station



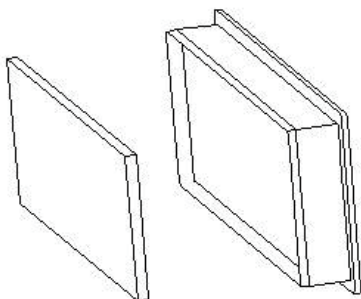
AC- adapter



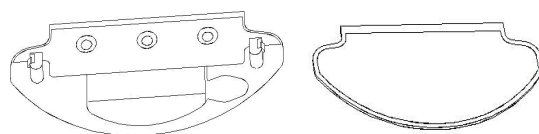
User Manual



Side Brush



High-Filter+HEPA

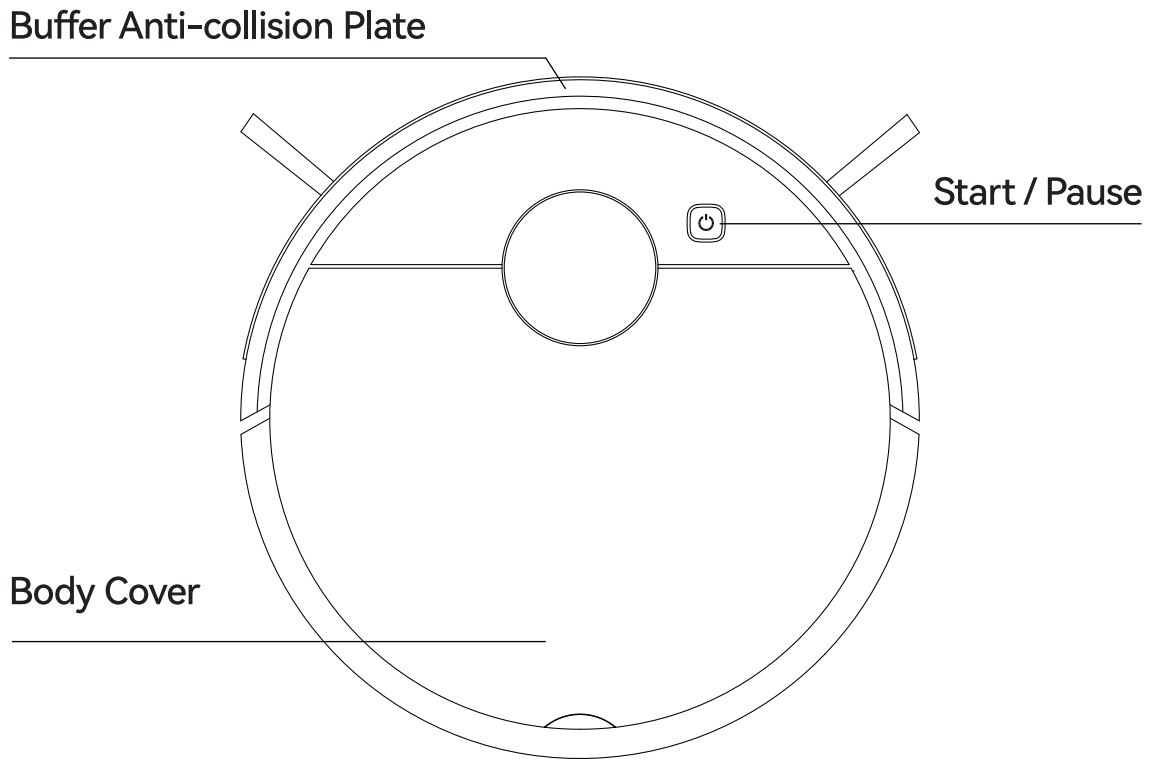


Mop holder + Mop

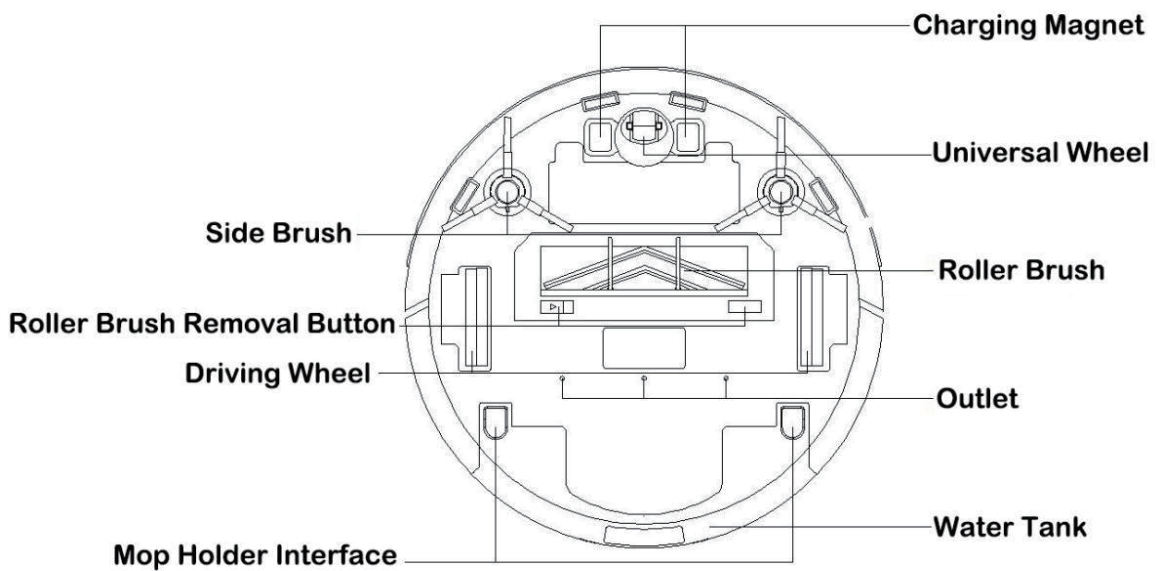


## II: Product Description/2.2 Component Name

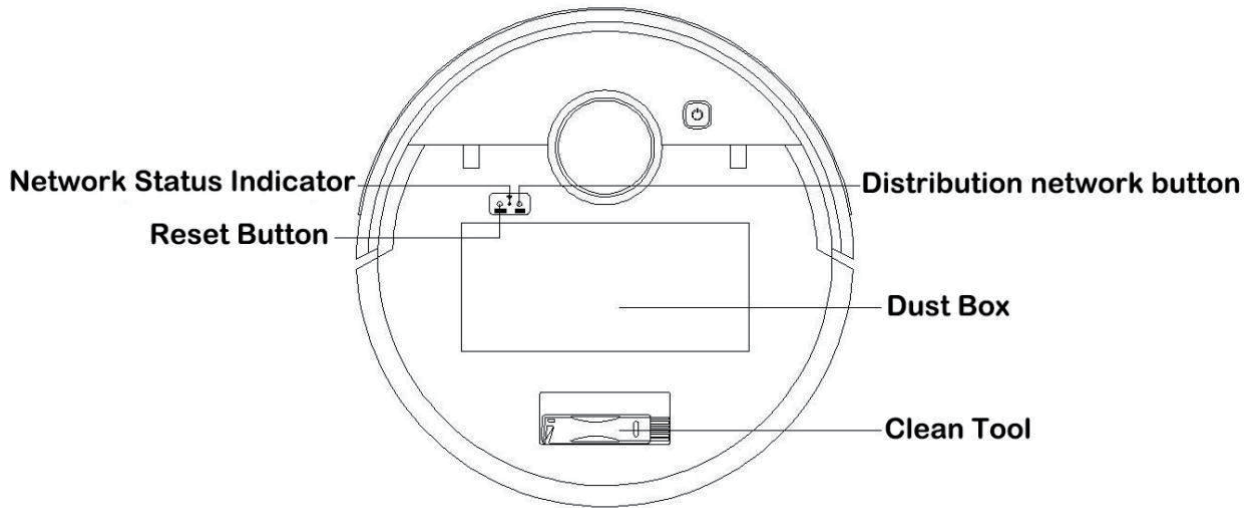
### 1. Front of main unit



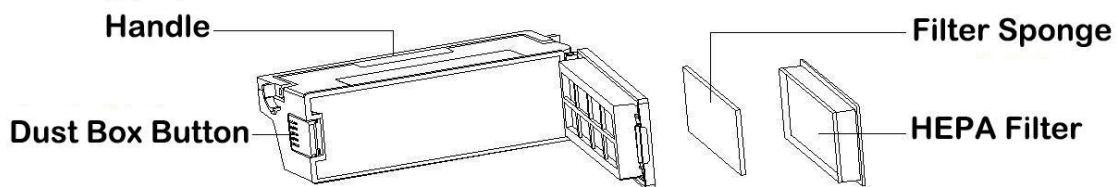
### 2. Back of main unit



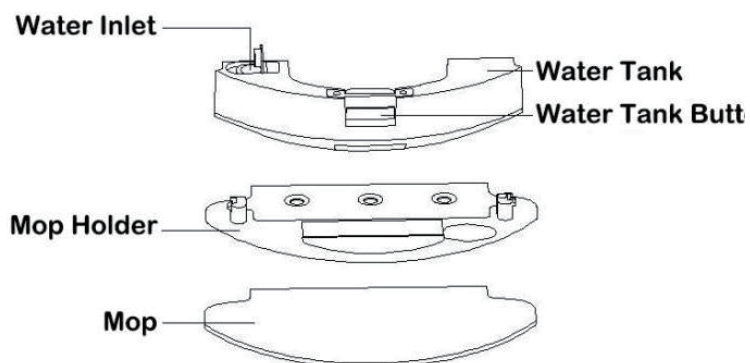
### 3. Inside the main unit (under the flap)



### 4. Dust box



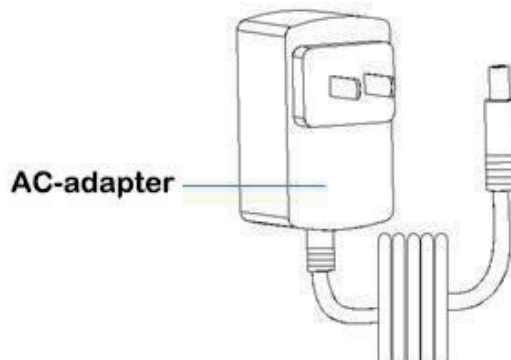
### 5. Water tank and mop assembly



## 6. Charger



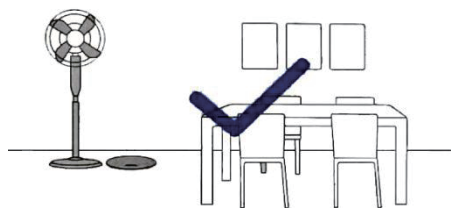
## 7. Power adapter



### III: Product use/3.1 Precautions

#### 1. Organize the space to be cleared

Before use, please arrange furniture such as tables and chairs, floor fans and other items neatly, store low items such as scales, and organize the maximum space for cleaning.



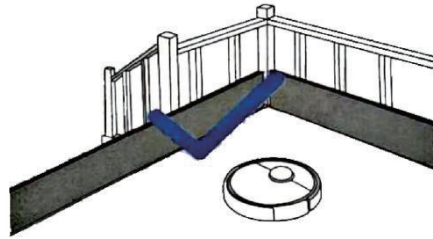
#### 2. Open the door to the room and help the robot explore

To better help the Laser Sweeper explore the entire space and create a map of your home, open the door to each room before using it for the first time.



### 3. Preventing drops

Please avoid standing in front of the main unit, thresholds and narrow places such as aisles, so that the main unit does not recognize the area to be swept.



If your home carpet has a fringed edge, roll the edge under the carpet ahead of time.

\*Do not use the mopping function on carpet.



Organize cords, rags, slippers and other debris on the floor to enhance the efficiency of the sweeper.



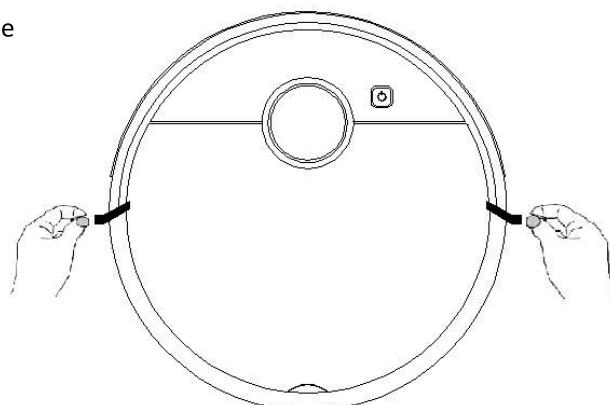
Please avoid standing in front of the main unit, thresholds and narrow places such as aisles, so that the main unit does not recognize the area to be swept.



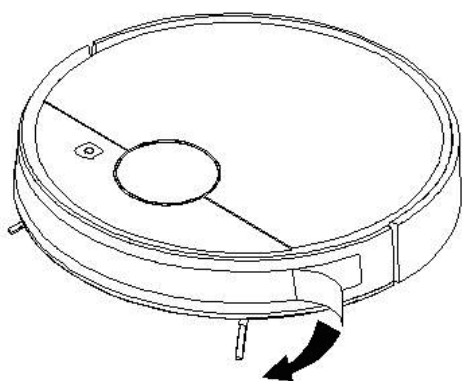
### III: Product use/3.2 Preparation

1. Remove the guard.

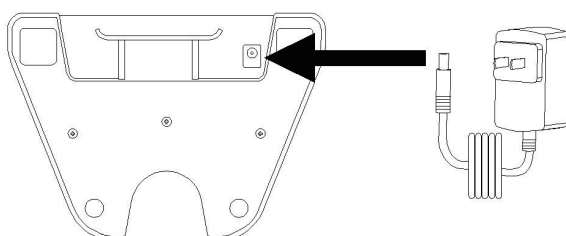
Remove the guard strip from the mainframe



Remove protective film from cushion bumper

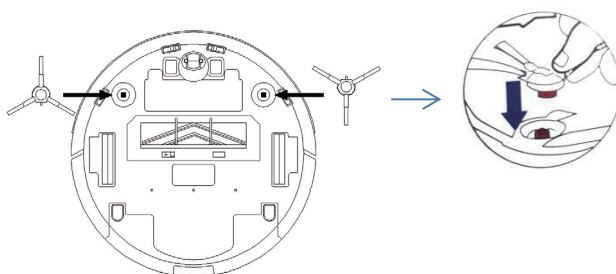


2. Install the Power Adapter to the Rechargeable Holder



3. Correct installation of side brushes

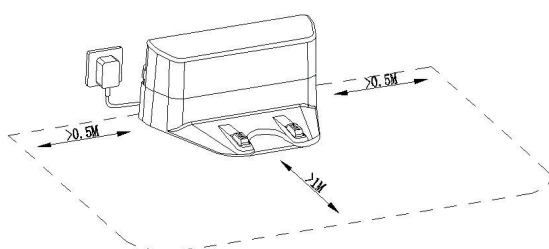
When you hear a "click", it is in place.



### III: Product Use/3.3 Mainframe Charging

#### 1. Finding the right place to return to the charger

Place the rechargeable seat against the wall on a flat surface and do not place objects within 0.5M to the left, right and 1.0M in front.

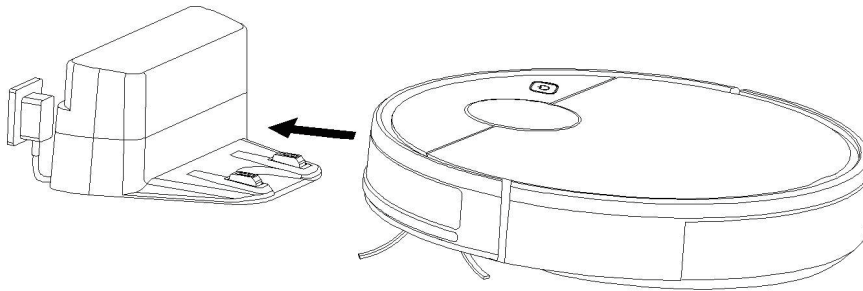


## 2. Charge

For first time use, please fully charge. Charging time is about 7 hours.

When charging, do not load the mop assembly to ensure safe charging and to prevent damage to the floor from wet, water-permeable mopping cloths.

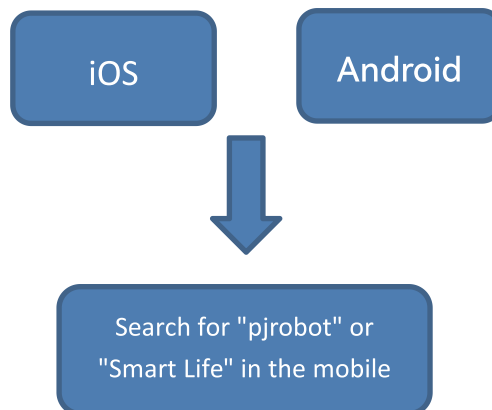
During charging, the white light of the button breathes and flashes, and when charging is finished, the green light is always on.



### III: Product Use/3.4 APP Download

Download the "pjrobot" or "Smart Life" APP to experience more features of the laser sweeper.


Method: Open your cell phone app store, search for "pjrobot" and "Smart Life" to download and install.



### Warm Tip:

- First, turn on WiFi (2.4GHz) and Bluetooth on your phone at the same time.
- To fully enjoy all the available features, It is recommended to control your Robot via the “pjrobot” App.
- Before you start, make sure that:
- Your phone is connected to a Wi-Fi network.
- Your phone is running iOS 10.0 (or above) or Android 5.0 (or above).
- The 2.4GHz band wireless signal is enabled on your wireless router.
- The robot is attached to the Charging station to ensure it has enough power during Wi-Fi setup.
- Connection steps:
- 1. Open the application and create a user account of your own.
- 2. Make sure your phone is connected to the WIFI network, then press and hold the "WIFI button" on the robot for 3-5 seconds and the indicator light will flash.
- 3. Click the "+" icon and "Add Device" in the application, then select Add Discovery Device.
- 4. Enter or confirm the WIFI network and password again, and select Next to confirm and complete.
- After connecting successfully, you can control the Robot via the App.
- With the App, you can select cleaning at your desired suction level, schedule cleaning, view the cleaning map, set up "Forbidden Edit", "Virtual wall line" zones, or "Room edit" check the
- network connection status, and access additional features.

### WI-FI indicator

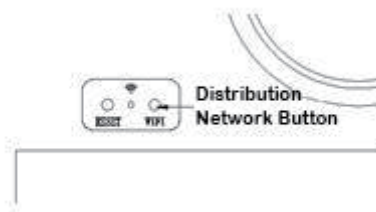
	Off or flashing red	Not connected or waiting
	Flashing red	Networking in progress
	White light always on	Network was configured successfully
	Turned off	Networking failed

### Tip:

If you encounter any problems during the WI-FI setup process, please refer to the "Troubleshooting > WI-FI Connection" section of this manual.

### III: Product Use/3.5 Distribution Networks

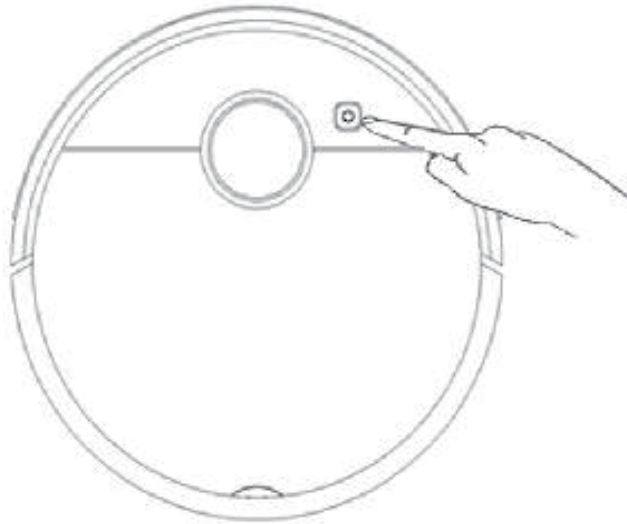
Open the flip cover, press the WIFI button of the network distribution button for 3-5 seconds, and follow the voice prompts.



### III: Product Use / 3.6 Mainframe Operation

When building a map for the first time, follow behind the host to help troubleshoot some unfriendly glitches. For example, the host may get stuck on a low piece of furniture, see below a potential solution.

- Pad furniture if available.
- Cover the bottom of the furniture to keep the mainframe out.
- Set up a virtual wall in the app to block host access.




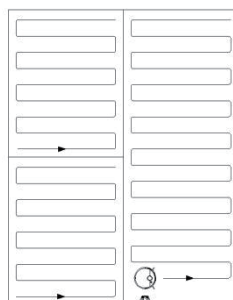
#### 1. Power on/off

Press and hold the main unit button  for 3 seconds. Enter the power-on state.

#### 2. Start sweeping


The first time you start sweeping, make sure that the product is on the rechargeable seat and is fully charged.

Click the host button  and the host begins to build a map in the manner of sweeping along the edges and then bowing.







### 3. Pause (media player)

While the main unit is working, press the main unit button  briefly to pause the main unit.

### 4. Wake-up call

All the indicator lights on the panel of the main unit will go out if the pause time exceeds 10 minutes. If you need to start the work again, please press the main unit button  to wake up the main unit, and then press the main unit button  to start the main unit to continue the original work after the indicator light is on.

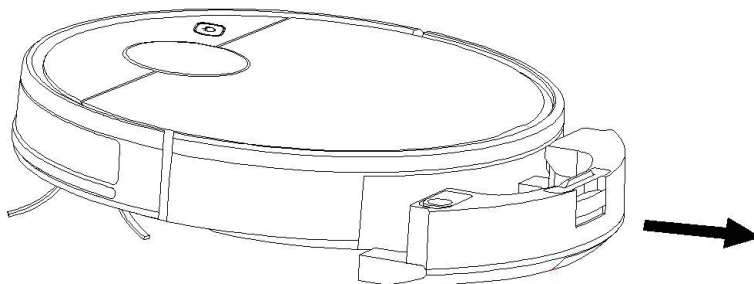
### 5. Return to the charger to charge

View APP Function Definition

\* After the main unit has finished working, it is recommended not to turn it off and keep the main unit in the charging state for better performance of the next work.

### III: Product Use/3.7 Start Mopping Function

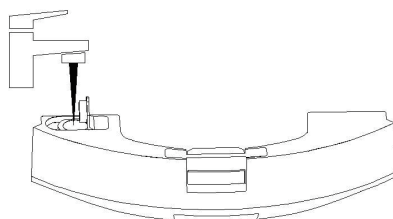
1: Remove the water tank.



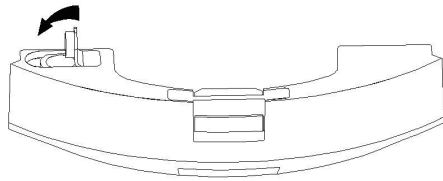
2: Open the water filler cap and fill with fresh water.

\*Pure or softened water is recommended for longer tank life.

\*It is strictly prohibited to use dirty water containing fine sand and particulate matter, which can directly damage the automatic water supply system of the sweeping motor.

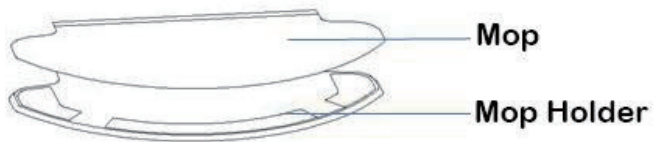


3. Cover the water filler cap.

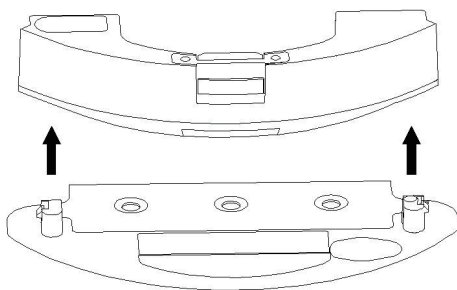


4. Stick a mop to the mop.

Tank Adhesive Washable Mop



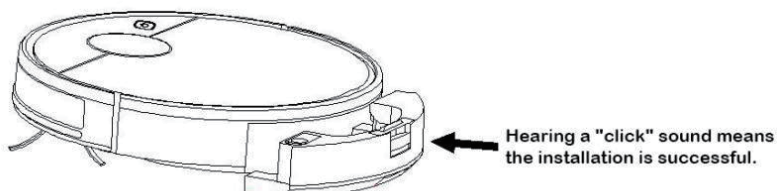
5. Installation of the towing plate to the water tank



6. Load the water tank assembly back to the main unit

NOTE: \*Do not use this feature on carpet. Remove the trailing board and empty the water tank when using on carpet.

\*Dispose of the mop and empty the water tank after mopping is completed.

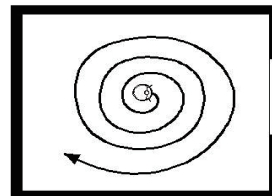


### III: Product Use/3.8 Sweeping Mode Selection

In order to adapt to different floor conditions and realize deep cleaning, this product is equipped with a variety of sweeping modes, which can be selected on demand through the remote control or switched to any mode by selecting on the APP.

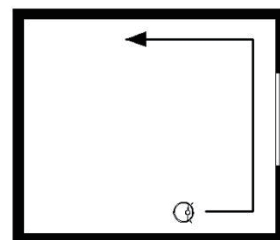
#### 1: Fixed-point mode

Applicable to the more concentrated garbage ground environment, the host cleans in the designated area for centralized cleaning with a "spiral" route, diameter of 1 meter within the scope of the completion of the cleaning, back to the origin, such as touching the obstacles in the middle of the spiral cleaning for 2 minutes. It is realized through the APP.



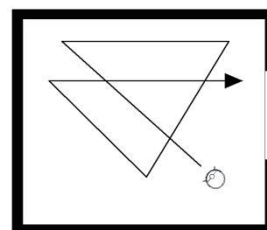
#### 2: Along-wall mode

Suitable for sweeping the corners of the room, the main body moves along the perimeter of fixed objects (such as walls). Row sweeping, and it returns to the charging seat after sweeping. It is realized through the APP.



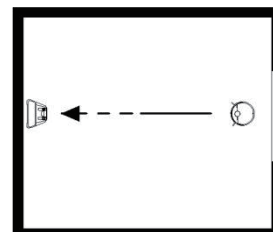
#### 3: Automatic mode

Suitable for home environments with thick carpets. The machine has difficulty to walk on the carpter; the host machine chooses a random walk to clean. Operated by APP.



#### 4: Return to charging mode

During the cleaning process, the host can sense its own power shortage and activate the "return charging" mode independently to find the charging seat automatically. You can also start the "return charging" mode by operating it on the APP.



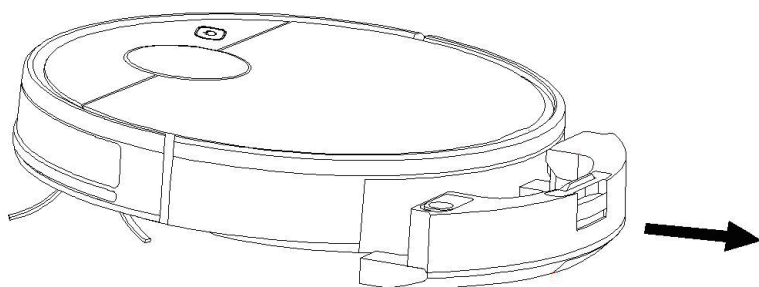
### IV: Routine Maintenance / 4.1 Product Maintenance Frequency

In order to keep the main unit in optimal use, please refer to the following table for maintenance of components

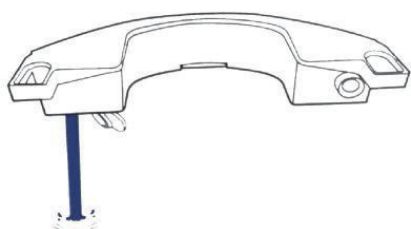
Character radical	Maintenance frequency	Replacement frequency
Washable mop	After each use	Replace every 60 washings
Tractor	After each use	
Brush stroke (in painting)	Every 2 weeks	Replacement every 4-6 months
Middle brush	Every 1 week	Replacement every 8-12 months
Filter cotton	Every 1 week	Replacement every 4-6 months
High efficiency filtration	Every 1 week	Replacement every 4-6 months

#### IV: Routine maintenance/4.2 Cleaning the water tank

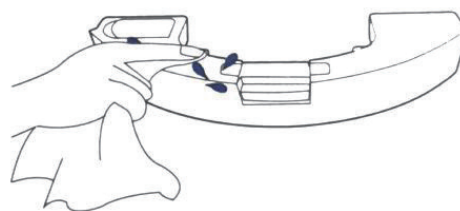
1. Remove the water tank



2. Empty the water inside the water tank

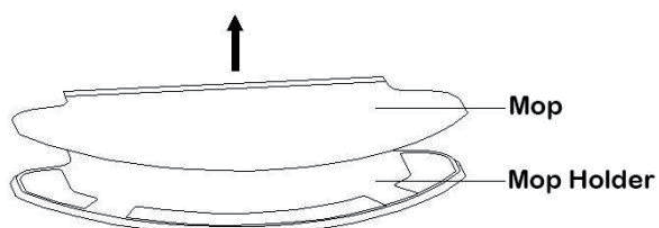


3. Wipe dry or dry naturally

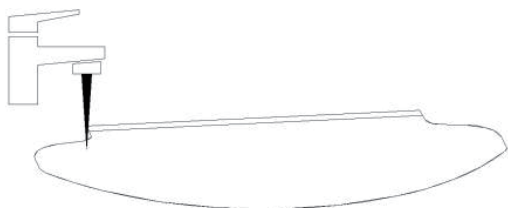


#### IV: Routine maintenance/4.3 Clean washable mop.

1. Remove the washable mop

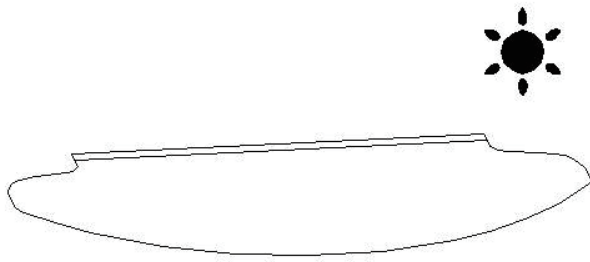


2. Washable mop.



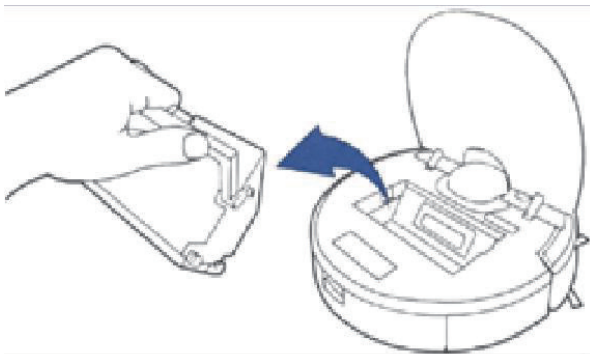
\* Be careful not to use strong acid or alkali cleaners.

### 3. Drying

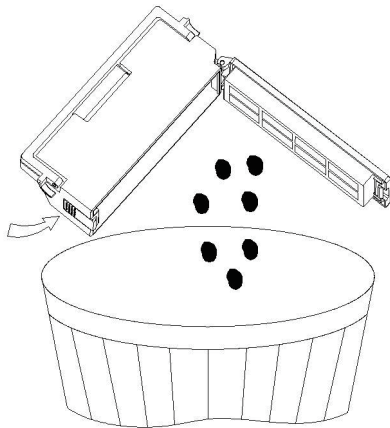


## IV: Routine maintenance/4.4 Dust box and filter media.

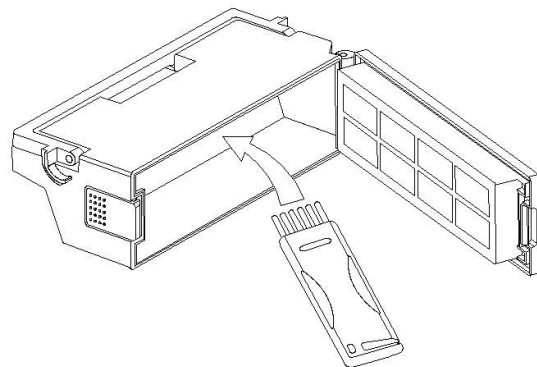
### 1. Open the flap and take out the dust box



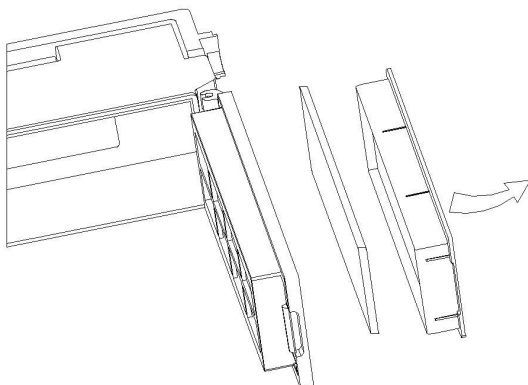
### 2. Press the button latch on the side of the dust box and dump the trash.



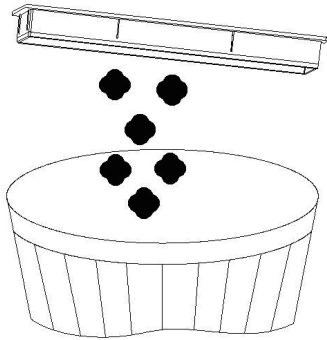
### 3. Clean the dust box



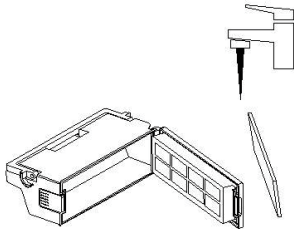
### 4. Remove the fine filter wool and high efficiency filter assembly.



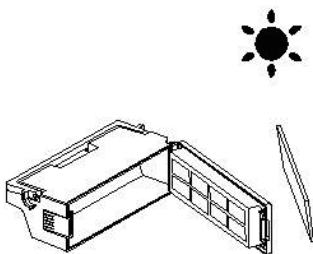
5. Dump trash from the high-efficiency filter assembly.



6. Rinse the dust box and cotton with water.



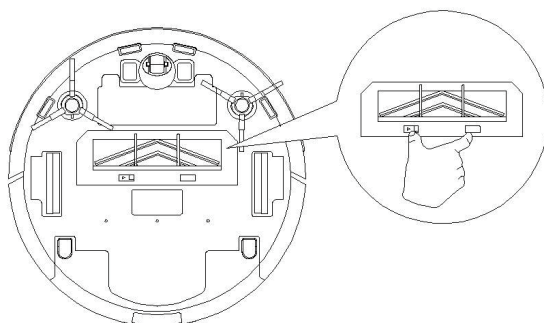
7. Air dry the dust box and fine filter cotton.



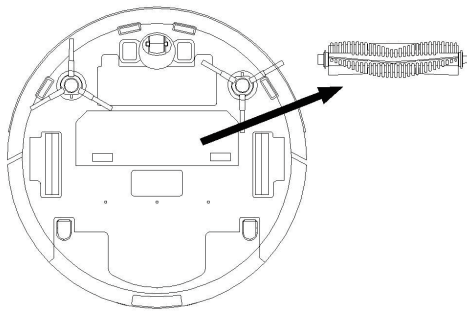
#### IV: Routine Maintenance / 4.5 Roller Brush and Side Brush.

1. Clean the roller brush

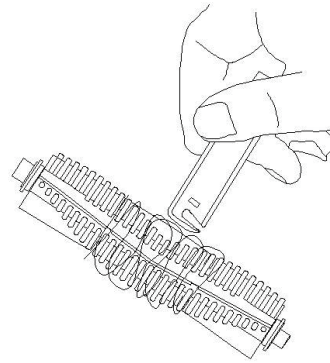
① Open the brush roller cover.



② Remove the roller brush.

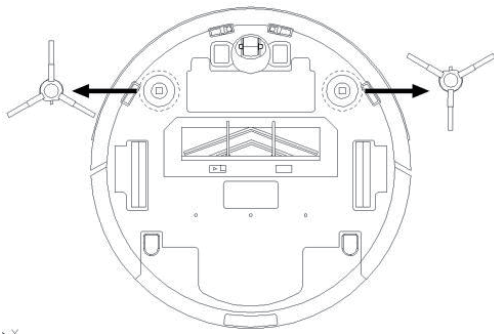


③ Clean the roller brushes with the cleanup gadget.

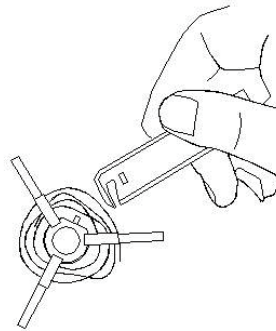


## 2. Cleaning side brushes

① Remove the side brush



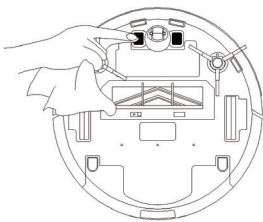
② Clean the side brushes with the cleanup gadget



## IV: Routine Maintenance/4.6 Charging Poles, Recharging Seat Poles, Drive Wheels and Casters

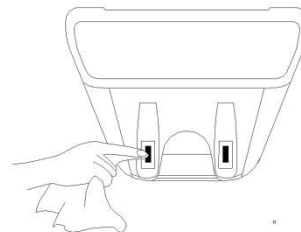
1. Clean the charging pole piece.

\*Wipe with a dry rag

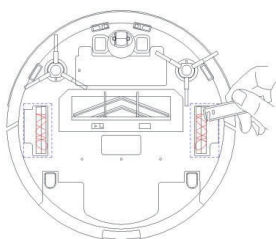


2. Clean the rechargeable seat pole piece.

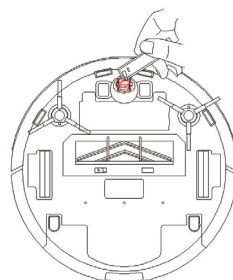
\*Wipe with a dry rag




3. Clean the drive wheels.



4. Clean the gimbals.

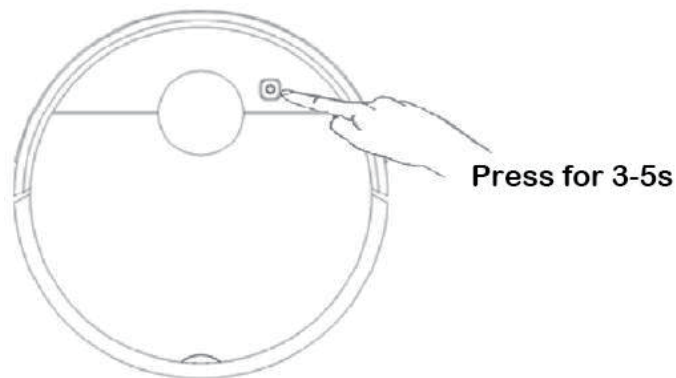


#### IV: Routine maintenance/4.7 Shutdown storage

If you don't use it for a long time, please fully charge it before storing it, then press  for 3 seconds to turn it off, and insist on replenishing it every 1.5 months to prevent the battery from over-discharging.

\* After the main unit has finished working, it is recommended not to turn it off and keep the main unit in the charging state for better performance of the next work.

\* If the battery is over-discharged or not used for a long time, the product may not be able to charge. Please contact our after-sales service for maintenance. Do not disassemble by yourself.



#### V: Status Indicators

light effect	state of affairs
Green light flashing	Standby
White color flashing while charging, green light is always on when fully charged	Charge
Green light always on	Sweeping in progress
Firmware upgrade in the original state, the firmware upgrade is completed, green light always on	Firmware Upgrade

#### VI: APP Function Definition

Sequences	Responding to APP commands	Status Overview	Functional overview
1	Global sweep	Start, pause, resume sweeping	You can start and continue global sweeping through the app



2	Spot cleaning	Start and stop sweeping	The machine enters the spiral spot cleaning state or other cleaning forms of focused cleaning.
3	Recharge	Start, pause, continue recharging	Machine starts charging back, find the charging cradle to recharge
4	Adjustment of suction power	Three levels: quiet, standard, powerful	
5	Schedule a cleaning appointment	<ol style="list-style-type: none"> <li>1. Setting time can be accurate to the minute</li> <li>2. The corresponding suction power can be set: quiet, standard, strong, the default standard</li> <li>3. The corresponding amount of water can be set: low, medium, high</li> <li>4. The sweeper can be booked for global cleaning</li> </ol>	When the appointment time arrives, the device side will start sweeping and sweep all the reachable areas of the home machine
6	water level	Low, Medium, High, Default: Medium	Adjust the water volume according to the preset level on the device side.
7	Light switch	On, off	<p>On: Lights according to the preset state to do the corresponding changes, such as: flashing, always on, etc.</p> <p>Off: Device-side lights off</p>
8	Volume settings	Mute, volume control	<p>Mute: the device side does not broadcast the relevant voice</p> <p>Volume: After setting, the device side can adjust the volume to broadcast the corresponding voice according to the preset size.</p>
9	Do not disturb mode	Open: start time, end time; closure	<ol style="list-style-type: none"> <li>1. Turn on the Do Not Disturb mode, and set the relevant time: the machine in the time, will not start the breakpoints renewed sweeping, booking sweeping; work in the process of turning off the lights and voice</li> <li>2. Shutdown: the machine responds instantly to commands according</li> </ol>

			to the relevant power level and reservation time
10	Remote firmware upgrade	Initiate, cancel upgrade	Users can check whether there is a new software version on the device side through the APP, and when there is a new software version, the user can choose to upgrade it
11	Other common app instructions	Login, Register, Share Device, Add Device, Device Message Feedback, Delete Device, Device Name Naming, User Guide, Repair Point, Feedback	
12	Restore factory settings	Add factory reset to the "settings screen".	Restore factory default settings on the device side, e.g., volume, lights, etc., clear the pre-sweeping record; disconnect the network connection, etc.
13	Voice pack switching	Operation switching on app	Switch between English and Chinese configurations on the APP and the machine responds to different voice packs
14	Path information		Actual path information for the machine on the device side
15	Charging block information	Charging stand icon	The location of the charging cradle is recognized on the device side and displayed as a specific icon in the map
16	Robot position information	Robot icons	The location of the charging cradle is recognized on the device side and displayed as a specific icon in the map
17	Battery level information	Battery percentage	The device recognizes the battery level in time and transmits it to the APP for display.
18	Sweeping time information	Single sweeping area: square meter calculation	Machine global sweeping, zone sweeping, where to sweep, time timing of single sweeping for scheduled sweeping
19	Sweeping area information	Single sweeping time: min calculation	Machine global sweeping, zone sweeping, sweeping wherever you want, area statistics of single sweeping for scheduled sweeping
20	Machine	Pause, charging back, cleaning,	Identifies the state the machine is in


	status information	standby, charging, malfunctioning, upgrading, etc.	
21	Firmware version information	Version information on the device side	Version information on the device side
22	Consumables Accumulation		Accumulated use time of side brush, roller brush and hepa in H
23	Sweeping records	1. Accumulated area (m <sup>2</sup> ), accumulated times, accumulated time (min) 2. Single sweeping record: date of sweeping, time of starting sweeping, area of sweeping (m <sup>2</sup> ), time of sweeping (min).	Users can check the cleaning record of the machine in the previous period through APP
24	Exception information	E.g. wheel stuck fault message	
25	Equipment Information	Displays the wifi name, signal strength, RSSI value, IP address, Mac address, etc. of the current device connection	

## VII: Troubleshooting/7.1 Troubleshooting Common Problems

If you encounter the following situations during the use of the product, you can verify the table below and solve the problem independently.

serial number	Fault condition	Possible causes	Solution
1	Host can't connect to App	Incorrect router username and password	Configure the router, making sure you enter the correct router username and password.
		The host is not within the network signal coverage of the router	Make sure the host is within the network signal coverage of the router
		The host is not in the pending configuration state.	Only when the host is in the pending configuration state can it be configured for the network. Power on the host, open the cover of the host,

			press the WiFi button for 2 seconds, and hear the beep, that is, the surface host enters the pending configuration state.
		No 2.4G network (4G network) is used.	Configure 2.4G network distribution when networking
		The wrong App application may have been downloaded.	Please scan the QR code of this product or go to the app market to download "pjrobot" or "Smart Life" App.
4	The water tank came off.	The installation is not in place	When installing, please push hard and hear a "click" to ensure that the tank is installed in place.
5	Side brushes come off.	The installation is not in place	You need to hear a "click" when installing to make sure the side brushes are in place.
6	Can't find the charger.	Incorrect placement of the rechargeable seat	Please follow the instructions in the "Charging the main unit" section of the manual to correctly place back into the charging cradle.
		Rechargeable seat is disconnected or has been artificially moved	Check that the charger is connected to the power supply. Do not artificially move the position of the charger
		Mainframe suspended for more than 90 minutes	It is recommended that you do not pause the mainframe for more than 90 minutes. To ensure the smooth operation of the mainframe, please allow the mainframe to complete the cleaning on its own, and avoid pausing each move as much as possible.
		The recharge route is blocked. For example, the door to a room with a rechargeable seat is closed.	Please keep the recharge route clear.
7	The main unit returns to	When the home environment	Tidying up the home

	charge before cleaning is completed	is very complex, the cleaning efficiency will be reduced and you may not be able to finish cleaning.	environment.
8	The main unit is not charging	The charging pole piece of the main unit and the rechargeable holder are not in full contact.	Make sure that the charging poles of the main unit and the charging cradle are fully aligned and that the  key is blinking in white color. Check whether the charging pole piece of the main unit and the rechargeable base is dirty, you can refer to the "Daily Maintenance" section of the manual to clean it.
		Charger not connected to power adapter	Ensure that the rechargeable cradle is connected to the power adapter
		Prolonged periods of non-use result in over-discharge of the battery.	It is recommended to use this product frequently, if it is not used for a long time resulting in the inability to charge, please contact the after-sales service personnel.
9	When the main unit is working, it runs loudly.	Side brushes, roller brushes get tangled, dust boxes, filter material gets clogged, etc.	Regular cleaning and maintenance of side brushes, roller brushes, dust boxes, filter material, etc. is recommended.
		The main unit enters Power Sweep mode	Recommend changing to standard or quiet sweeping mode
10	The mainframe is in trouble while working	The host is entangled or obstructed by loose wires on the floor, sagging curtain fabrics or carpet whiskers.	The host will try various methods to get out of the trap on its own, if it fails to get out of the trap, it is recommended to use manual help
		The main unit may be caught on furniture of similar height to the main unit.	It is recommended that furniture be padded, or artificially covered
		When using the scrubber function, the ability of the main unit to cross obstacles may be reduced.	Assist the host computer in troubleshooting problems when crossing sloped areas

11	When the host is working, there are cases of chaotic route deviation, repeated sweeping and small area leakage. (If there is a large area that has not been swept for a while, the host will make up for the leakage on its own, don't worry, sometimes the host will re-enter the room that has been swept, it may not be a repeat cleaning, but just make up for the leakage on its own)	Cords, slippers and other objects placed on the floor affect the normal operation of the sweeper.	Before working on the host, please tidy up the scattered wires, slippers and other objects on the floor to minimize the placement of scattered items on the floor.
		It may be due to the drive slipping on the floor as the host climbs steps, thresholds, and door bars, thus affecting the host's judgment of the whole-house environment.	We recommend that you close the door to the area and sweep the area alone, and you will be returned to the starting point when the sweep is complete.
		Due to different home environments, individual areas cannot be accessed by the mainframe for cleaning	It is recommended to organize the home environment to ensure that the main unit is accessible for cleaning.
		Working on freshly waxed, polished floors or smooth tiles results in reduced friction between the drive wheels and the floor.	It is recommended to wait for the floor wax to air dry before using it
12	The host cannot connect to the home Wi-Fi network	Incorrect home Wi-Fi username or password entered	Please enter the correct Wi-Fi username or password
		The host is outside the range of the Wi-Fi signal	Make sure that the main unit is within Wi-Fi signal range.
		The host is not ready to distribute the network when the network is connected.	Press the WiFi light flashes slowly in the power-on state to indicate that the host is ready for network distribution.
13	Ash leakage during mainframe operation	Dust Box Exit Stuck with Foreign Objects	Remove the dust box and clean any foreign objects from the dust box opening
14	Dirt on the bottom of the rechargeable seat	Dust falling from the main unit's roller brush	Follow the instructions for "Routine Maintenance/Cleaning of Main Unit Brushes".

**VII: Troubleshooting/7.2 Wi-Fi Connectivity**

- Before setting up Wi-Fi, make sure the sweeper, cell phone, and Wi-Fi network meet the following requirements.
- Sweeper and cell phone requirements:
- The sweeper is fully charged and the sweeper is on.

- The Wi-Fi status light has blinked.
- Turn off mobile data for cell phones (can be turned back on after completing setup).
- Wi-Fi network requirements:
- Using a 2.4GHz network.
- The router supports 802.11b/g/n and IPv4 protocols.
- Do not use a VPN (Virtual Private Network) or proxy server.
- Do not use a hidden network.
- WPA and WPA2 using TKIP, PSK, AES/CCMP encryption.
- WEP EAP (Enterprise Authentication Protocol) is not supported.
- Use Wi-Fi ICT 1-11 in North America and Wi-Fi ICT 1-13 outside of North America (consult your local regulatory agency).
- If using a network extender/repeater, just the network name (SSID) and password are the same as the main network.

### VIII: Product Parameters

Product model	J02/J03
Mainframe rated input	20V $\overline{\text{---}}$ 900MA or 24V $\overline{\text{---}}$ 900MA
Charging time	3-4 hours
Rating	20W
Rechargeable seat model	J02/J03
Recharger input voltage	20V $\overline{\text{---}}$ 1200MA or 24V $\overline{\text{---}}$ 1000MA
Recharger output voltage	20V $\overline{\text{---}}$ 900MA or 24V $\overline{\text{---}}$ 900MA
Adapter model	
Adapter output voltage	20V $\overline{\text{---}}$ 1200MA or 24V $\overline{\text{---}}$ 1000MA

Component Category	harmful substance					
	Lead (Pb) and its compounds	Mercury (Hg) and its compounds	Cadmium (Cd) and its compounds	Hexavalent chromium (Cr(VI)) and its compounds	Polybrominated biphenyls (PBB)	Polybrominated diphenyl ethers (PBDE)
Plastic part	○	○	○	○	○	○
Hardware	×	○	○	○	○	○
Mainframe Circuit Module	×	○	○	○	○	○
Electronic	○	○	×	○	○	○

component						
Batteries	○	○	○	○	○	○
Plug power cord (metal part)	×	○	○	○	○	○

**Note: This form is based on the provisions of SJ/T11364.**

○: Indicates that the content of the hazardous substance in all homogeneous materials of the component is below the limit requirement of the current valid version of GB/T26572.

×: Indicates that the content of the hazardous substance in at least one homogeneous material of the component exceeds the limit requirements specified in the current valid version of GB/T26572, and there is no mature alternative in the industry at present, which is in line with the environmental protection requirements of the RoHS Directive of the European Union.

⑩ The numbers in this logo indicate that the product's environmental protection use period under normal use is 10 years.

Enforcement of standards:

GB4706.1-2005 GB4706.7-2014

GB4343.1-2018 GB17625.1-2012

**MADE IN CHINA**

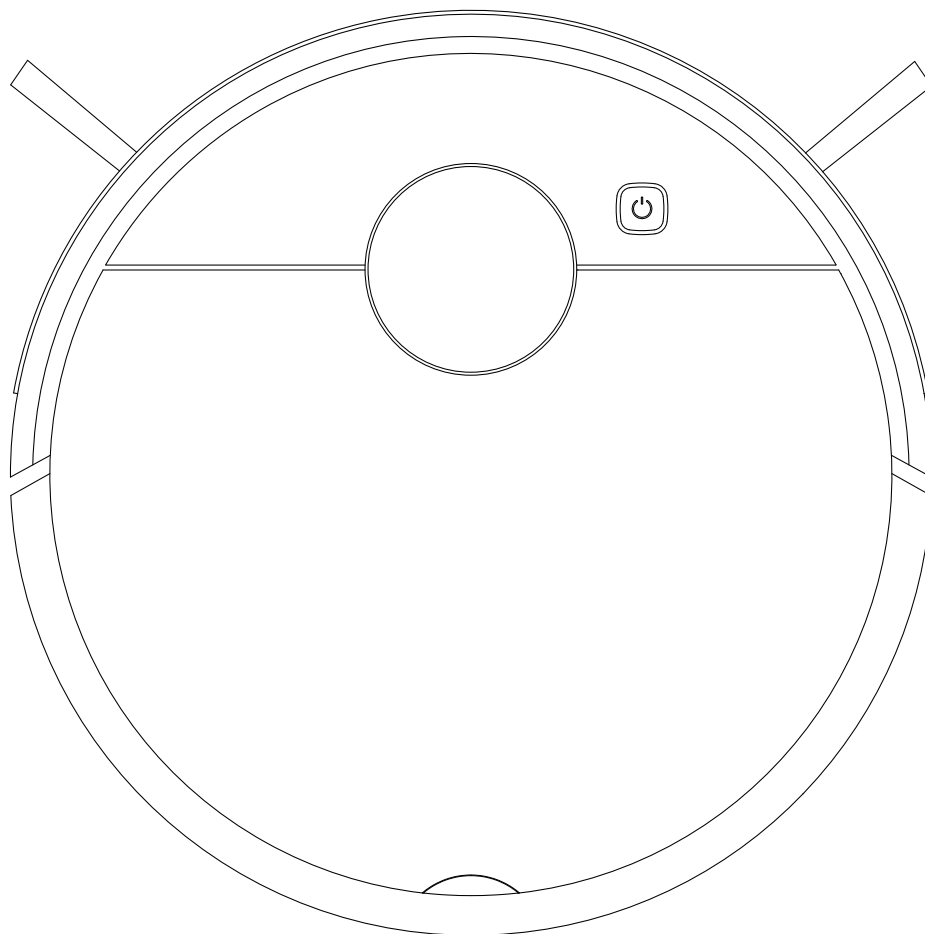
**Executive standard: Q/PJZN1-2021**





# Aspirador robô Gyroscope (Séries J02)

## Manual do utilizador



Por favor, leia atentamente este Manual do Utilizadorantes da utilização e guarde-o para referência futura.

## Instruções de segurança importantes

### Aviso

Antes de utilizar o robô pela primeira vez, leia atentamente as seguintes instruções e preste atenção a todos os avisos, mesmo que tenha familiaridade com dispositivos eletrônicos. Guarde estas instruções num local seguro para referência futura.

### Uso geral

1. Verifique se a voltagem e a tensão são consistentes com a voltagem presente na placa de identificação do equipamento antes de utilizar.
2. Não deixe o cabo de alimentação pendurado na borda da mesa ou do balcão. Não dobre o cabo excessivamente ou aplique pesos pesados sobre ele, pois isso pode resultar em danos, fogo ou choque elétrico.
3. Não utilize um carregador danificado ou qualquer equipamento após uma variação ou um dano. Devolva o equipamento no estabelecimento autorizado mais próximo para examinação, reparação ou ajustamentos.
4. Este produto só deve ser utilizado com o carregador fornecido com este produto. Não utilize outros carregadores, pois isso pode resultar em danos, choque elétrico ou fogo.
5. O cabo flexível exterior do adaptador não pode ser substituído. Se o cabo deste adaptador ficar danificado, é necessário descartar o adaptador e substituí-lo com um adaptador do mesmo modelo.
6. Este produto foi concebido para a limpeza de pavimentos interiores, não utilize o dispositivo no exterior (ex. num terraço aberto) ou qualquer superfície que não seja chão (ex. sofás, mesas, etc.) ou qualquer ambiente comercial ou industrial.
7. Não utilize este produto em superfícies elevadas desprotegidas como chãos de um sótão, um deque ou em cima de móveis.
8. Não utilize o robô em temperaturas ambiente superiores a 40°C (104°F), inferiores a 4°C (39°F) ou com líquidos ou substâncias pegajosas no chão.
9. Antes de utilizar este produto, retire os fios do chão ou coloque-os de lado para evitar que estes sejam puxados pelo aspirador durante o processo de varrimento e afetem os resultados da limpeza.
10. Para evitar bloquear o produto num ambiente doméstico complexo e evitar danificar objetos de valor, organize o chão, retirando os artigos leves (como sacos de plástico) e frágeis (como vasos) antes de limpar.
11. Crianças com mais de 8 anos devem ser supervisionadas pelos seus pais para assegurar que elas não brincam com o equipamento.
12. Este produto não se destina a ser utilizado por pessoas com deficiência (incluindo crianças) com capacidades físicas, sensoriais ou mentais limitadas ou com falta de experiência e conhecimentos, exceto se forem supervisionadas ou instruídas na utilização do produto por uma pessoa responsável pela sua segurança (CB).

13. Este produto pode ser utilizado por crianças com idade igual ou superior a 8 anos e por pessoas com deficiências físicas, sensoriais ou mentais ou com falta de experiência e conhecimentos, desde que tenham sido supervisionadas ou instruídas sobre a utilização segura do produto e compreendam os perigos envolvidos. As crianças não devem brincar com o produto.

14. Mantenha a ferramenta de limpeza da escova principal fora do alcance das crianças.

15. Não coloque nenhum objeto (incluindo crianças e animais) em cima do produto, estando ele a funcionar ou não.

16. Mantenha o cabelo, roupas largas, dedos e todas as partes do corpo longe das entradas do aspirador.

17. Não utilize este produto em objetos incandescentes como cigarros.

18. Não utilize o produto num tapete felpudo (a eficiência do produto também pode ser reduzida em tapetes escuros).

19. Não utilize o produto para limpar objetos duros ou afiados (como resíduos de decoração, vidro e pregos).

20. Não utilize a tampa do scanner a laser, a tampa do aparelho ou o para-choques para manusear o produto.

21. Antes de limpar ou utilizar o produto, este deve estar desligado da corrente.

22. Não utilize panos húmidos ou produtos de limpeza.

23. Utilize o produto de acordo com as instruções, qualquer perda ou dano resultante de um uso impróprio é da responsabilidade do utilizador.

## **Bateria e Carregamento**

24. Este produto contém baterias que só podem ser substituídas por um técnico.

25. Não desmonte, repare ou modifique a bateria ou a estação de carregamento.

26. Mantenha a estação de carregamento longe do calor (tais como aberturas de ventilação).

27. A bateria deve ser removida da unidade antes desta ser descartada.

28. Ao remover a bateria, o produto deve estar desconectado da fonte de alimentação.

29. As baterias devem ser descartadas de uma forma segura, não deite fora baterias usadas, entregue-as a uma organização de reciclagem profissional.

30. Não limpe os pinos do carregador com um pano húmido ou com as mãos húmidas.

31. Se o cabo de alimentação estiver danificado, pare de o utilizar imediatamente e deve ser substituído pelo fornecedor, o seu agente de serviços ou por uma pessoa qualificada para evitar riscos.

32. Assegure-se de que o produto foi desconectado da fonte de alimentação antes do envio.

33. Recomenda-se a utilização da caixa original.

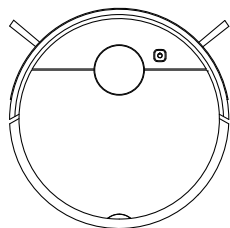
34. Se o produto não for utilizado durante muito tempo, carregue-o na sua totalidade e desligue-o. Em seguida, arrume-o num local fresco e seco.

35. Carregue-o pelo menos a cada 3 meses para evitar o descarregamento da bateria.

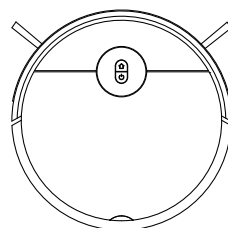
36. Para cumprir os requisitos de exposição RF, mantenha uma distância de 20 cm ou mais entre este equipamento e o pessoal durante a operação deste equipamento.

37. Para assegurar a conformidade, utilizações em distâncias mais próximas não são recomendadas. A antena utilizada para este emissor não deve ser colocada em conjunto com quaisquer outras antenas ou emissores.

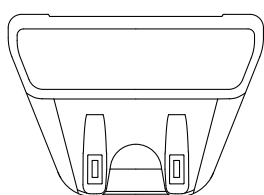
## II: Descrição do produto/2.1 Conteúdo da embalagem



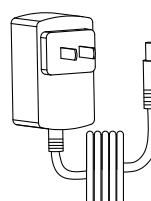
Corpo principal do J02



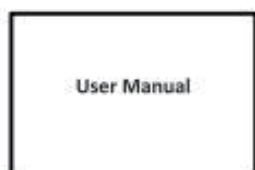
Corpo principal do J03



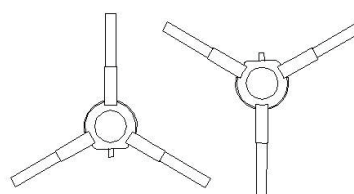
Estação de carregamento



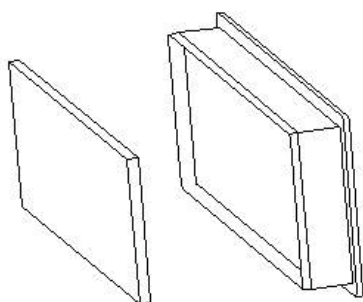
Adaptador AC



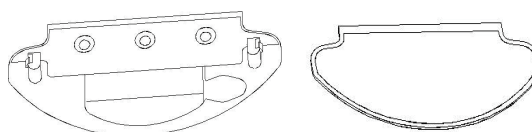
Manual do utilizador



Escova lateral



Filtro alto + HEPA

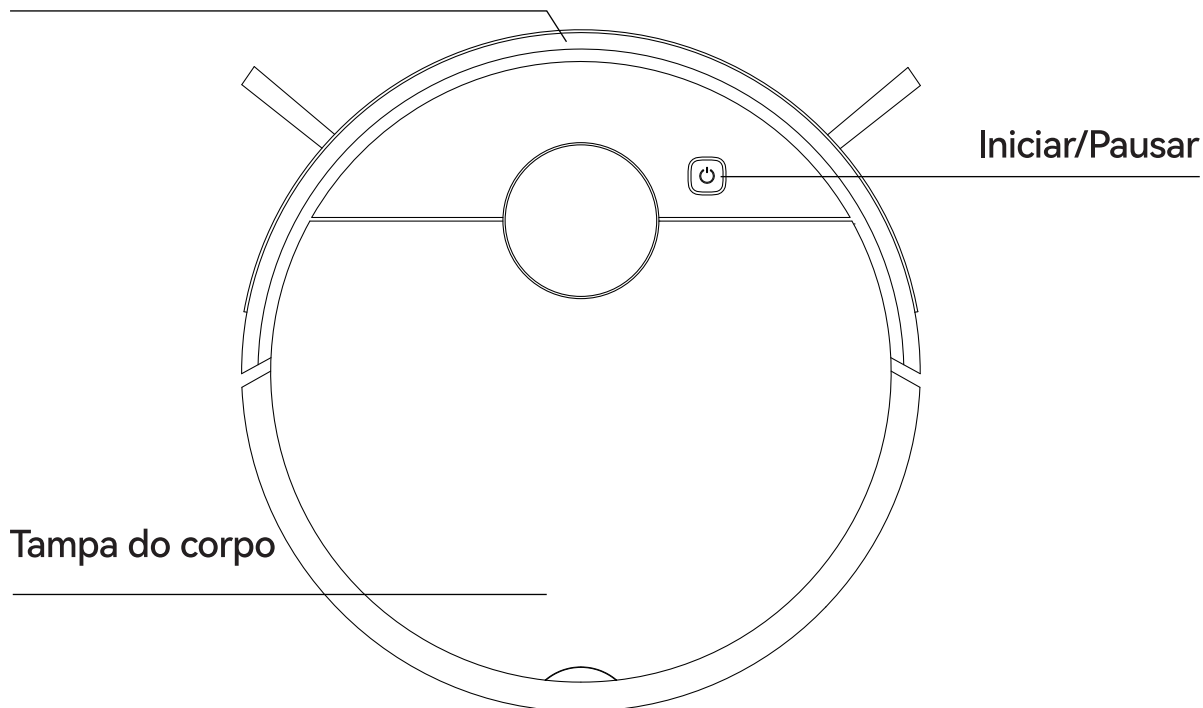


Base da mopa + mopa

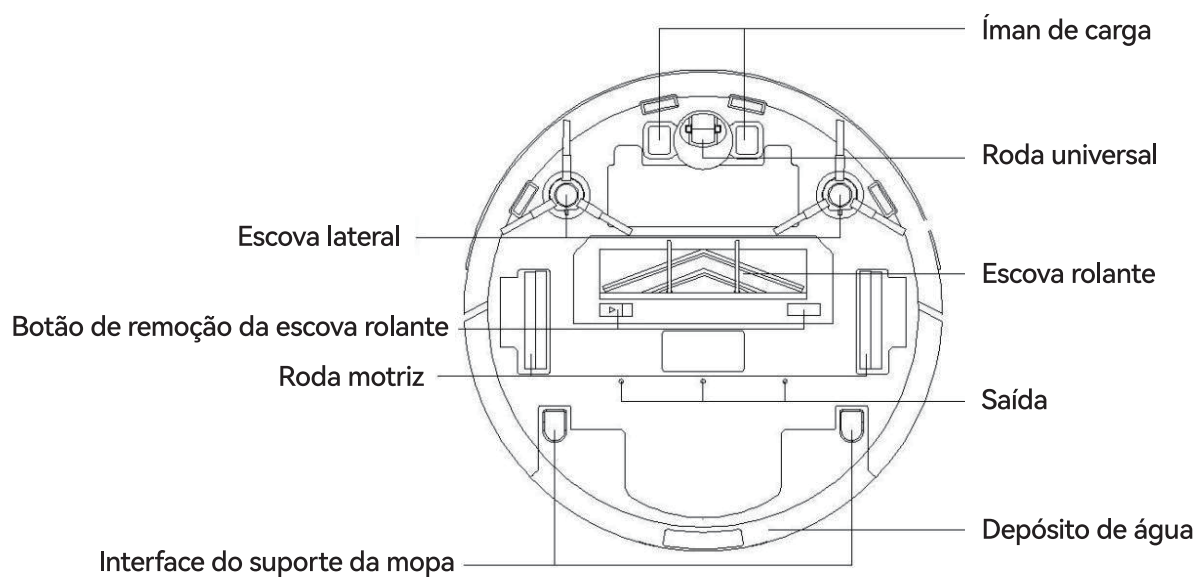
## II: Descrição do produto/2.2 Nome do componente

### 1. Frente da unidade principal

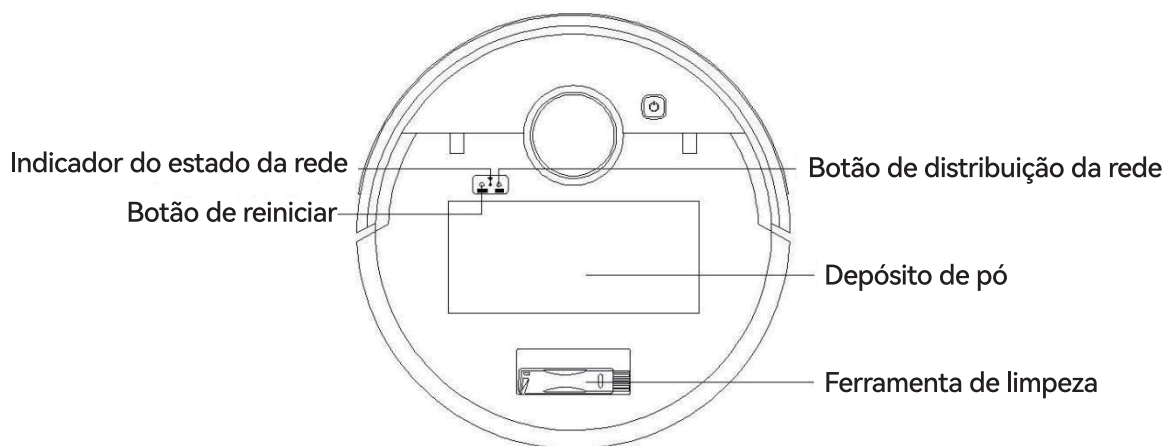
Placa de anticolisão



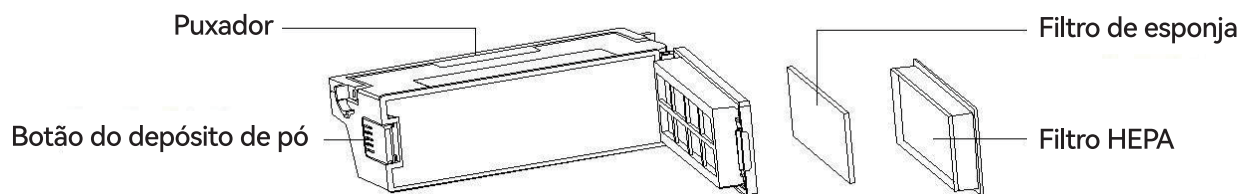
### 2. Traseira da unidade principal



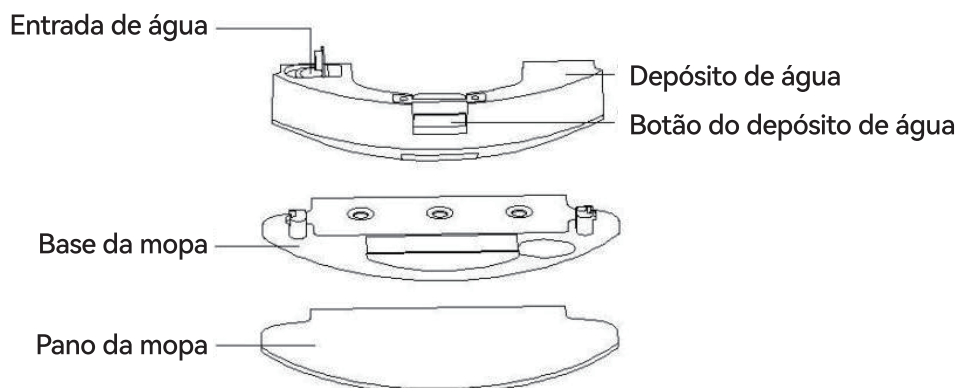
### 3. No interior da unidade principal (por baixo da aba)



### 4. Depósito do pó



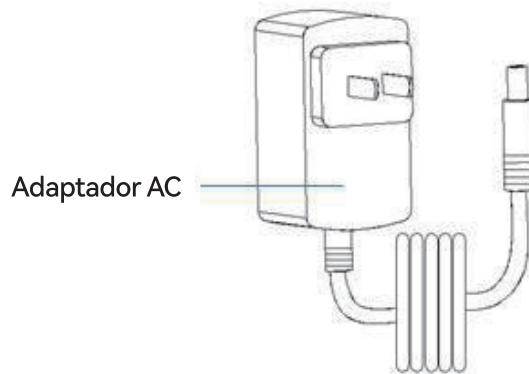
### 5. Conjunto do depósito de água e mopa



## 6. Carregador



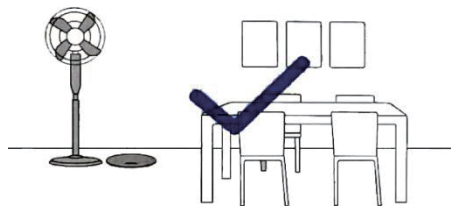
## 7. Adaptador



### III: Uso do produto/3.1. Precauções

#### 1. Organize o espaço a ser limpo

Antes da utilização, organize os móveis como mesas e cadeiras, ventiladores de chão e outros itens, arrume itens baixos como balanças e organize o máximo de espaço possível para limpeza.



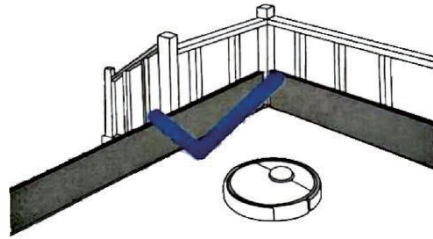
#### 2. Abra a porta da divisão e ajude o robô a explorar

Para ajudar o varredor laser a explorar o espaço total e a criar um mapa da sua casa, abra a porta de cada divisão antes de o utilizar pela primeira vez.



### 3. Prevenção de quedas

Se o aparelho executar tarefas na extremidade de escadas e degraus duplex, é necessário colocar barreiras de proteção para garantir a segurança e o bom funcionamento do aparelho.



Se a carpete da sua casa tiver uma borda com franjas, enrole a borda por baixo da carpete com antecedência.

\*Não utilize a função da mopa em tapetes



Organize cabos, panos, chinelos e outros detritos no chão para melhorar a eficácia do aspirador.



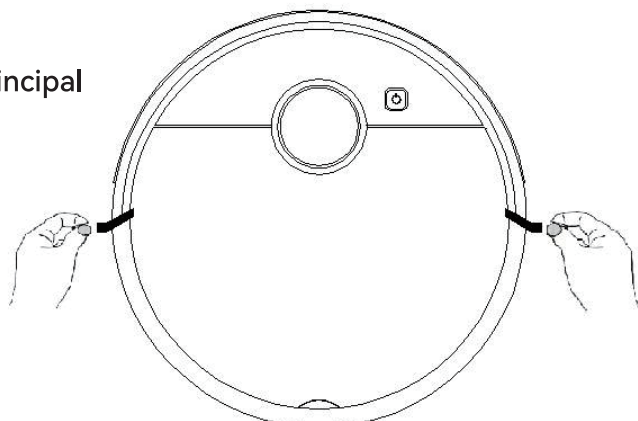
Evite estar à frente do dispositivo, patamares ou num local de passagem estreita como corredores, para que a unidade consiga reconhecer a área a ser limpa.



### III: Uso do produto/3.2 Preparação

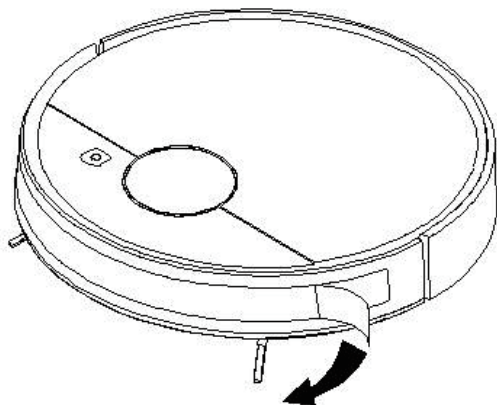
#### 1. Remova a proteção

Remova a fita de proteção do quadro principal

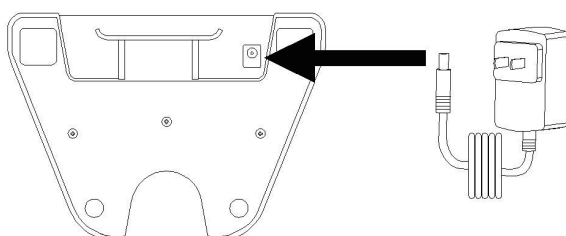




Remova a película protetora do para-choques

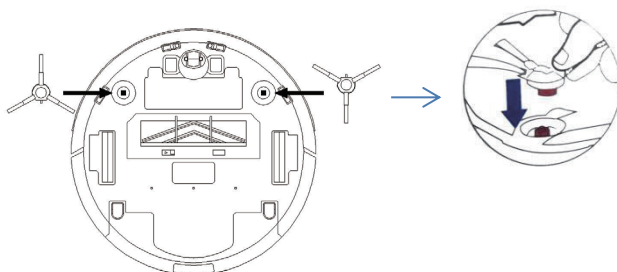


## 2. Instale o adaptador de corrente no suporte recarregável



## 3. Corrija a instalação das escovas laterais

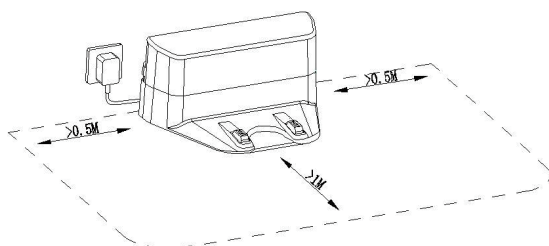
Quando ouvir um “clique”, está bem colocado.



## III: Uso do produto/3.3 Carregamento do quadro principal

### 1. Encontrar o local correto para regressar ao carregador

Coloque a estação de carregamento contra a parede numa superfície plana e não coloque objetos a 0.5M à sua esquerda e direita e a 1.0M à frente.

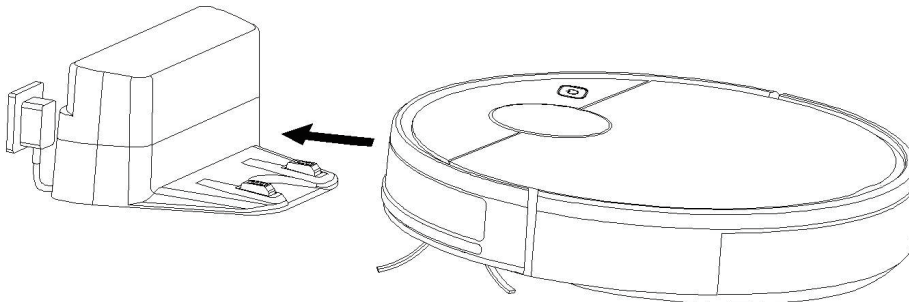


## 2. Carregamento

Para a primeira utilização, carregue totalmente o dispositivo. O tempo de carregamento é de aproximadamente 7 horas.

Ao carregar, não ative o modo da mopa para assegurar um carregamento seguro e prevenir danos no chão por panos de limpeza permeáveis à água

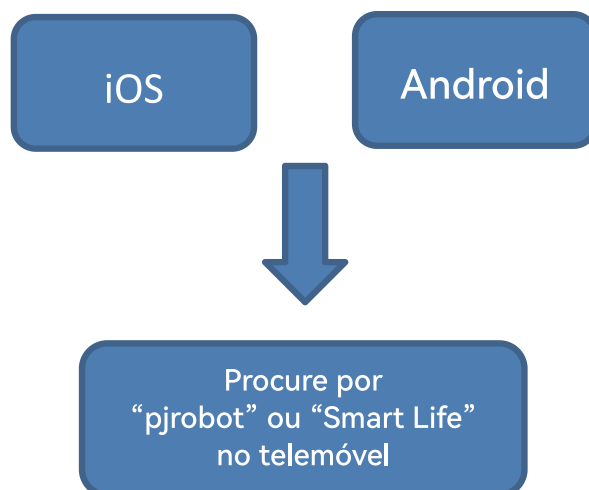
Durante o carregamento, a luz branca do botão pisca e quando o carregamento foi concluído, a luz verde permanece ligada.



## III: Uso do produto/3.4 Descarregamento da app

Descarregue a app “pjrobot” ou “Smart Life” para experienciar mais funcionalidades da varredora a laser.


Método: Abra a app store do seu telemóvel, procure por “pjrobot” e “Smart Life” para descarregar e instale.



## Dica:

- Primeiro, ligue o wifi (2.4GHz) e o Bluetooth no seu telemóvel ao mesmo tempo.
- Para realmente aproveitar todas as funcionalidades disponíveis, recomenda-se que controle o seu robô com a app “pjrobot.”
- Antes de começar, certifique-se de que:
  - O seu telemóvel está conectado a uma rede wi-fi.
  - O seu telemóvel funciona com iOS 10.0 (ou acima) ou Android 5.0 (ou acima).
  - O sinal de banda larga sem fios de 2.4GHz está ativado no seu router sem fios.
  - O robô está ligado à estação de carregamento para ter a certeza de que tem energia suficiente durante a configuração do wi-fi.
- Passos de conexão:
  - 1. Abra a aplicação e crie uma nova conta de utilizador.
  - 2. Certifique-se de que o seu telemóvel está conectado a uma rede de wi-fi e depois pressione e mantenha premido o “botão wi-fi” no seu robô por 3-5 segundos e a luz indicadora irá piscar.
  - 3. Clique o ícone “+” e “Adicionar Dispositivo” na aplicação, depois, selecione Adicionar dispositivo de pesquisa.
  - 4. Introduza ou confirme de novo a rede de wi-fi e palavra-passe e selecione Seguinte para confirmar e concluir.
- Uma vez conectado com sucesso, pode controlar o robô a partir da app.
- Com a app, pode selecionar uma limpeza com o seu nível de sucção desejado, programar uma limpeza, ver os mapas de limpeza, configurar “Editar zonas proibidas”, zonas de “linha de parede virtual” ou “Editar divisão”,
- verificar o estado da conexão à rede e aceder a mais funcionalidades.

## Indicador de wi-fi

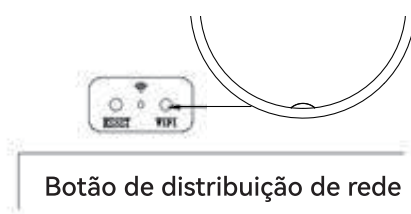
	Desligado ou luz vermelha a piscar	Não conectado ou em espera
	Vermelho a piscar	Rede em curso
	Luz branca sempre ligada	Rede configurada com sucesso
	Desligado	Rede falhou

### Dica:

Se encontrar algum problema com o processo de configuração do wi-fi, consulte a secção de “Resolução de problemas > Conexão wi-fi” neste manual.

## III: Uso do produto/3.5 Redes de distribuição

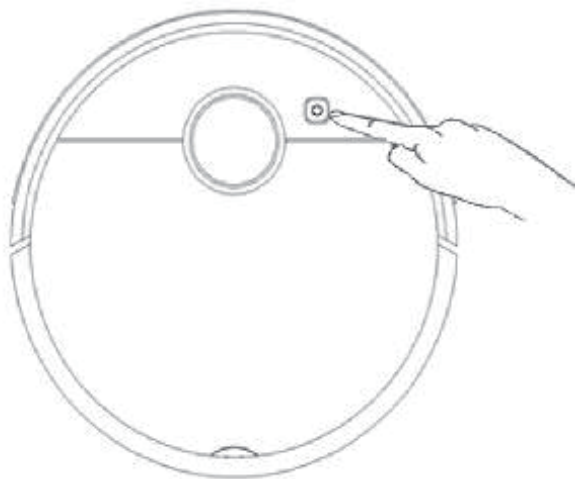
Abra a tampa, pressione o botão de wi-fi do botão de distribuição de rede por 3-5 segundos e siga os comandos de voz.



### III: Uso do produto/3.6 Funcionamento do quadro principal

Ao criar um mapa pela primeira vez, siga o dispositivo para ajudar a resolver algumas falhas inconvenientes. Por exemplo, o dispositivo pode ficar preso num móvel, veja abaixo a solução.

- Acolchoar o mobiliário, se possível.
- Cubra a parte inferior do móvel para impedir a entrada do dispositivo.
- Configure uma parede virtual na app para bloquear o acesso do dispositivo.




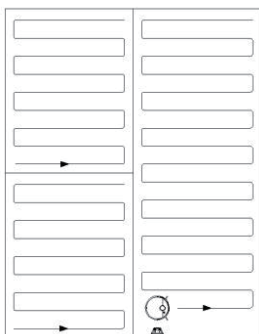
#### 1. Iniciar/Desligar

Pressione e mantenha premido o botão  do aparelho por 3 segundos. Entre no estado ligado.


#### 2. Comece a varrer

A primeira vez que comece a varrer, certifique-se de que o produto está na estação de carregamento e está totalmente carregado.



Clique no botão  de ligar e o dispositivo começa a criar um mapa no modo de varrer ao longo dos cantos e de seguida, fazendo uma curva.



### 3. Pausa (leitor multimédia)

Enquanto o dispositivo está em funcionamento, pressione o botão  de ligar para o pausar.

### 4. Função de acordar

Todas as luzes indicadoras no painel do dispositivo se desligam se o tempo de pausa for a 10 minutos. Se precisar de retomar a tarefa, pressione o botão  de ligar para acordar o dispositivo e depois pressione o botão  novamente para que o dispositivo retome a tarefa original depois da luz indicadora se ter ligado.

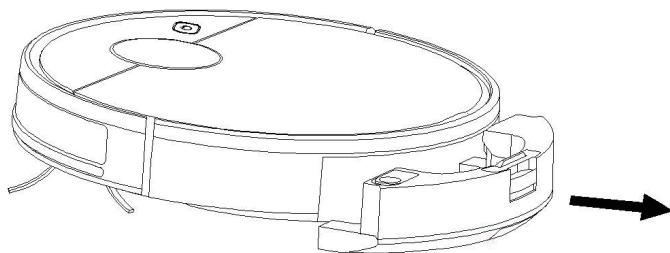
### 5. Regressar ao carregador para carregar

Veja as definições de funcionalidades na app

\*Após concluída a tarefa, recomenda-se que não desligue o dispositivo e o deixe no estado de carregamento para um melhor desempenho na próxima tarefa.

## III: Uso do produto/3.7 Inicie a função da mopa

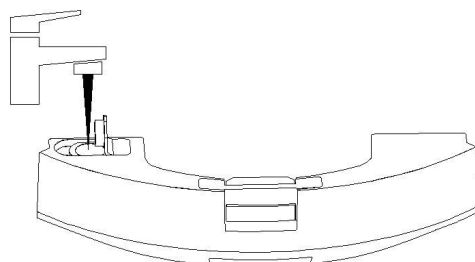
### 1. Remova o depósito de água.



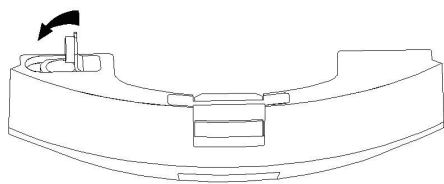
### 2. Abra a tampa do depósito e encha de água fresca

\*Água pura ou descalcificada é recomendada para uma vida útil mais longa do depósito.

\*É estritamente proibido utilizar água suja que contenha areia fina e partículas, o que pode danificar diretamente o sistema automático de abastecimento de água do motor de varrimento.



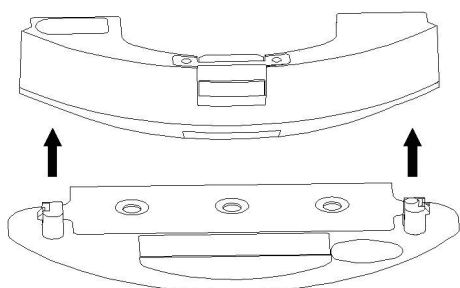
### 3. Cubra a tampa do depósito de água



### 4. Instale o pano da mopa na base Mopa lavável aderente ao depósito



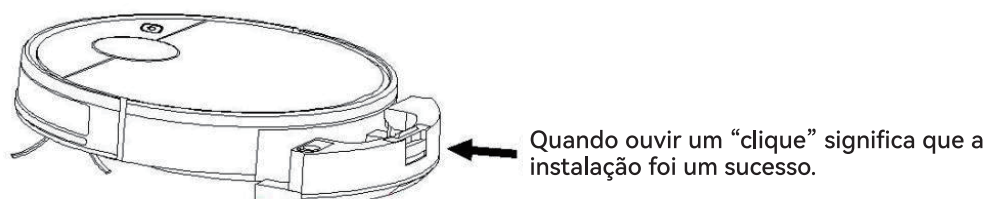
### 5. Instalação da placa de acoplamento ao depósito de água



### 6. Insira o conjunto de lavagem novamente no dispositivo

NOTA: \*Não utilize esta funcionalidade no tapete. Remova placa de proteção e esvazie o depósito de água quando utilizar em tapetes.

\*Descarte a mopa e esvazie o depósito de água após a lavagem terminar.

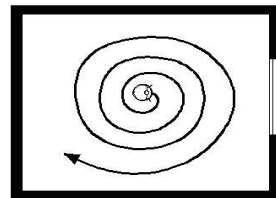


### III: Uso do produto/3.8 Seleção do modo de varrimento

Para se adaptar às diferentes condições do pavimento e efetuar uma limpeza profunda, este produto está equipado com uma variedade de modos de varrimento, que podem ser selecionados através do controlo remoto ou mudados para qualquer modo selecionando na app.

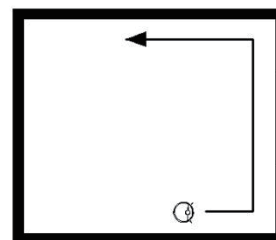
#### 1. Modo de ponto fixo

Aplicável ao ambiente com maior concentração de lixo, o dispositivo limpa na área designada para limpeza centralizada com uma rota "espiral", um diâmetro de 1 metro dentro do escopo da conclusão da limpeza, de volta à origem, como tocar os obstáculos no meio da limpeza em espiral por 2 minutos. É realizado através da aplicação.



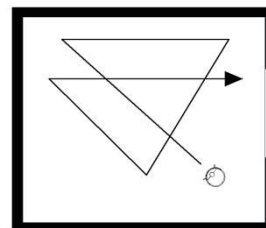
#### 2. Modo ao longo da parede

Adequado para varrer os cantos da divisão, o dispositivo move-se ao longo do perímetro de objetos fixos (como paredes). Varre em fila e regressa ao lugar de carregamento depois de varrer. É realizado através da app.



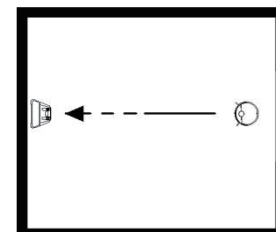
#### 3. Modo automático

Adequado para ambientes domésticos com alcatifas espessas. O dispositivo tem dificuldade em andar sobre o tapete; a máquina anfitriã escolherá um andar aleatório para limpar. Funcionamento por app.



#### 4. Regresso ao carregador

Durante o processo de limpeza, o aparelho pode detetar a sua própria falta de energia e ativar o modo de "retorno de carga" de forma independente para encontrar automaticamente a estação de carregamento. Também é possível iniciar o modo de "retorno de carga" acionando-o na app.



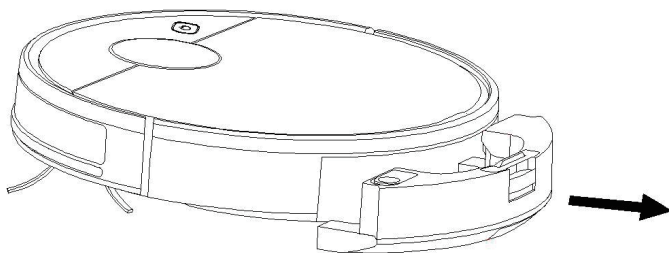
### IV: Manutenção de rotina / 4.1 Frequência da manutenção do produto

Para manter o dispositivo em condições ótimas de utilização, consulte a seguinte tabela com os componentes de manutenção

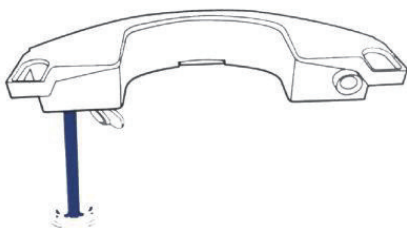
Nome do componente	Frequência da manutenção	Frequência da substituição
Mopa lavável	Após cada utilização	Substituição a cada 60 lavagens
Trator	Após cada utilização	
Pincelada (na pintura)	A cada 2 semanas	Substituição a cada 4-6 meses
Escova intermédia	A cada 1 semana	Substituição a cada 8-12 meses
Algodão filtrante	A cada 1 semana	Substituição a cada 4-6 meses
Filtragem de alta eficiência	A cada 1 semana	Substituição a cada 4-6 meses

#### IV: Manutenção de rotina/4.2 Limpeza do depósito de água

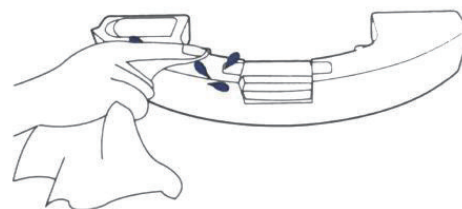
##### 1. Remova o depósito de água



##### 2. Esvazie a água presente no depósito

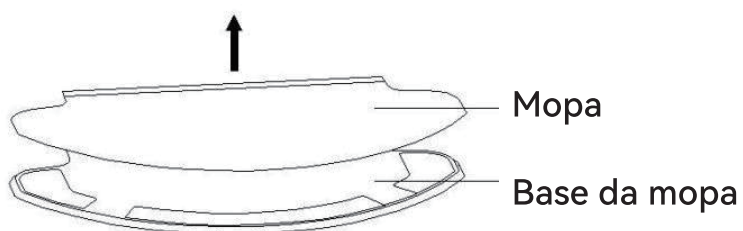


##### 3. Seque com um pano ou naturalmente



#### IV: Manutenção de rotina/ 4.3 Limpeza da mopa lavável

##### 1. Remova a mopa lavável



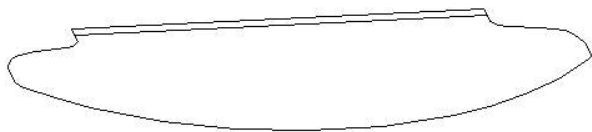
##### 2. Lave a mopa



\*Não utilize produtos de limpeza ácidos ou alcalinos fortes.

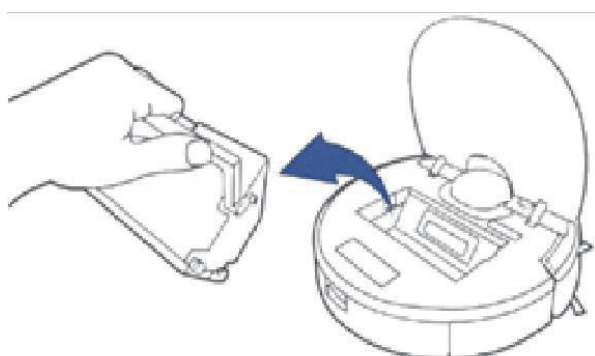


3. Deixe secar

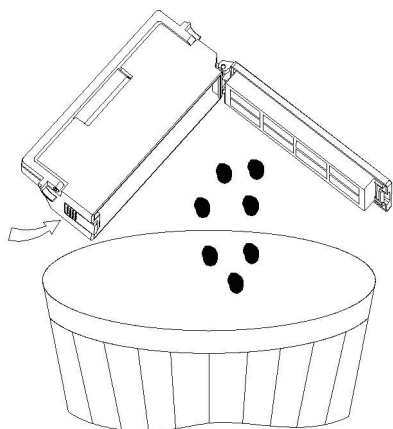


#### IV: Manutenção de rotina/4.4 Depósito de pó e filtros

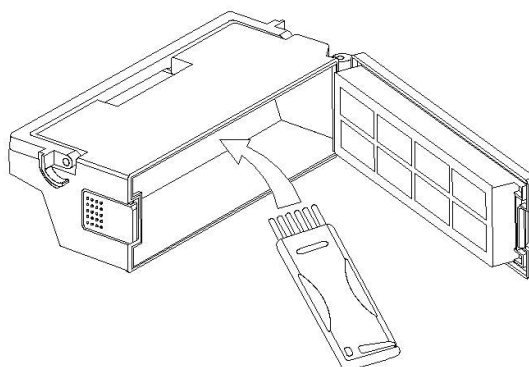
1. Abra a tampa e retire o depósito de pó



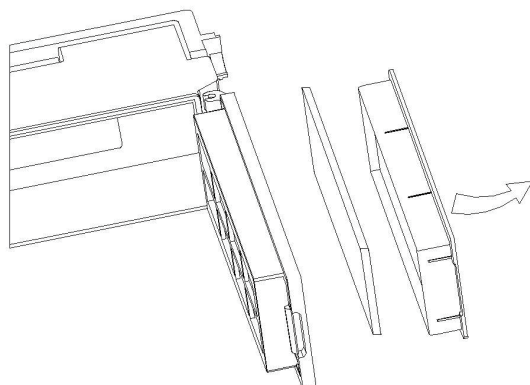
2. Pressione no botão na parte lateral do depósito e retire o lixo



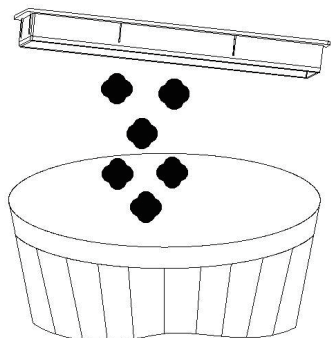
3. ???



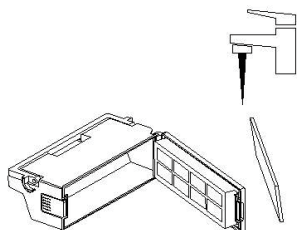
4. Remova a tela filtrante fina e o conjunto do filtro de alta eficiência



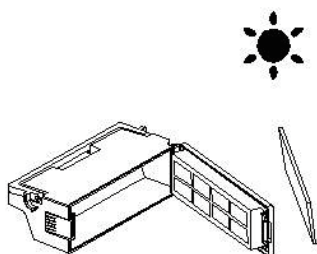
## 5. Despeje o lixo do filtro de alta eficiência



## 6. Lave a caixa de pó e o filtro com água



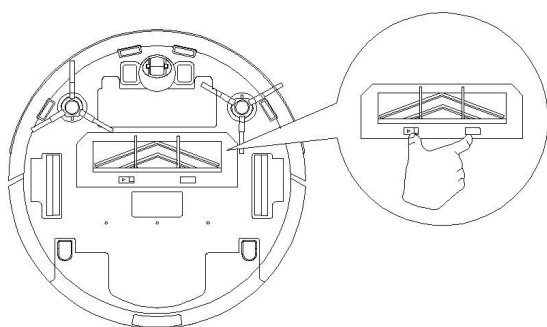
## 7. Seque o depósito de pó e o filtro de tela fina ao ar livre



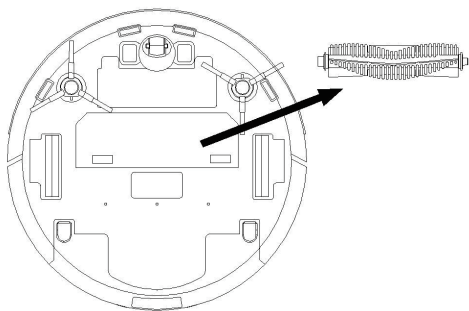
## IV: Manutenção de rotina/4.5 Escova rolante e escova lateral

### 1. Limpe a escova rolante

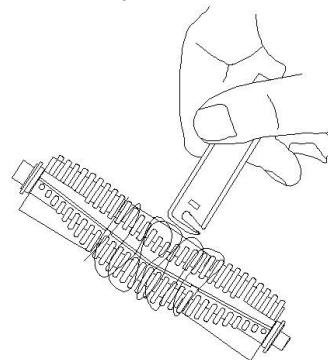
- ① Abra a tampa da escova rolante



② Remova a escova rolante

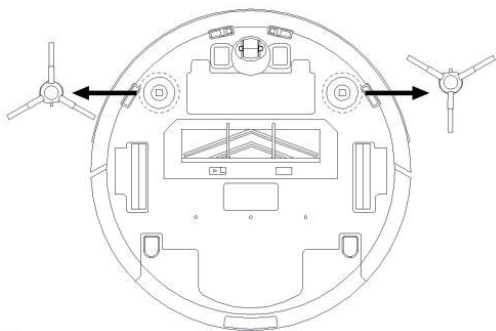


③ Limpe as escovas rolantes com a ferramenta de limpeza

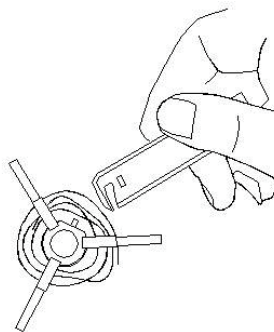


## 2.Limpeza das escovas laterais

① Remova a escova lateral

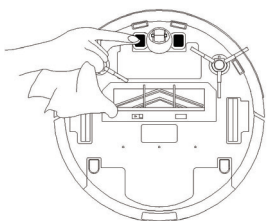


② Limpe as escovas laterais com a ferramenta de limpeza

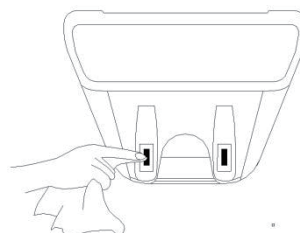


## IV: Manutenção de rotina/4.6 Postes de carregamento, recarga dos postes de apoio, rodas motrizes e rodinhas

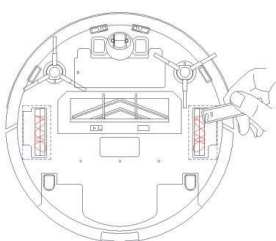
1. Limpe a peça de carregamento.  
\*Limpe com um pano seco.



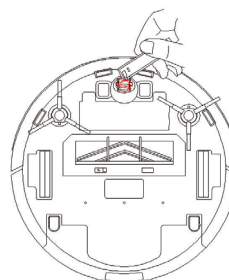
2. Limpe a peça de recarga dos postes de apoio.  
\*Limpe com um pano seco.




3. Limpe as rodas motrizes.



4. Limpe a suspensão cardã.

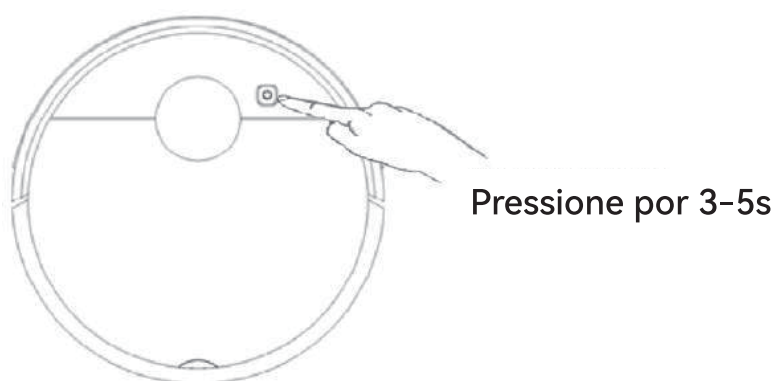


## IV: Manutenção de rotina/4.7 Armazenamento de encerramento

Se não o utilizar por muito tempo, carregue-o totalmente antes de o armazenar. Depois, pressione  por 3 segundos para o desligar e carregue-o a cada 1.5 meses para prevenir a sobre descarga da bateria.

\*Depois do aparelho ter terminado, recomenda-se que não o desligue e o mantenha no estado de carregamento para um melhor desempenho na próxima tarefa.

\*Se a bateria estiver descarregada ou não for utilizada por muito tempo, o produto pode não conseguir carregar. Contacte o nosso sistema de pós-vendas. Não o desmonte por si mesmo.



## V: Indicadores de estado

Efeito da luz	Situação atual
Luz verde a piscar	Em espera
Luz branca a piscar durante o carregamento, luz verde sempre ligada quando totalmente carregado	Carregamento
Luz verde sempre ligada	Varrimento em curso
Atualização do firmware no estado original, a atualização foi concluída, a luz verde permanece ligada	Atualização do firmware

## VI: Definição da função da app

Sequências	Resposta aos comandos da app	Resumo do estado	Resumo funcional
1	Varrimento geral	Iniciar, pausar, retomar varrimento	Pode iniciar e continuar o varrimento geral pela app

2	Limpeza de lugares	Inicie e pare o varrimento	O aparelho entra no estado de limpeza por pontos em espiral ou noutras formas de limpeza focalizada
3	Recarga	Inicie, pause, continue a recarga	O aparelho começa a carregar de novo e procura a base de carregamento para recarregar
4	Ajuste do poder de sucção	Três níveis: silencioso, padrão, potente	
5	Programação de uma tarefa de limpeza	1. A definição da hora pode ser exata ao minuto 2. O poder de sucção correspondente pode ser definido: silencioso, padrão, potente, o padrão predefinido 3. A quantidade de água correspondente pode ser definida: baixa, média, alta 4. A varredora pode ser reservada para a limpeza global	Quando chegar a hora marcada, o dispositivo começará a varrer e varrerá todas as áreas acessíveis
6	Nível de água	Baixo, Médio, Alto. Predefinido: Médio	Regule o volume de água de acordo com o nível predefinido no aparelho
7	Interrutor de luz	Iniciar, Desligar	Ligado: Acende-se de acordo com o estado predefinido para efetuar as alterações correspondentes, tais como: intermitente, sempre ligado, etc. Desligado: As luzes do lado do dispositivo estão desligadas
8	Definições de volume	Mudo, controlo do volume	Mudo: o dispositivo não emite a voz correspondente. Volume: Após a definição, o dispositivo pode ajustar o volume para transmitir a voz correspondente de acordo com o tamanho predefinido.
9	Modo não incomodar	Abrir: hora de início, hora de fim; encerramento	1. Ligue o modo "Não incomodar" e defina o tempo relevante: o dispositivo não iniciará a varredura renovada dos pontos de interrupção, reservando a varredura; trabalhará no processo de desligar as luzes e a voz 2. Desligar: o aparelho responde instantaneamente aos comandos

			em função do nível de potência e do tempo de reserva
10	Atualização remota do firmware	Inicie, cancele a atualização	Os utilizadores podem verificar se existe uma nova versão de software no dispositivo através da app e, quando existe uma nova versão de software, o utilizador pode optar por atualizá-la.
11	Outras instruções da app	Entrar, Registrar, Partilhar dispositivo, Adicionar dispositivo, Feedback da mensagem do dispositivo, Eliminar dispositivo, Nomeação do dispositivo, Manual do utilizador, Ponto de reparação, Feedback	
12	Definições de reposição de fábrica	Adicionar a reposição de fábrica ao "ecrã de definições"	Pode repor as predefinições de fábrica no dispositivo, por exemplo, volume, luzes, etc., limpar o registo de pré-arrumamento; desligar a ligação de rede, etc.
13	Comutação de pacotes de voz	Operação de ativação da aplicação	Alterne entre as configurações de inglês e chinês na APP e a máquina responde a diferentes pacotes de voz
14	Informação do percurso		Informação do percurso real para a máquina no dispositivo
15	Informação sobre o bloco de carregamento	Ícone da estação de carregamento	A localização da base de carregamento é reconhecida no dispositivo e apresentada como um ícone específico no mapa
16	Informação sobre a posição do robô	Ícones do robô	A localização do suporte de carregamento é reconhecida no dispositivo e apresentada como um ícone específico no mapa
17	Informação sobre o nível de bateria	Percentagem da bateria	O dispositivo reconhece o nível da bateria em tempo útil e transmite-o à app para visualização
18	Informação sobre o tempo de varrimento	Única área de varrimento: cálculo por metro quadrado	Varrimento global da máquina, varrimento de zona, onde varrer, tempo de varrimento único para varrimento programado
19	Informação sobre a área de varrimento	Única área de varrimento: cálculo por minuto	Varredura global da máquina, varredura de zona, varredura onde quiser, estatísticas de área de varredura única para varredura programada
20	Máquina	Pausa, recarga, limpeza	Identifica o estado em que a máquina se encontra

	Informação do estado	Modo de espera, carregamento, mal funcionamento, atualização, etc.	
21	Informação da versão do firmware	Informação da versão no dispositivo	Informação do dispositivo
22	Acumulação dos consumíveis		Tempo de utilização acumulado da escova lateral, da escova de rolo e do sistema hepa em H
23	Registos de varrimento	1. Área acumulada (m <sup>2</sup> ), tempos acumulados, tempo acumulado (min) 2. Registo de varrimento único: data de varrimento, hora de início do varrimento, área de varrimento (m <sup>2</sup> ), tempo de varrimento (min).	Os utilizadores podem verificar o registo de limpeza da máquina no período anterior através da app
24	Informação de exceções	Ex. mensagem padrão de roda presa	
25	Informação de equipamento	Apresenta o nome do wi-fi, intensidade do sinal, valor RSSI, endereço IP, endereço Mac, etc. da ligação do dispositivo atual	

## VII: Resolução de problemas/7.1 Resolução de problemas comuns

Se encontrar as seguintes situações durante a sua utilização do produto, pode verificar a tabela e resolver o problema independentemente.

Número de série	Condição de defeito	Possíveis motivos	Solução
1	O aparelho não se consegue conectar à app	Nome de utilizador e palavra-passe estão incorretos.	Configure o router, certificando-se que introduziu o nome de utilizador e palavra-passe corretos.
		O aparelho não está dentro da cobertura do sinal da rede do router.	Certifique-se de que o aparelho está dentro da cobertura do sinal da rede do router.
		O aparelho não está no estado de configuração pendente.	O aparelho só se pode configurar à rede quando está no estado de configuração pendente. Ligue o aparelho, abra a tampa e pressione



			o botão de wi-fi até ouvir um bip, isto é, o aparelho entra no estado de configuração pendente.
		Nenhuma rede 2.4G (rede 4G) está a ser utilizada.	Configure a distribuição de rede 2.4G ao se conectar
		Pode ter descarregado a aplicação errada.	Leia o código QR neste produto ou vá à app store para descarregar a app “pjrobot” ou “Smart Life.”
4	O depósito de água saiu.	A instalação não está no lugar	Ao instalar, pressione com força e ouça um “clique” para ter a certeza de que o depósito está instalado corretamente.
5	As escovas laterais saíram.	A instalação não está no lugar	Deve ouvir um “clique” ao instalar para ter a certeza de que as escovas laterais estão instaladas corretamente.
6	O aparelho não consegue encontrar o carregador.	Colocação incorreta da estação de carregamento	Siga as instruções na secção de “Carregamento do quadro principal” do manual para o colocar de novo na estação de carregamento.
		A estação de carregamento foi desconectada ou artificialmente movida	Verifique se o carregador está ligado à fonte de alimentação. Não mova artificialmente a posição do carregador.
		O quadro principal foi suspenso por mais de 90 minutos	Recomenda-se que não pause o quadro principal por mais de 90 minutos. Para garantir um bom funcionamento, deixe que o aparelho conclua a tarefa de limpeza sozinho e evite pausar em cada movimento tanto quanto possível.
		O percurso de recarga está bloqueado. Por exemplo, a porta da divisão com uma estação de carregamento está fechada.	Mantenha o percurso de recarga limpo.
7	O aparelho regressa ao	Quando o ambiente doméstico	Limpe o ambiente



	carregador antes de terminar a limpeza	é muito complexo, a eficiência de limpeza será reduzida e o aparelho pode não terminar a limpeza.	doméstico.
8	O aparelho não está a carregar	O poste de carregamento do dispositivo e o suporte recarregável não estão em contacto total	Certifique-se de que os postes de carregamento do aspirador e a estação de carregamento estão totalmente alinhados e que o botão está a piscar a branco. Verifique se os postes de carregamento do aparelho e a base da estação estão sujos, pode consultar a secção “Manutenção de rotina” do manual para os limpar.
		O carregador não está conectado ao adaptador	Assegure-se de que a estação de carregamento está conectada à fonte de alimentação.
		Períodos prolongados de não utilização resulta na descarga excessiva da bateria.	Recomenda-se que use este produto frequentemente. Se o aparelho não for utilizado durante muito tempo, o que pode resultar numa incapacidade de carregar, contacte a equipa do serviço pós-venda.
9	Quando o aparelho está em funcionamento, faz muito ruído.	As escovas laterais, escovas rolantes ficam emaranhadas, os depósitos de pó, os filtros ficam entupidos, etc.	A limpeza regular e a manutenção das escovas laterais, escovas rolantes, depósitos de pó, material de filtros, etc. são recomendadas.
		O aparelho entra no modo de varrimento.	Recomenda-se que troque para o modo padrão ou silencioso.
10	O quadro principal está com dificuldades em funcionar	O aparelho ficou emaranhado ou obstruído por fios soltos no chão, tecido de cortinas ou de pêlos de tapetes.	O dispositivo irá tentar vários métodos para sair dos problemas por si mesmo. Se falhar, recomenda-se que o ajude manualmente.
		O aparelho pode ficar preso em móveis de alturas	Recomenda-se que os móveis sejam almofadados ou cobertos artificialmente.
		Quando usa a função da mopa, a capacidade do aparelho de atravessar obstáculos pode ser reduzida.	Ajude o aparelho a resolver problemas ao atravessar zonas inclinadas.









11	Quando o aparelho está a funcionar, existem situações de caos como o desvio do percurso, a limpeza repetida e a falta de reconhecimento de pequenas áreas. (Se houver uma área ampla que já não é limpa há algum tempo, não se preocupe, por vezes o aparelho irá reparar as falhas sozinho. Por vezes o aparelho irá entrar numa divisão que já foi limpa. Pode não ser uma limpeza repetida, mas está a reparar falhas sozinho).	Cabos, chinelos e outros objetos no chão afetam o funcionamento do aparelho.	Antes de ligar o aparelho, arrume os fios, chinelos e outros objetos espalhados pelo chão para minimizar a colocação de itens espalhados pelo chão.
		Pode dever-se ao facto de o aparelho escorregar no chão quando sobe degraus, soleiras e barras de porta, afetando assim a avaliação do dispositivo relativamente a todo o ambiente da casa.	Recomenda-se que feche a porta da área e limpe a área individualmente. O aparelho regressará ao ponto inicial assim que terminar a limpeza.
		Devido aos diferentes ambientes domésticos, áreas individuais não podem ser acedidas pelo aparelho para limpeza.	Recomenda-se que organize o ambiente doméstico para garantir que o aparelho está acessível para limpeza.
		O funcionamento em chãos polidos e encerados pode resultar numa fricção reduzida entre as rodas motrizes e o chão.	Recomenda-se que espere até à cera secar antes de utilizar a dispositivo.
12	O aparelho não se consegue conectar à rede de wi-fi doméstica	Nome de utilizador e palavra-passe da rede de wi-fi doméstica estão incorretos	Insira o nome de utilizador e palavra-passe corretos
		O aparelho está fora do alcance do sinal de wi-fi.	Certifique-se de que o aparelho está dentro do alcance do sinal de wi-fi.
		O aparelho não está pronto para distribuir a rede enquanto a rede está conectada.	Pressione a luz wi-fi, ela pisca lentamente no estado ligado para indicar que o dispositivo está pronto para a distribuição de rede.
13	Houve fuga de cinzas durante o funcionamento do equipamento	A saída do depósito de pó está presa com objetos externos	Remova o depósito de pó e limpe objetos externos da entrada do depósito de pó
14	Existe sujidade na base da estação de carregamento	Cai pó da escova rolante do aparelho	Siga as instruções de "Manutenção de rotina/Limpeza das escovas principais."

## VII: Resolução de problemas/7.2 Conectividade wi-fi

- Antes de configurar o wi-fi, certifique-se de que o aparelho, o seu telemóvel e a rede de wi-fi cumprem os seguintes requisitos.
- Requisitos do dispositivo e telemóvel:
- O dispositivo está totalmente carregado e ligado.

- A luz do estado de wi-fi está a piscar.
- Desligue os seus dados móveis no telemóvel (pode ser ligado novamente depois de ter concluído a configuração).
- Requisitos da rede de wi-fi:
- Use uma rede de 2.4GHz.
- O router suporta 802.11b/g/n e protocolos IPv4.
- Não utilize um VPN (Rede privada virtual) ou um servidor proxy.
- Não utilize redes ocultas.
- WPA e WPA2 que usam TKIP, PSK, AES/CCMP.
- WEP EAP (Enterprise Authentication Protocol) não é suportado.
- Utilize wi-fi TIC 1-11 na América do Norte e wi-fi TIC 1-13 fora da América do Norte (consulte a sua agência reguladora local).
- Se está a utilizar um extensor/repetidor de rede, o nome da rede (SSID) e a palavra-passe da rede principal são idênticos.

## VIII: Parâmetros do produto

Modelo do produto	J02/J03
Entrada nominal	20V  900MA ou 24V  900MA
Tempo de carregamento	3-4 horas
Potência nominal	20W
Modelo da estação de carregamento	J02/J03
Voltagem da entrada do carregador	20V  1200MA ou 24V  1000MA
Voltagem da saída do carregador	20V  200MA ou 24V  900MA
Modelo do adaptador	
Voltagem da saída do adaptador	0V  1200MA ou 24V  1000MA

Categoria de componentes	Substância nociva					
	Chumbo (Pb) e os seus componentes	Mercúrio (Hg) e os seus componentes	Cádmio (Cd) e os seus componentes	Cromo hexavalente (Cr(VI)) e os seus componentes	Benzeno polibromado (PBB)	Éteres Difenílicos Polibromados (PBDE)
Parte de plástico	○	○	○	○	○	○
Hardware	✗	○	○	○	○	○
Módulo de circuito do quadro principal	✗	○	○	○	○	○
Componente		○	✗	○	○	○

Eletrônico						
Baterias	○	○	○	○	○	○
Ficha do cabo de alimentação	×	○	○	○	○	○

Nota: Este formulário baseia-se nas disposições de SJ/T11364

○: Indica que o conteúdo da substância nociva em todos os materiais homogêneos do componente está abaixo do requisito limite da versão atual em vigor de GB/T26572.

×: Indica que o conteúdo da substância nociva em pelo menos um material homogêneo do componente excede o requisito limite especificado na versão atual em vigor de GB/T227572 e não existe uma alternativa desenvolvida na indústria que cumpra os requisitos de proteção ambiental da Diretiva RoHS da UE.

⑩ Os números neste logotipo indicam que o período de proteção ambiental do produto em condições normais de utilização é de 10 anos.

Norma de implementação:

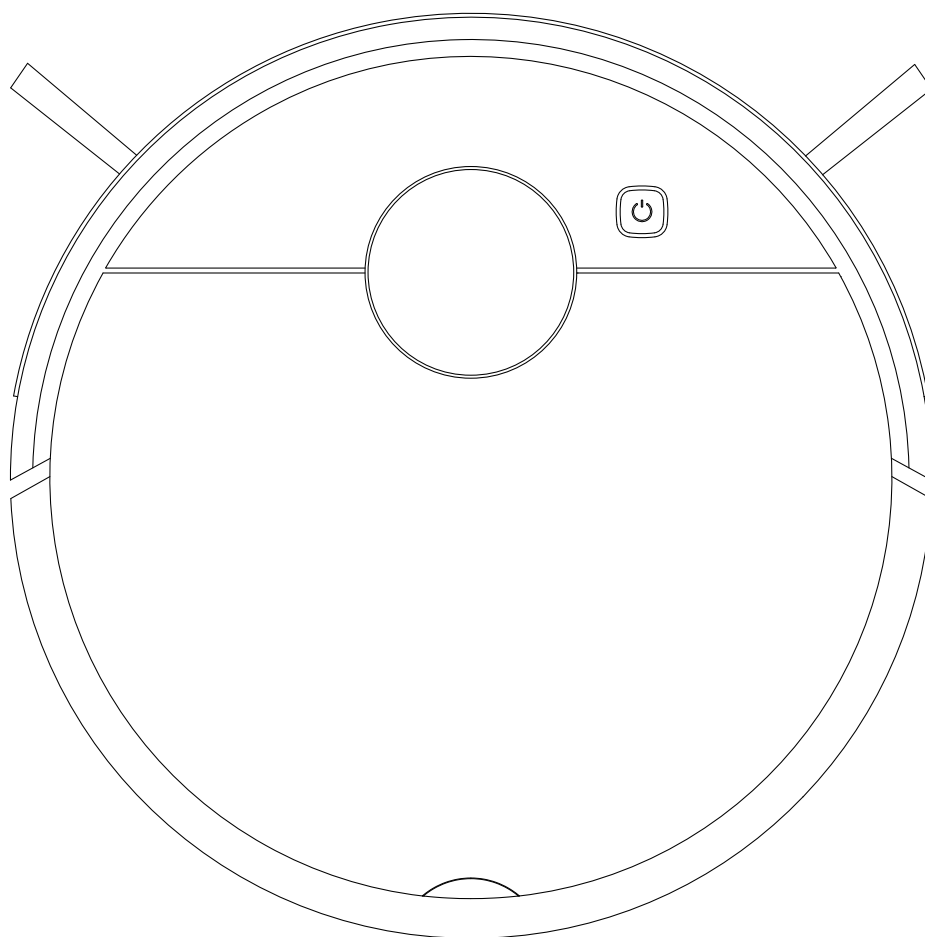
**GB4706. 1-2005      GB4706. 7-2014**  
**GB4343. 1-2018      GB17625. 1-2012**

FABRICADO NA CHINA  
Padrão executivo: Q/PJZN1-2021



# Robot Aspirador Gyroscope (Serie J02)

## Manual del usuario



Lea atentamente este manual antes de utilizar el aparato y consérvelo para futuras consultas.

## **Instrucciones importantes de seguridad**

### **Advertencia**

Antes de utilizar el robot por primera vez, lea atentamente las siguientes instrucciones y preste atención a todas las advertencias, aunque esté familiarizado con los dispositivos electrónicos. Guarde estas instrucciones en un lugar seguro para futuras consultas.

### **Uso general**

1. Compruebe que la tensión y el voltaje coinciden con los indicados en la placa de características del equipo antes de utilizarlo.
2. No deje que el cable de alimentación cuelgue del borde de la mesa o encimera. No doble excesivamente el cable ni le aplique pesos pesados, ya que puede provocar daños, un incendio o una descarga eléctrica.
3. No utilice un cargador dañado ni ningún equipo después de una variación o daño. Devuelva el equipo al distribuidor autorizado más cercano para su examen, reparación o ajuste.
4. Este producto sólo debe utilizarse con el cargador suministrado con el mismo. No utilice otros cargadores, ya que pueden producirse daños, descargas eléctricas o incendios.
5. El cable flexible exterior del adaptador no puede sustituirse. Si el cable de este adaptador se daña, el adaptador debe desecharse y sustituirse por un adaptador del mismo modelo.
6. Este producto está diseñado para limpiar suelos de interior, no utilice el aparato en el exterior (por ejemplo, en una terraza abierta) ni en ninguna superficie que no sea el suelo (por ejemplo, sofás, mesas, etc.) ni en ningún entorno comercial o industrial.
7. No utilice este producto en superficies elevadas sin protección, como áticos, terrazas o encima de muebles.
8. No utilice el robot a temperaturas ambiente superiores a 40°C (104°F), inferiores a 4°C (39°F) o con líquidos o sustancias pegajosas en el suelo.
9. Antes de utilizar este producto, retire los cables del suelo o apártelos para evitar que la aspiradora los arrastre durante el proceso de barrido y afecten a los resultados de la limpieza.
10. Para no bloquear el producto en un entorno doméstico complejo y evitar dañar los objetos de valor, organice el suelo retirando los objetos ligeros (como bolsas de plástico) y los frágiles (como jarrones) antes de limpiarlo.
11. Los niños mayores de 8 años deben ser supervisados por sus padres para asegurarse de que no juegan con el equipo.
12. Este producto no está diseñado para ser utilizado por personas discapacitadas (incluidos niños) con capacidades físicas, sensoriales o mentales limitadas o con falta de experiencia y conocimientos, a menos que sean supervisadas o instruidas en el uso del producto por una persona responsable de su seguridad (CB).

13. Este producto puede ser utilizado por niños a partir de 8 años y por personas con discapacidades físicas, sensoriales o mentales o con falta de experiencia y conocimientos, siempre que hayan sido supervisados o instruidos en el uso seguro del producto y comprendan los peligros que conlleva. Los niños no deben jugar con el producto.
14. Mantenga la escobilla principal fuera del alcance de los niños.
15. No coloque ningún objeto (incluidos niños y animales) encima del producto, esté funcionando o no.
16. Mantenga el pelo, la ropa suelta, los dedos y cualquier parte del cuerpo alejados de las entradas de la aspiradora.
17. No utilice este producto sobre objetos incandescentes como cigarrillos.
18. No utilice el producto sobre alfombras desgredadas (la eficacia del producto también puede verse reducida en alfombras oscuras).
19. No utilice el producto para limpiar objetos duros o afilados (como residuos decorativos, cristales y clavos).
20. No utilice la tapa del escáner láser, la tapa del aparato o el parachoques para manipular el producto.
21. Antes de limpiar o utilizar el producto, debe desconectarse de la red eléctrica.
22. No utilice paños húmedos ni productos de limpieza.
23. Utilice el producto de acuerdo con las instrucciones, cualquier pérdida o daño resultante de un uso inadecuado es responsabilidad del usuario

## **Batería y Carga**

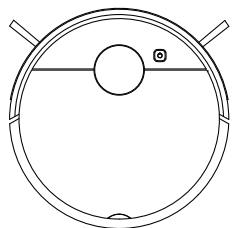
24. Este producto contiene baterías que sólo pueden ser sustituidas por un técnico.
25. No desmonte, repare ni modifique la batería ni la estación de carga.
26. Mantenga la estación de carga alejada del calor (como rejillas de ventilación).
27. La batería debe extraerse de la unidad antes de desecharla.
28. Al extraer la batería, el producto debe desconectarse de la red eléctrica.
29. Las baterías deben desecharse de forma segura, no tire las baterías usadas, llévelas a una organización profesional de reciclaje.
30. No limpie las clavijas del cargador con un paño húmedo ni con las manos mojadas.
31. Si el cable de alimentación está dañado, deje de utilizarlo inmediatamente y debe ser sustituido por el proveedor, su agente de servicio o una persona cualificada para evitar riesgos.
32. Asegúrese de que el producto ha sido desconectado de la red eléctrica antes de su envío.
33. Recomendamos el uso de la caja original.
34. Si el producto no se va a utilizar durante mucho tiempo, cárguelo completamente y apáguelo. A continuación, guárdelo en un lugar fresco y seco.
35. Cárguelo al menos cada 3 meses para evitar que se agote la batería.



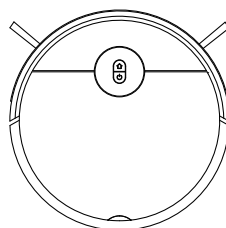
36. Para cumplir con los requisitos de exposición a RF, mantenga una distancia de 20 cm o más entre este equipo y el personal cuando lo utilice.

37. Para garantizar la conformidad, no se recomienda su uso a distancias más cortas. La antena utilizada para este transmisor no debe colocarse junto con otras antenas o transmisores.

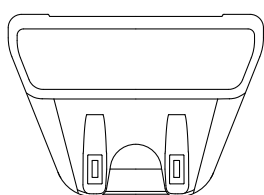
## II: Descripción del producto/2.1 Contenido del paquete



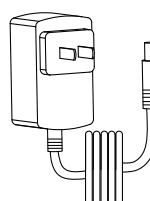
Cuerpo principal del J02



Cuerpo principal del J03



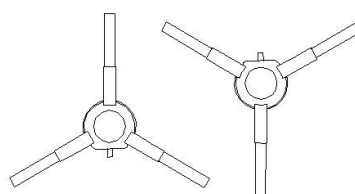
Estación de carga



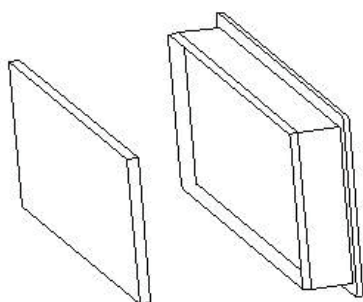
Adaptador AC



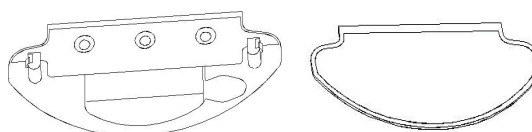
Manual del usuario



Escobilla lateral



Filtro alto + HEPA



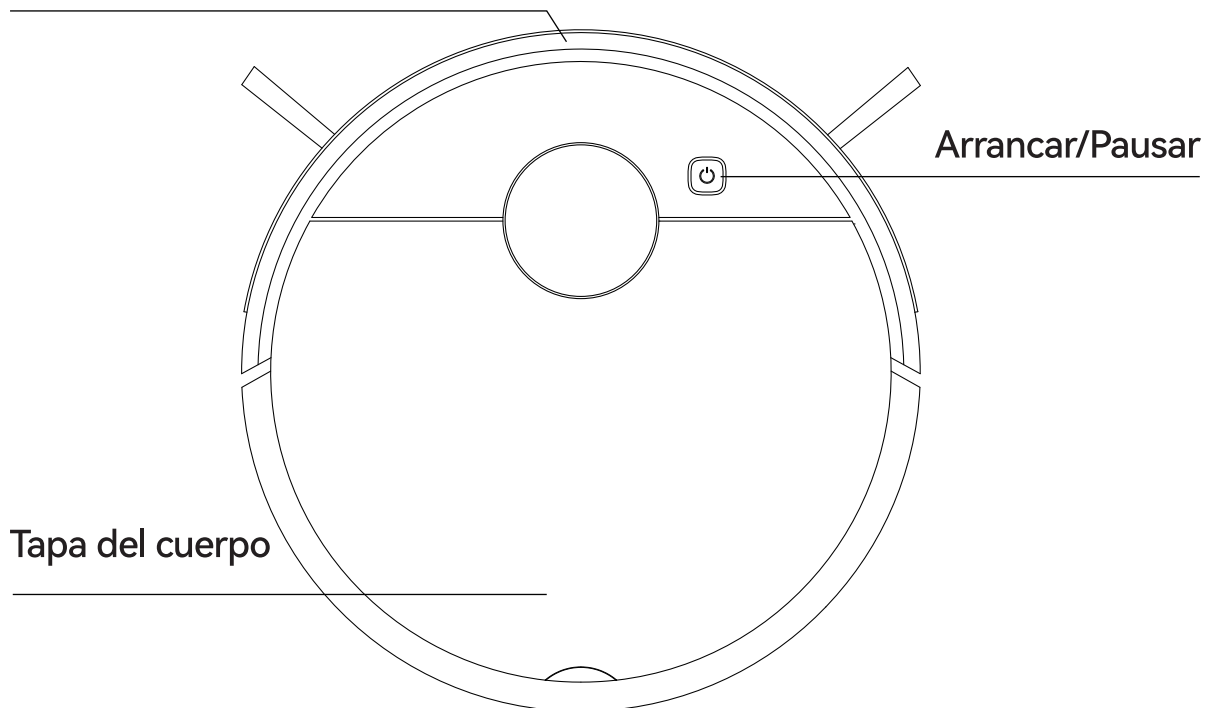
Soporte para mopa + mopa



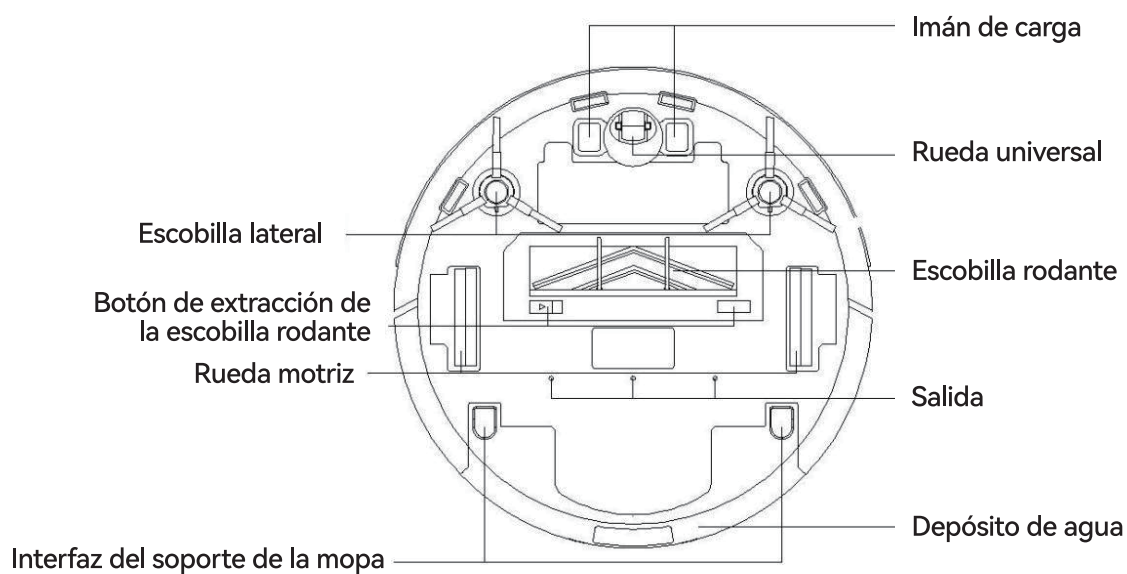
## II: Descripción del producto/2.2 Nombre del componente

### 1. Parte frontal de la unidad principal

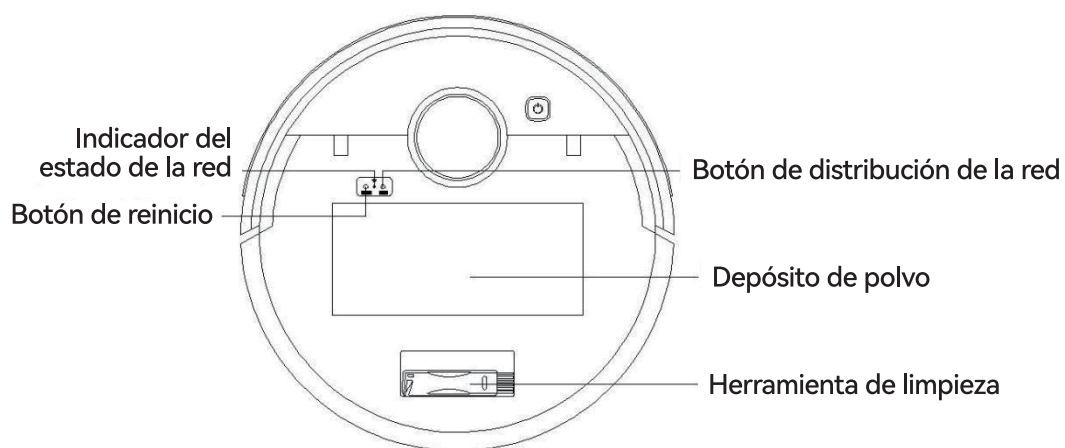
Placa anticoliación



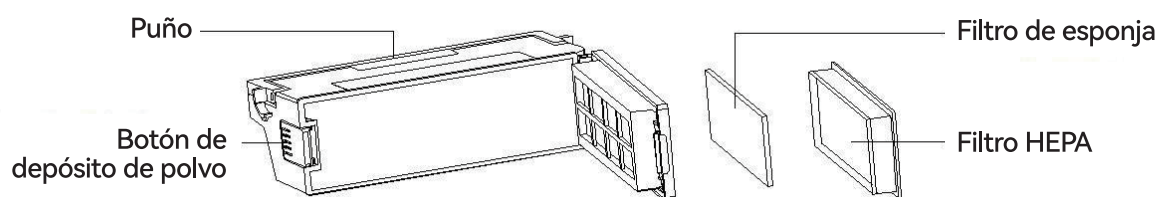
### 2. Parte trasera de la unidad principal



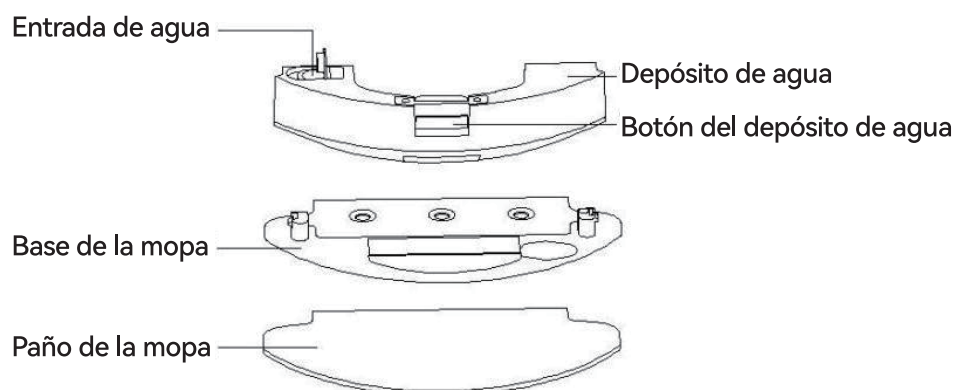
### 3. Dentro de la unidad principal (bajo la tapa)



### 4. Depósito de polvo



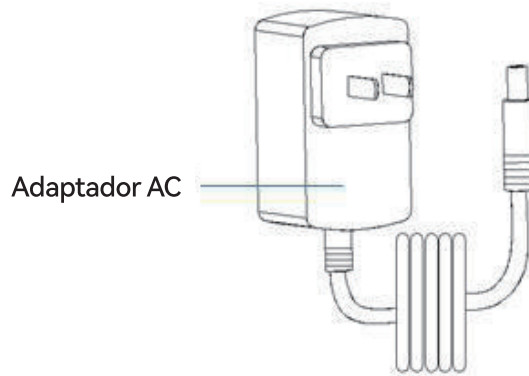
### 5. Conjunto de depósito de agua y mopa



## 6. Cargador



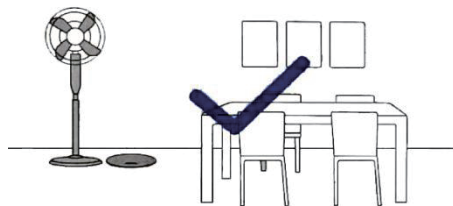
## 7. Adaptador



### III: Uso del producto/3.1. Precauciones

#### 1. Organizar el espacio que se va a limpiar

Antes del uso, organice los muebles como mesas y sillas, ventiladores de pie y otros objetos, guarde los objetos bajos como las básculas y organice todo el espacio posible para la limpieza.



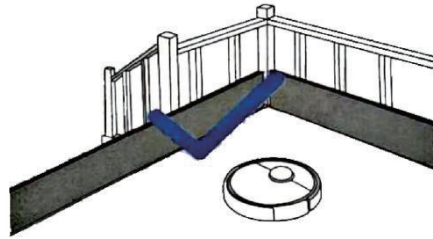
#### 2. Abra la puerta de la habitación y ayude al robot a explorar

Para ayudar a la barredora láser a explorar todo el espacio y crear un mapa de su casa, abra la puerta de cada habitación antes de utilizarla por primera vez.



### 3. Prevención de caídas

Si el aparato realiza tareas al borde de escaleras y peldaños dúplex, deben instalarse barreras de protección para garantizar la seguridad y el correcto funcionamiento del aparato.



Si su alfombra tiene flecos, enrolle previamente el borde bajo la alfombra.

\* No utilice la función mopa en alfombras



Organice los cables, paños, zapatillas y otros residuos del suelo para mejorar la eficacia de la aspiradora.



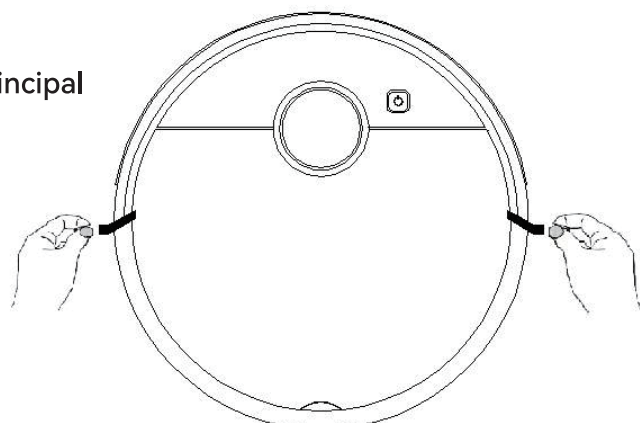
Evite situarse delante del aparato, en los rellanos o en zonas de paso estrechas, como pasillos, para que el aparato pueda reconocer la zona a limpiar.



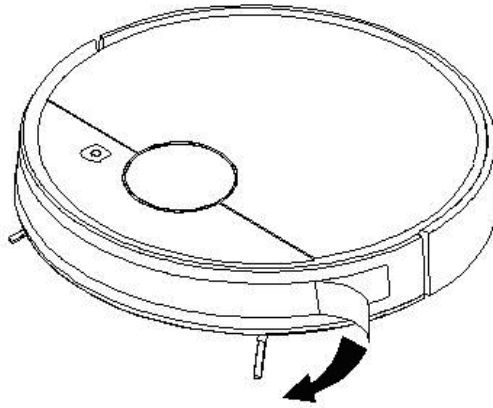
### III: Uso del producto/3.2 Preparación

#### 1. Retire la protección

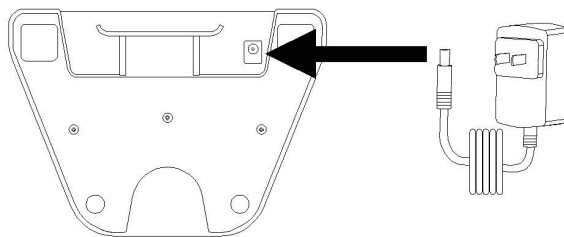
Retire la cinta protectora del cuadro principal



Retire la película protectora del parachoques

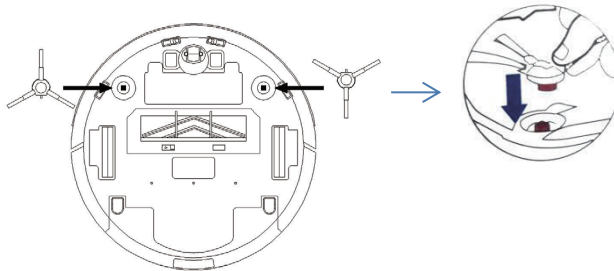


## 2. Instale el adaptador de corriente en el soporte recargable



## 3. Corrija la instalación de las escobillas laterales

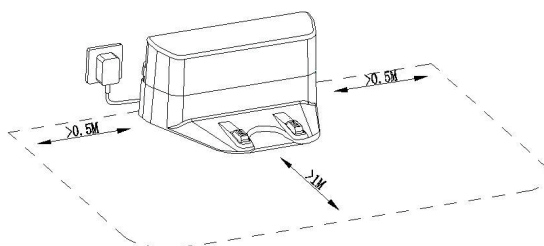
Cuando oiga un "clic", ya está listo.



## III: Uso del producto/3.3 Carga del cuadro principal

### 1. Encontrar el lugar adecuado para volver al cargador

Coloque la estación de carga contra la pared sobre una superficie plana y no coloque objetos a 0,5 m a su izquierda y derecha ni a 1,0 m delante de ella.

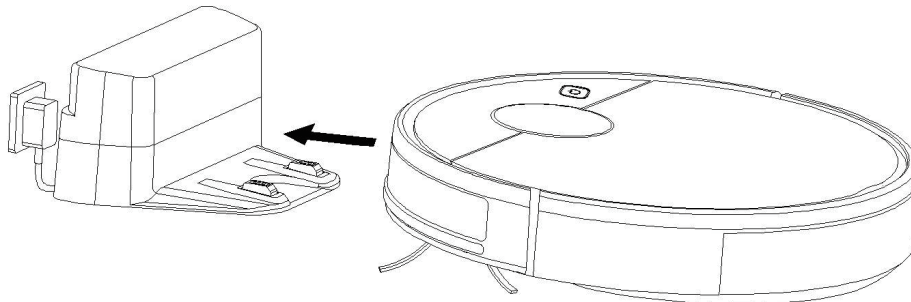


## 2. Carga

Para el primer uso, cargue completamente el dispositivo. El tiempo de carga es de aproximadamente 7 horas.

Durante la carga, no active el modo mopa para garantizar una carga segura y evitar daños en el suelo por los paños de limpieza permeables al agua.

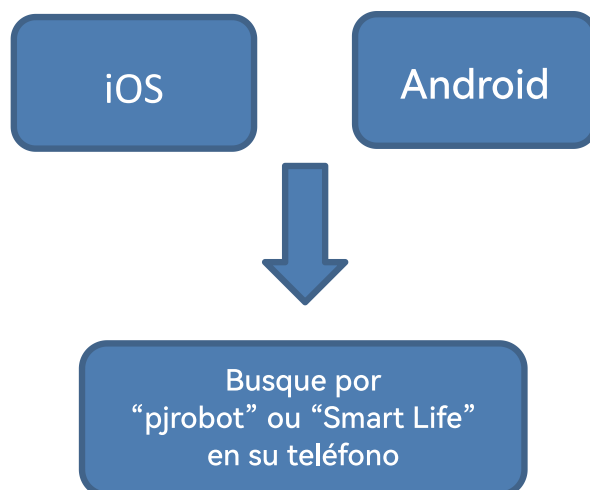
Durante la carga, la luz blanca del botón parpadea y cuando se completa la carga, la luz verde permanece encendida.



### III: Uso del producto/3.4 Descarga de la app

Descargue la aplicación "pjrobot" o "Smart Life" para disfrutar de más funciones de la barredora láser.


Método: Abra la tienda de aplicaciones de su teléfono y busque "pjrobot" y "Smart Life" para descargarlas e instalarlas.



## Consejo:

- En primer lugar, encienda el wifi (2,4 GHz) y el Bluetooth de su teléfono al mismo tiempo.
- Para aprovechar realmente todas las funciones disponibles, le recomendamos que controle su robot con la app "pjrobot."
- Antes de empezar, asegúrese de que
- Su teléfono está conectado a una red wifi.
- El teléfono ejecuta iOS 10.0 (o superior) o Android 5.0 (o superior).
- La señal de banda ancha inalámbrica de 2,4 GHz se activa en el router inalámbrico.
- El robot está conectado a la estación de carga para asegurarse de que tiene suficiente energía durante la configuración wifi.
- Pasos de conexión:
- 1. Abra la aplicación y cree una nueva cuenta de usuario.
- 2. Asegúrese de que su teléfono está conectado a una red wifi y, a continuación, mantenga pulsado el "botón wifi" de su robot durante 3-5 segundos y la luz indicadora parpadeará.
- 3. Haga clic en el icono "+" y "Añadir dispositivo" en la aplicación y, a continuación, seleccione Añadir dispositivo de búsqueda.
- 4. Introduzca o reconfirme la red wifi y la contraseña y seleccione Siguiente para confirmar y finalizar.
- Una vez conectado correctamente, puede controlar el robot desde la aplicación.
- Con la app, puede seleccionar una limpieza con el nivel de aspiración que desee, programar una limpieza, ver mapas de limpieza, configurar "Editar zonas prohibidas", zonas de "línea de pared virtual" o "Editar habitación",
- Comprobar el estado de la conexión de red y acceder a más funciones.

## Indicador de Wi-Fi

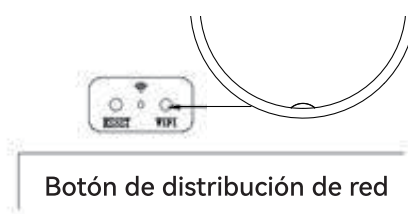
	Desconectado o rojo intermitente	No conectado o en espera
	Rojo intermitente	Red en curso
	Luz blanca siempre encendida	Red configurada correctamente
	Apagado	Fallo de red

### Consejo:

Si tiene algún problema con el proceso de configuración wifi, consulte la sección "Solución de problemas > conexión wifi" de este manual.

## III: Uso del producto/3.5 Redes de distribución

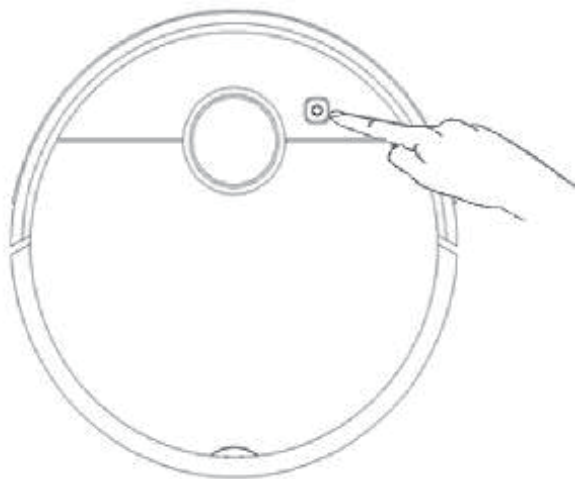
Abra la tapa, pulse el botón wifi en el botón de distribución de red durante 3-5 segundos y siga los comandos de voz.



### III: Uso del producto/3.6 Funcionamiento del cuadro principal

Cuando cree un mapa por primera vez, siga el dispositivo para solucionar algunos inconvenientes. Por ejemplo, el dispositivo puede quedarse atascado en un mueble; consulte a continuación la solución.

- Acolche los muebles si es posible.
- Cubra la parte inferior de los muebles para impedir la entrada del dispositivo.
- Establezca un muro virtual en la aplicación para bloquear el acceso del dispositivo.




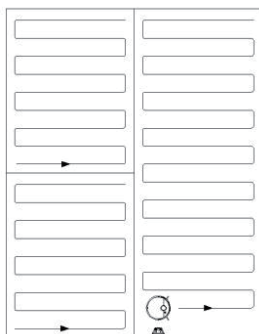
#### 1. Encendido/Apagado

Mantenga pulsado el botón  del aparato durante 3 segundos. Entre en el estado encendido.

#### 2. Empiece a barrer


La primera vez que empiece a barrer, asegúrese de que el producto está en la estación de carga y completamente cargado.

Pulse el botón  de encendido y el dispositivo empezará a crear un mapa en modo de barrido a lo largo de los bordes y, a continuación, a hacer una curva.







### 3. Pausa (reproductor multimedia)

Mientras el dispositivo está en funcionamiento, pulse el botón  de encendido para pausarlo.

### 4. Función de despertador

Todas las luces indicadoras del panel del dispositivo se apagan si el tiempo de pausa es de 10 minutos. Si necesita reanudar la tarea, pulse el botón  de encendido para despertar el dispositivo y, a continuación, vuelva a pulsar el botón  para que el dispositivo reanude la tarea original después de que se encienda la luz indicadora.

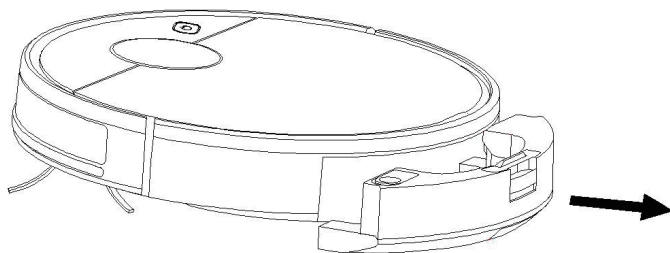
### 5. Volver al cargador para cargar

Consulte los ajustes de funcionalidad en la aplicación

\* Una vez finalizada la tarea, se recomienda no apagar el dispositivo y dejarlo en estado de carga para un mejor rendimiento en la siguiente tarea.

## III: Uso del producto/3.7 Inicie la función de mopa

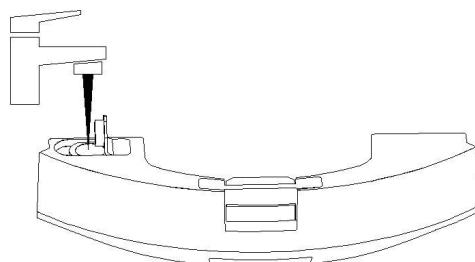
### 1. Retire el depósito de agua.



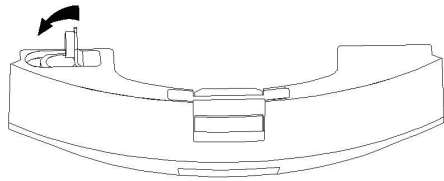
### 2. Abra la tapa del depósito y llénelo de agua limpia.

\*Se recomienda utilizar agua pura o descalcificada para prolongar la vida útil del depósito.

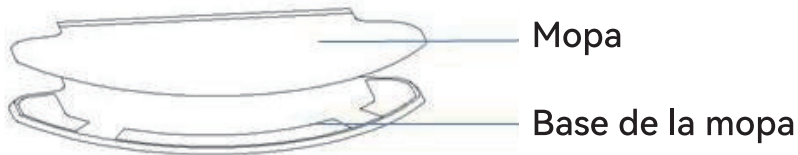
\*Está terminantemente prohibido utilizar agua sucia que contenga arena fina y partículas, que pueden dañar directamente el sistema automático de suministro de agua del motor de barrido.



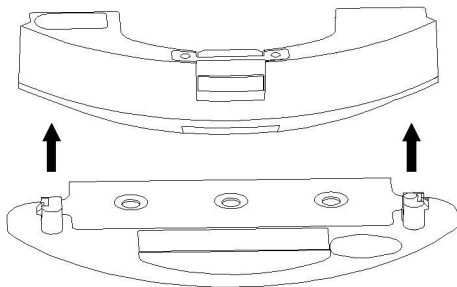
### 3. Cubra la tapa del depósito de agua



### 4. Instale el paño de la fregona en la base. Mopa lavable adherida al depósito



### 5. Instalación de la placa de acoplamiento al depósito de agua



### 6. Inserte de nuevo el conjunto de lavado en el aparato

NOTA: \* No utilice esta función sobre la alfombra. Retire la placa protectora y vacíe el depósito de agua cuando lo utilice sobre alfombras.

\* Deseche la mopa y vacíe el depósito de agua después del lavado

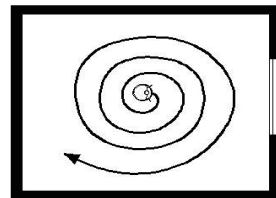


### III: Uso del producto/3.8 Selección del modo de barrido

Para adaptarse a las diferentes condiciones del suelo y realizar una limpieza en profundidad, este producto está equipado con una variedad de modos de barrido, que se pueden seleccionar a través del mando a distancia o cambiar a cualquier modo seleccionándolo en la app.

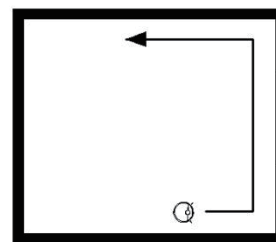
#### 1: Modo de punto fijo

Aplicable al entorno con mayor concentración de residuos, el dispositivo limpia en la zona designada para la limpieza centralizada con un recorrido en "espiral", un diámetro de 1 metro en el ámbito de la finalización de la limpieza, de vuelta al origen, como tocar los obstáculos en medio de la limpieza en espiral durante 2 minutos. Se realiza en la aplicación.



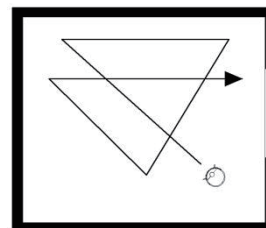
#### 2: Modo a lo largo de la pared

Adecuado para barrer las esquinas de la habitación, el aparato se desplaza a lo largo del perímetro de objetos fijos (como paredes). Barre en fila y vuelve a la posición de carga después de barrer. Esto se hace a través de la aplicación.



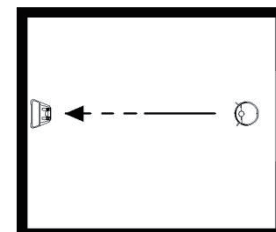
#### 3: Modo automático

Adecuado para entornos domésticos con alfombras gruesas. El dispositivo tiene dificultades para caminar sobre la alfombra; la máquina elegirá un suelo aleatorio para limpiar. Funcionamiento basado en la aplicación.



#### 4: De vuelta al cargador

Durante el proceso de limpieza, el dispositivo puede detectar su propia falta de energía y activar el modo "volver a cargar" de forma independiente para encontrar automáticamente la estación de carga. También es posible iniciar el modo "volver a cargar" activándolo en la aplicación.



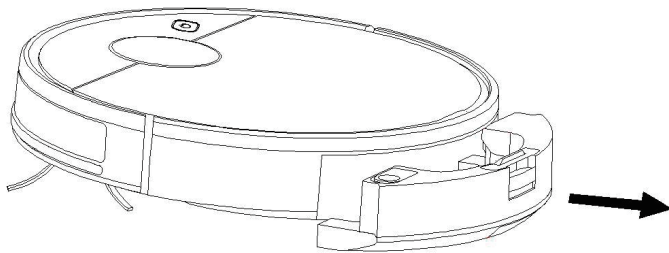
### IV: Mantenimiento de rutina / 4.1 Frecuencia de mantenimiento del producto

Para mantener el aparato en condiciones óptimas, consulte la siguiente tabla de componentes de mantenimiento

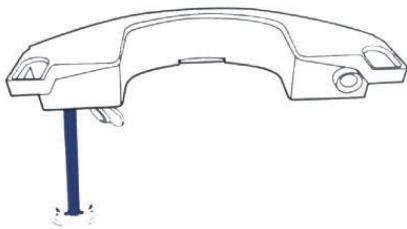
Nombre del componente	Frecuencia de mantenimiento	Frecuencia de sustitución
Mopa lavable	Después de cada uso	Sustituir cada 60 lavados
Tractor	Después de cada uso	
Brocha (para pintar)	Cada 2 semanas	Sustituir cada 4-6 meses
Escobilla intermedia	Cada 1 semana	Sustituir cada 8-12 meses
Filtro de algodón	Cada 1 semana	Sustituir cada 4-6 meses
Filtración de alta eficacia	Cada 1 semana	Sustituir cada 4-6 meses

#### IV: Mantenimiento de rutina / 4.2 Limpieza del depósito de agua

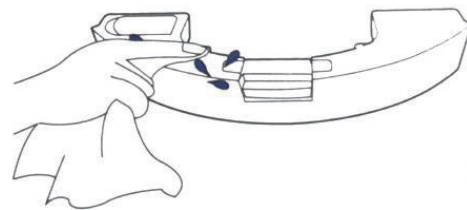
##### 1. Extraiga el depósito de agua



##### 2. Vacíe el agua del depósito

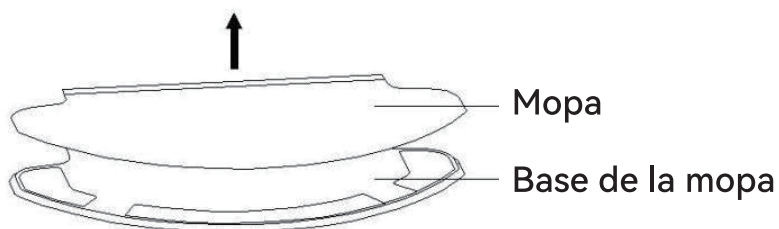


##### 3. Seque con un paño o de forma natural



#### IV: Mantenimiento de rutina / 4.3 Limpieza de la mopa lavable

##### 1. Retire la mopa lavable

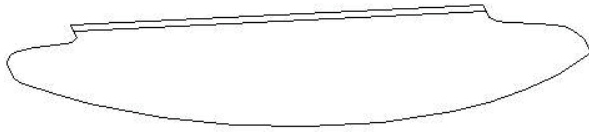


##### 2. Lave la mopa



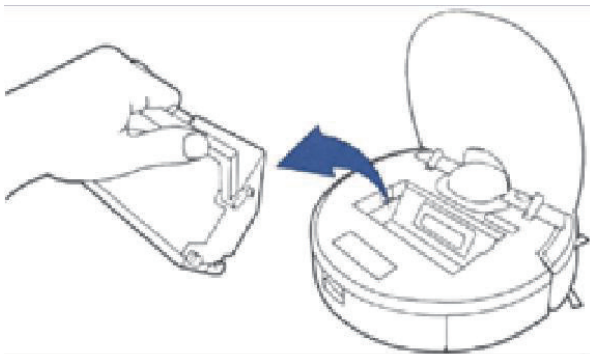
\* No utilice productos de limpieza fuertemente ácidos o alcalinos.

### 3. Deje secar

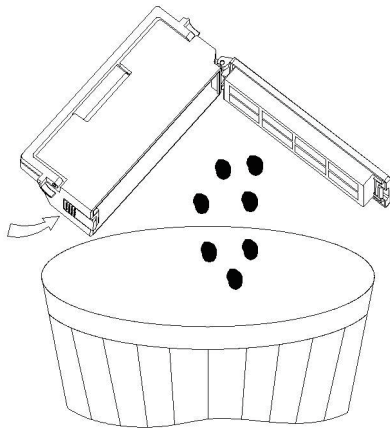


## IV: Mantenimiento de rutina /4.4 Depósito de polvo y filtros

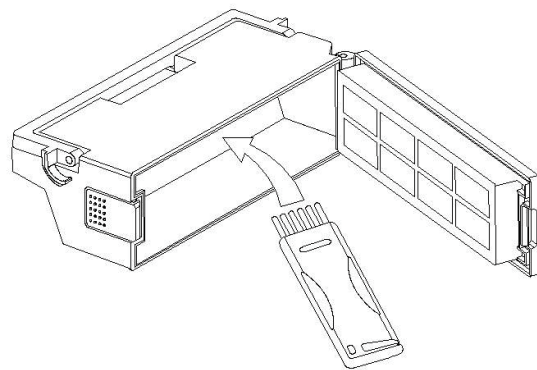
### 1. Abra la tapa y retire el depósito de polvo



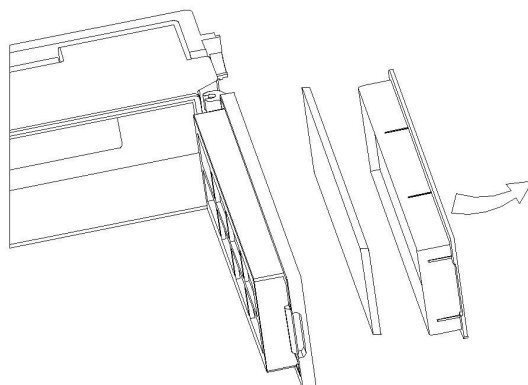
### 2. Pulse el botón situado en el lateral del cubo y extraiga la basura



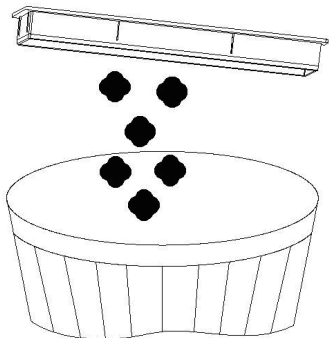
### 3. ???



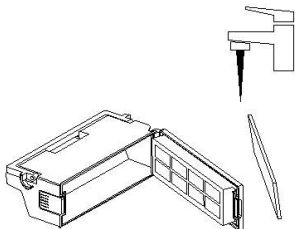
### 4. Retire la rejilla del filtro fino y el conjunto del filtro de alta eficiencia



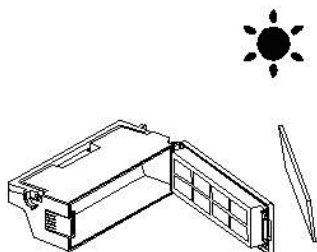
## 5. Vacíe los residuos del filtro de alta eficacia



## 6. Enjuague la caja de polvo y el filtro con agua



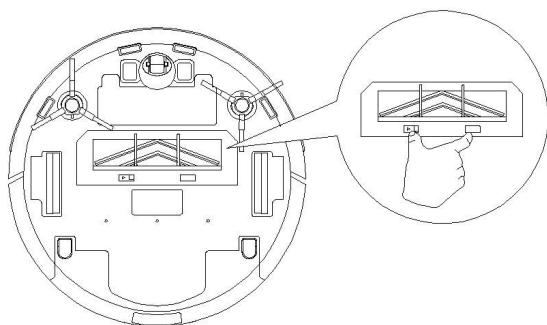
## 7. Seque el depósito de polvo y el filtro de malla fina al aire libre



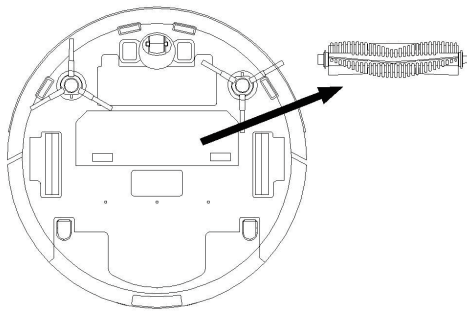
## IV: Mantenimiento de rutina /4.5 Escobilla rodante y escobilla lateral

### 1. Limpie la escobilla rodante

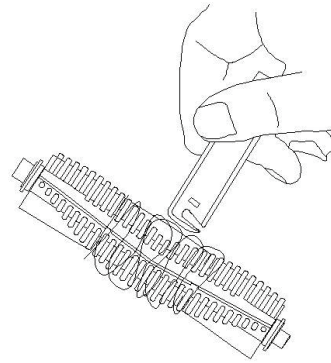
- ① Abra la tapa de la escobilla



② Retire la escobilla rodante

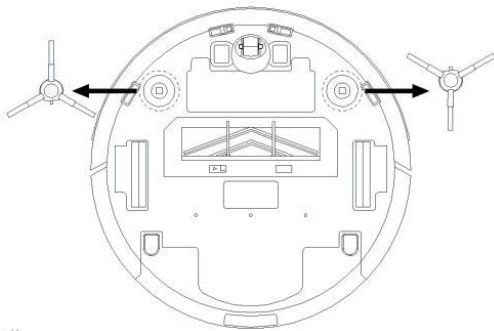


③ Limpie las escobillas rodantes con la herramienta de limpieza

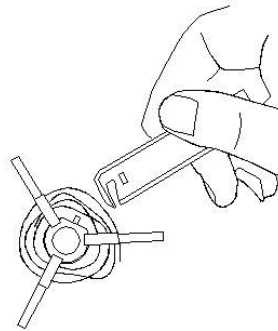


## 2.Limpieza de las escobillas laterales

① Retire la escobilla lateral

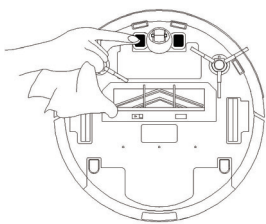


② Limpie las escobillas laterales con la herramienta de limpieza

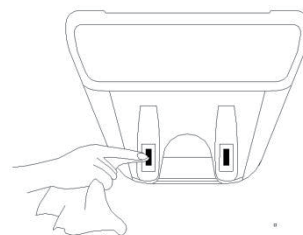


## IV: Mantenimiento de rutina /4.6 Postes de carga, postes de apoyo de recarga, ruedas motrices y ruedas giratorias

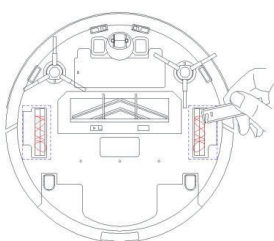
1. Limpie la parte de carga.  
\*Límpiala con un paño seco



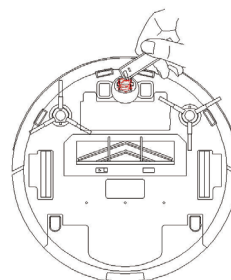
2. Limpie la pieza de carga de los postes de soporte.  
\*Limpiar con un paño seco.



3. Limpie las ruedas motrices.




4. Limpie el cardán.



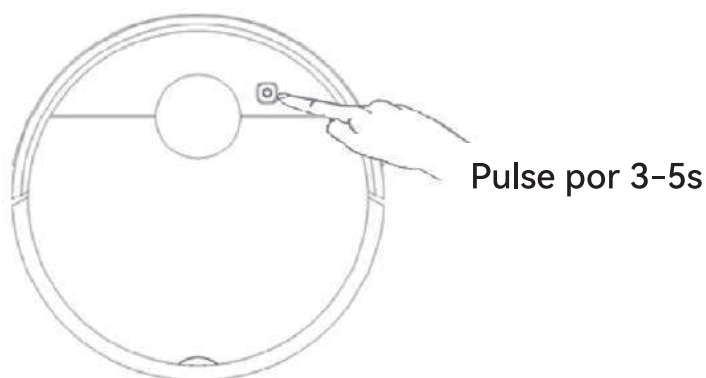


## IV: Mantenimiento de rutina /4.7 Almacenamiento de cierre

Si no lo va a utilizar durante mucho tiempo, cárguelo completamente antes de guardarlo. A continuación, púselo  durante 3 segundos para apagarlo y cárguelo cada mes y medio para evitar que la batería se descargue en exceso.

\*Una vez que el dispositivo haya terminado, se recomienda no apagarlo y mantenerlo en estado de carga para un mejor rendimiento en la siguiente tarea.

\*Si la batería está descargada o no se ha utilizado durante mucho tiempo, es posible que el producto no pueda cargarse. Póngase en contacto con nuestro sistema postventa. No lo desmonte usted mismo.



## V: Indicadores de estado

Efecto luminoso	Situación actual
Luz verde intermitente	En espera
Luz blanca intermitente durante la carga, luz verde siempre encendida cuando está completamente cargada	Carga
Luz verde siempre encendida	Escaneado en curso
Actualización de firmware en estado original, la actualización ha finalizado, la luz verde permanece encendida	Actualización de firmware

## VI: Definición de la función de la aplicación

Secuencias	Respuesta a comandos de la aplicación	Resumen de estado	Resumen funcional
1	Barrido general	Iniciar, pausar, reanudar el barrido	Puede iniciar y reanudar un barrido general desde la aplicación



2	Limpieza de sitios	Inicie y detenga barridos	El aparato entra en el estado de limpieza de puntos en espiral u otras formas de limpieza focalizada.
3	Recarga	Inicie, pause, continúe la recarga	El aparato comienza a cargarse de nuevo y busca la base de carga para recargarse
4	Ajuste de la potencia de aspiración	Tres niveles: silencioso, estándar, potente	
5	Programar una tarea de limpieza	<ol style="list-style-type: none"> <li>1. La hora se puede ajustar al minuto exacto</li> <li>2. Se puede ajustar la potencia de succión correspondiente: silencioso, estándar, potente, el ajuste predeterminado</li> <li>3. La cantidad de agua correspondiente se puede ajustar: baja, media, alta</li> <li>4. La barredora se puede reservar para la limpieza global</li> </ol>	Cuando llega la hora señalada, el aparato empieza a barrer y barre todas las zonas accesibles
6	Nivel de agua	Bajo, Medio, Alto. Predeterminado: Medio	Ajuste el volumen de agua según el nivel preestablecido en el aparato
7	Interruptor de la luz	Arrancar, Apagar	Encendido: Se ilumina según el estado preestablecido para realizar los cambios correspondientes, como: intermitente, siempre encendido, etc.
8	Ajustes de volumen	Silencio, control de volumen	Apagado: Las luces del lateral del aparato se apagan Silencio: el aparato no emite la voz correspondiente. Volumen: una vez ajustado, el dispositivo puede ajustar el volumen para emitir la voz correspondiente según el tamaño preestablecido.
9	Modo no molestar	Abierto: hora de inicio, hora de fin; apagado	<ol style="list-style-type: none"> <li>1. Active el modo "No molestar" y ajuste la hora correspondiente: el dispositivo no iniciará el barrido renovado de los puntos de interrupción, reservando el barrido; funcionará al apagar las luces y la voz.</li> <li>2. Apagar: el aparato responde instantáneamente a las órdenes</li> </ol>

			según el nivel de potencia y el tiempo de reserva
10	Actualización remota del firmware	Iniciar, cancelar actualización	según el nivel de potencia y el tiempo de reserva Los usuarios pueden comprobar si hay una nueva versión de software en el dispositivo a través de la app, y cuando haya una nueva versión de software, el usuario puede elegir actualizarla.
11	Instrucciones para otras aplicaciones	Iniciar sesión, Registrarse, Compartir dispositivo, Añadir dispositivo, Comentarios sobre el mensaje del dispositivo, Eliminar dispositivo, Nombre del dispositivo, Manual del usuario, Punto de reparación, Comentarios	
12	Restablecer ajustes de fábrica	Añadir restablecimiento de fábrica a "pantalla de ajustes	Se pueden restablecer los valores predeterminados de fábrica del dispositivo, por ejemplo, el volumen, las luces, etc., borrar el registro previo al barrido; desconectar la conexión de red, etc.
13	Conmutación de paquetes de voz	Operación de activación de aplicaciones	Cambia entre los ajustes de inglés y chino en la APP y la máquina responde a diferentes paquetes de voz
14	Información de ruta		Información real de la ruta de la máquina en el dispositivo
15	Información sobre el bloque de carga	Icono de estación de carga	La ubicación de la base de carga se reconoce en el dispositivo y se muestra como un icono específico en el mapa.
16	Información sobre la posición del robot	Iconos de robot	El dispositivo reconoce la ubicación de la base de carga y la muestra como un icono específico en el mapa.
17	Información sobre el nivel de la batería	Porcentaje de batería	El dispositivo reconoce a tiempo el nivel de batería y lo transmite a la aplicación para su visualización
18	Información sobre el tiempo de barrido	Área de barrido individual: cálculo por metro cuadrado	Barrido global de máquinas, barrido de zonas, dónde barrer, tiempo de barrido único para barridos programados
19	Información sobre el área de barrido	Área de barrido individual: cálculo por minuto	Barrido global de máquinas, barrido de zonas, dónde barrer, tiempo de barrido único para barridos programados
20	Máquina	Pausa, recarga, limpieza	Identifica el estado de la máquina

	Información de estado	Modo de espera, carga, avería, actualización, etc.	
21	Información sobre la versión del firmware	Información sobre la versión del aparato	Información sobre el aparato
22	Acumulación de consumibles		Tiempo de uso acumulado de la escobilla lateral, la escobilla rodante y el sistema H-hepa
23	Registros de barrido	1. Superficie acumulada (m <sup>2</sup> ), tiempos acumulados, tiempo acumulado (min). 2.Registro de barrido único: fecha de barrido, hora de inicio del barrido, área de barrido (m <sup>2</sup> ), tiempo de barrido (min).	Los usuarios pueden consultar el historial de limpieza de la máquina del periodo anterior a través de la app
24	Información sobre excepciones	Por ejemplo, mensaje estándar de rueda atascada	
25	Información del equipamiento	Muestra el nombre wifi, la intensidad de la señal, el valor RSSI, la dirección IP, la dirección Mac, etc. de la conexión actual del dispositivo	

## VII: Resolución de problemas /7.1 Resolución de problemas comunes

Si se encuentra con las siguientes situaciones durante el uso del producto, puede consultar la tabla y resolver el problema de forma independiente.

Número de serie	Estado del defecto	Motivos posibles	Solución
1	El dispositivo no puede conectarse a la aplicación	El dispositivo no puede conectarse a la aplicación	Configure el router, asegurándose de haber introducido el nombre de usuario y la contraseña correctos.
		El dispositivo no está dentro de la cobertura de la señal de red del router	Asegúrese de que el dispositivo se encuentra dentro de la cobertura de señal de red del router.
		El dispositivo no está en estado de configuración pendiente.	El dispositivo sólo puede configurarse a la red cuando se encuentra en estado pendiente de configuración. Encienda el dispositivo, abra la tapa y pulse

			el botón wifi hasta que oiga un pitido, es decir, el dispositivo entra en el estado de configuración pendiente.
		No se está utilizando la red 2.4G (red 4G).	Configure la distribución de la red 2.4G al conectarse
		Es posible que haya descargado la aplicación incorrecta.	Escanee el código QR de este producto o vaya a la tienda de aplicaciones para descargar la aplicación "pjrobot" o "Smart Life."
4	El depósito de agua se ha salido.	La instalación no está en su sitio	Al instalar, presione firmemente y escuche un "clic" para asegurarse de que el depósito está instalado correctamente.
5	Las escobillas laterales se han salido.	La instalación no está en su sitio	Debe oír un "clic" al instalar para asegurarse de que las escobillas laterales están instaladas correctamente.
6	El aparato no encuentra el cargador.	Colocación incorrecta de la estación de carga	Siga las instrucciones de la sección "Carga del cuadro principal" del manual para volver a colocarlo en la estación de carga.
		La estación de carga ha sido desconectada o desplazada artificialmente	Compruebe que el cargador está conectado a la red eléctrica. No desplace artificialmente la posición del cargador.
		El cuadro principal ha estado suspendido durante más de 90 minutos	Se recomienda no poner en pausa el cuadro principal durante más de 90 minutos. Para garantizar un funcionamiento sin problemas, deje que el aparato complete la tarea de limpieza por sí solo y evite en la medida de lo posible las pausas en cada movimiento.
		El camino de carga está bloqueado. Por ejemplo, la puerta de la habitación con una estación de carga está cerrada.	Mantenga limpio el camino de carga.
7	El aparato vuelve a	Cuando el entorno doméstico	Limpie el entorno

	El depósito de agua se ha salido.	es demasiado complejo, la eficacia de la limpieza se reducirá y es posible que el aparato no termine de limpiar.	doméstico
8	El aparato no se carga	El poste de carga del dispositivo y el soporte recargable no están en pleno contacto	Asegúrese de que los postes de carga de la aspiradora y la estación de carga están completamente alineados y que el botón parpadea en blanco. Compruebe que los postes de carga del aparato y la base de la estación están sucios, puede consultar la sección "Mantenimiento de rutina" del manual para limpiarlos.
		El cargador no está conectado al adaptador	Asegúrese de que la estación de carga está conectada a la red eléctrica.
		Los periodos prolongados de inactividad provocan una descarga excesiva de la batería.	Se recomienda utilizar este producto con frecuencia. Si el aparato no se utiliza durante mucho tiempo, lo que puede provocar que no se pueda cargar, póngase en contacto con el equipo de servicio posventa.
9	Cuando el aparato está en marcha, hace mucho ruido.	Las escobillas laterales, las escobillas rodantes se enredan, los depósitos de polvo, los filtros se obstruyen, etc.	Se recomienda limpiar y mantener periódicamente las escobillas laterales, las escobillas de los rodillos, los depósitos de polvo, el material filtrante, etc.
		El aparato pasa al modo de barrido.	Se recomienda cambiar al modo estándar o silencioso.
10	El cuadro principal tiene problemas de funcionamiento	El aparato se ha enredado u obstruido por cables sueltos en el suelo, la tela de las cortinas o el pelo de la alfombra.	El aparato intentará varios métodos para salir del problema por sí solo. Si falla, se recomienda ayudarlo manualmente.
		El aparato puede quedar atrapado en muebles altos	Se recomienda acolchar o cubrir artificialmente los muebles.
		Al utilizar la función mopa, la capacidad del aparato para atravesar obstáculos puede verse reducida.	Ayude al dispositivo a resolver problemas al atravesar zonas inclinadas.

11	Cuando el aparato está funcionando, se producen situaciones caóticas como desvíos de la ruta, limpiezas repetidas y fallos en el reconocimiento de zonas pequeñas. (Si hay una zona grande que no se ha limpiado durante algún tiempo, no se preocupe, a veces el aparato repara los fallos por sí mismo. A veces, el aparato entra en una habitación que ya se ha limpiado. Es posible que no limpie repetidamente, pero que repare las averías por sí solo).	Los cables, las zapatillas y otros objetos en el suelo afectan al funcionamiento del dispositivo.	Antes de encender el aparato, ordene los cables, zapatillas y otros objetos esparcidos por el suelo para minimizar la colocación de objetos esparcidos por el suelo.
		Esto puede deberse a que el aparato resbale en el suelo al subir escalones, umbrales y barras de puertas, lo que afecta a la evaluación del aparato en relación con todo el entorno doméstico.	Se recomienda cerrar la puerta de la zona y limpiarla individualmente. El aparato volverá al punto de partida una vez que haya terminado la limpieza.
		Debido a los diferentes entornos domésticos, el aparato no puede acceder a zonas concretas para su limpieza.	Se recomienda organizar el entorno doméstico de forma que el aparato quede accesible para su limpieza.
		El funcionamiento sobre suelos pulidos y encerados puede provocar una reducción de la fricción entre las ruedas motrices y el suelo.	Se recomienda esperar a que la cera se haya secado antes de utilizar el aparato.
12	El dispositivo no puede conectarse a la red wifi doméstica	Nombre de usuario y contraseña incorrectos para la red wifi doméstica.	Introduzca el nombre de usuario y la contraseña correctos
		El aparato está fuera del alcance de la señal wifi.	Asegúrese de que el dispositivo está dentro del alcance de la señal wifi.
		El aparato no está preparado para distribuir la red mientras la red está conectada.	Pulse la luz wifi, parpadea lentamente en el estado de encendido para indicar que el dispositivo está listo para la distribución de la red.
13	Se ha filtrado ceniza mientras el dispositivo estaba en funcionamiento	La salida del depósito de polvo está atascada con objetos externos	Retire el depósito de polvo y limpie los objetos externos de la entrada del depósito de polvo.
14	Hay suciedad en la base de la estación de carga	Cae polvo de la escobilla del aparato	Siga las instrucciones de "Mantenimiento de rutina/Limpieza de las escobillas principales."

## VII: Resolución de problemas /7.2 Conexión wifi

- Antes de configurar wifi, asegúrese de que el dispositivo, su teléfono móvil y la red wifi cumplen los siguientes requisitos.
- Requisitos del dispositivo y del teléfono:
- El dispositivo está completamente cargado y encendido.

- La luz de estado wifi parpadea.
- Desconecte los datos móviles en su teléfono (se pueden volver a conectar una vez finalizada la configuración).
- Requisitos de la red wifi:
- Utilice una red de 2,4 GHz.
- El router soporta los protocolos 802.11b/g/n e IPv4.
- No utilice una VPN (red privada virtual) ni un servidor proxy
- No utilice redes ocultas.
- WPA y WPA2 utilizando TKIP, PSK, AES/CCMP.
- WEP EAP (Enterprise Authentication Protocol) no es compatible.
- Utilice wifi TIC 1-11 en Norteamérica y wifi TIC 1-13 fuera de Norteamérica (consulte con su organismo regulador local).
- Si utiliza un extensor/repetidor de red, el nombre de red (SSID) y la contraseña de la red principal son idénticos.

## VIII: Parámetros del producto

Modelo del producto	J02/J03
Entrada nominal	20V $\overline{\text{---}}$ 900MA o 24V $\overline{\text{---}}$ 900MA
Tempo de carga	3-4 horas
Potencia nominal	20W
Modelo de la estación de carga	J02/J03
Tensión de la entrada del cargador	20V $\overline{\text{---}}$ 1200MA o 24V $\overline{\text{---}}$ 1000MA
Tensión de la salida del cargador	20V $\overline{\text{---}}$ 200MA o 24V $\overline{\text{---}}$ 900MA
Modelo del adaptador	
Tensión de salida del adaptador	0V $\overline{\text{---}}$ 1200MA o 24V $\overline{\text{---}}$ 1000MA

Categoría de piezas	Materiales nocivos					
	Plomo (Pb) y sus componentes	Mercurio (Hg) y sus componentes	Cadmio (Cd) y sus componentes	Cromo hexavalente (Cr(VI)) y sus componentes	Benceno polibromado (PBB)	Éteres difenílicos polibromados (PBDE)
Pieza de plástico	○	○	○	○	○	○
Hardware	×	○	○	○	○	○
Módulo de circuito de la placa base	×	○	○	○	○	○
Componente		○	×	○	○	○

Electrónica						
Baterías	○	○	○	○	○	○
Enchufe del cable de alimentación	×	○	○	○	○	○

Nota: Este formulario se basa en las disposiciones de SJ/T11364

○: Indica que el contenido de la sustancia nociva en todos los materiales homogéneos del componente está por debajo del umbral exigido por la versión vigente de GB/T26572.

×: Indica que el contenido de la sustancia nociva en al menos un material homogéneo del componente supera el requisito de umbral especificado en la versión actual en vigor de GB/T227572 y no existe ninguna alternativa desarrollada por la industria que cumpla los requisitos de protección medioambiental de la Directiva RoHS de la UE.

⑩ Los números de este icono indican que el periodo de protección medioambiental del producto en condiciones normales de uso es de 10 años.

Norma de aplicación:

**GB4706. 1-2005      GB4706. 7-2014**  
**GB4343. 1-2018      GB17625. 1-2012**

FABRICADO EN CHINA  
Estándar ejecutivo: Q/PJZN1-2021

