

## Instruction Manual

Thanks for purchasing. Please read this product manual carefully before use. Please save it after reading for future reference.



**Thanks for purchasing our Intelligent Robot Cleaner. We believe our product will facilitate a smart and more comfortable lifestyle for you! Should you have any problem with our products, please contact our after-sale service centre for help**

Design, features and specifications are subject to change without prior notice and we reserve the right to update the product at any time.

## Table of contents

- Important Safety Instructions

- About your Robot Vacuum Cleaner

What's in the Box

Robot Vacuum Cleaner Anatomy

LED Indication

- Using your Robot Vacuum Cleaner

Important Tips Before Use

Preparation

Charge Your Robot Vacuum Cleaner

Start/Stop Cleaning

Select A Cleaning Mode

Set Time and Scheduled Cleaning

- Cleaning and Maintenance

Clean the Dust Collector and Filters

Clean the Rolling Brush

Clean the Side Brushes


Replace the Side Brushes

Clean the Sensors and Charging Pins

Clean the Swivel Wheel

- Troubleshooting

- Specifications



Thank you for purchasing our Robot Vacuum Cleaner, read all instructions before using this product, and keep it properly for future reference.

## Important Safety Instructions

To reduce the risk of injury or damage, read these safety instructions carefully and keep them at hand when setting up, using, and maintaining this device.



### WARNING SYMBOLS USED

To reduce the risk of injury or damage, read these safety instructions carefully and keep them at hand when setting up, using, and maintaining this device.

- This device can be used by children aged from 8 years and above and people with reduced physical, sensory or mental capabilities or lack of experience and knowledge if they have been given supervision or instruction concerning use of this device in a safe way and understand the hazards involved.
- Children should be supervised to ensure they do not play with this device.
- Cleaning and maintenance should not be performed by children without adult supervision.
- This device is only to be used with the power supply unit provided.
- For purposes of recharging the battery, only use detachable power supply unit provided with this device.
- The battery must be removed from this device before it is disposed of. To remove the battery from this device, first remove the screws on the bottom, then remove the main PCB and unscrew the battery cover using a screwdriver. Remove the battery by disconnecting the quick connector.
- The used battery should be placed in a sealed plastic bag and disposed of safely according to local environmental regulations.
- The external flexible cable of cord of the power supply unit cannot be replaced; if the cord is damaged, the power supply shall be disposed of.
- This device is for indoor use only.
- This device is not a toy. Do not sit or stand on this device. Small children and pets should be supervised when this device is operating.
- Store and operate this device in room temperature environments only.
- Clean with a cloth dampened with water only.
- Do not use this device to pick up anything that is burning or smoking.

- Do not use this device to pick up spills of bleach, paint, chemicals, or anything wet.
- Before using this device, pick up objects like clothing and loose paper. Lift up cords for blinds or curtains, and move power cords and fragile objects out of the way. If this device passes over a power cord and drags it, an object could be pulled off a table or shelf.
- If the room to be cleaned has a balcony, a physical barrier should be used to prevent access to the balcony and to ensure safe operation.
- Do not place anything on top of this device.
- Be aware that this device moves around on its own. Be careful when walking in the area where this device is operating to avoid stepping on it.
- Do not operate this device in areas with exposed electrical outlets on the floor.
- Do not expose the electronics of this device, its battery, or the integrated charging base. There are no user-serviceable parts inside.
- Do not use this device on an unfinished, unsealed, waxed or rough floor. It may result in damage to the floor and this device. Use only on hard floor surfaces or low-pile carpet.
- This device has been designed to be used on floors without scratching them. We still recommend that you test this device on a small area of the room to be cleaned to ensure no scratches are made before the whole room.

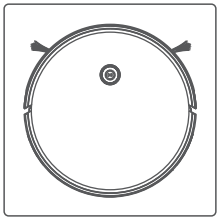
### Notice



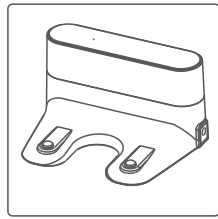
This symbol on the device or its packaging indicates: Do not dispose of electrical appliances as unsorted municipal waste; use separate collection facilities. Contact your local authority for information regarding the collection systems available. If electrical appliances are disposed of in landfills or dumps, hazardous substances can leak into the groundwater and get into the food chain, damaging your health and well-being. When replacing old appliances with new ones, the retailer is legally obliged to take back your old appliances for disposal at least free of charge.

## About Your Robot Vacuum Cleaner

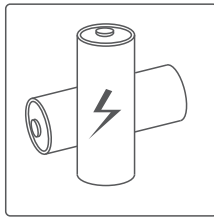
### What's in the Box



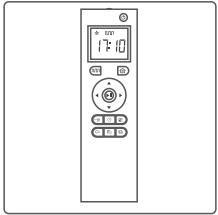
Robot Vacuum Cleaner



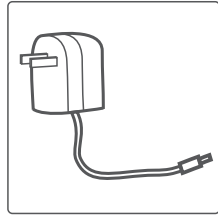
Charging Base



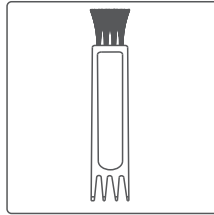
AAA Battery x2(Optional)



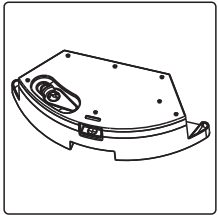
Remote control



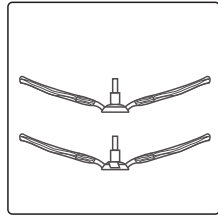
Power Adapter



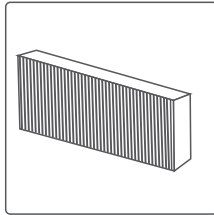
Cleaning Tool



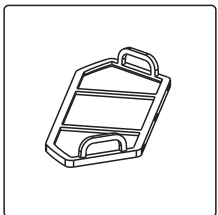
Water Tank (Optional)



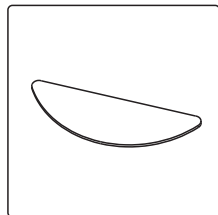
Side Brushes



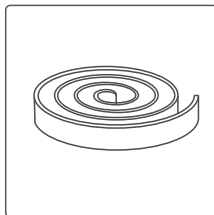
Additional HEPA Filter



Prefilter

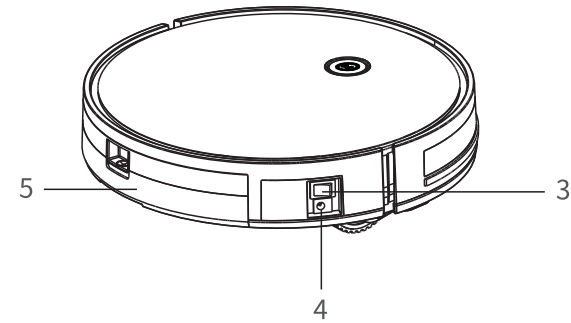
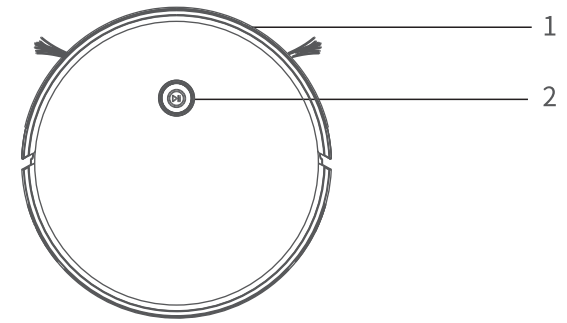


Mop-Cloth (Optional)



Magnetic Tape(Optional)

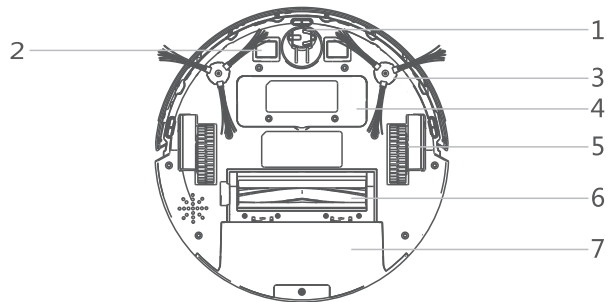
## Robot Vacuum Cleaner Anatomy



### Top & Side

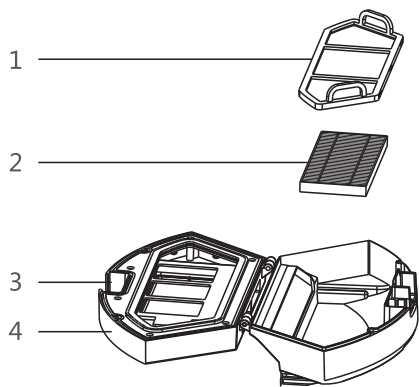
- 1. Front Bumper      2. Control Button      3. Power on/off button
- 4. DC power supply inlet      5. Dust Collector





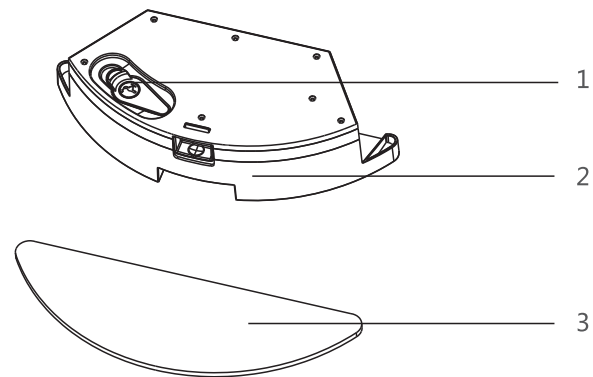
**Bottom**

1. Universal wheel 2. Charging electrode 3. Side brush 4. Battery cap  
5. Wheel 6. Rolling brush 7. Dust Collector



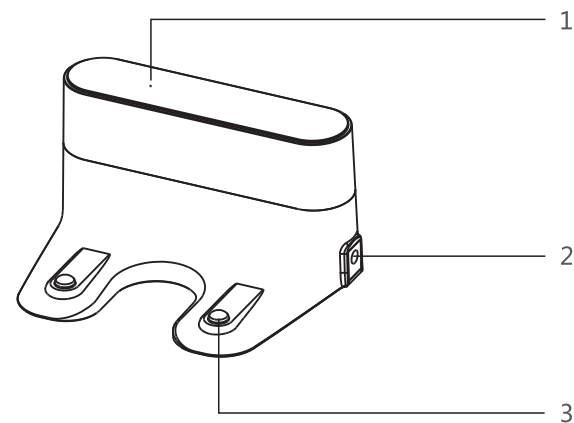
**Dust Collector**

1. Prefilter 2. HEPA filter 3. Dust bin 4. Cover of dust bin



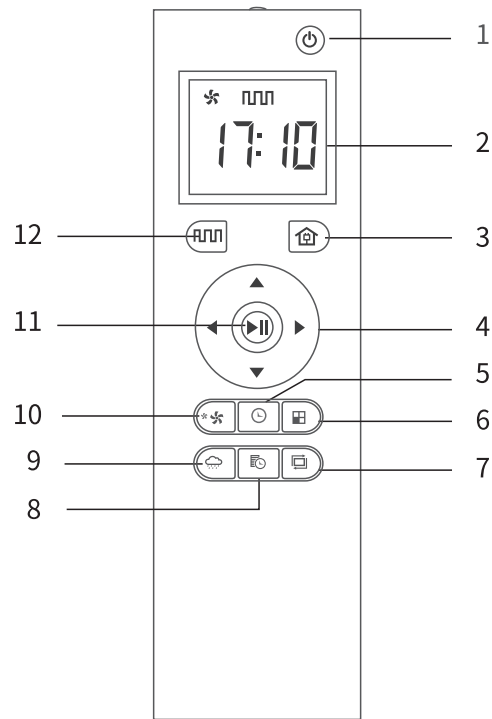
**Water tank (Optional)**

1. Cap lid 2. Water tank 3. Mopping cloth



**Charging Base**

1. Light indicator 2. DC power inlet 3. Charge contactor



### Remote Control

1. Power on/off    2. LCD Display    3. Auto charging    4. Direction key  
 5. Clock setting    6. Spot cleaning mode    7. Edge cleaning mode  
 8. Scheduled cleaning mode    9. Mopping mode    10. Suction setting key  
 11. Confirmation key    12. Auto mode



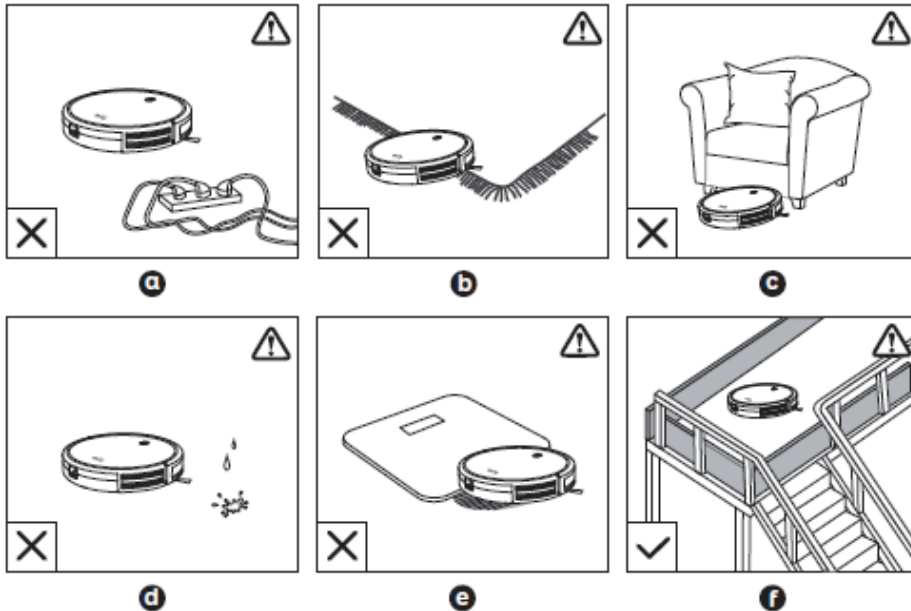
Install 2 AAA batteries before using the remote control for the first time. Make sure the positive and negative ends are facing the correct polarity direction as marked in the battery compartment.

### LED Indication

Status Light	Status
On/Off Status	<p>Solid Green light on the Robot Cleaner</p> <ul style="list-style-type: none"> <li>When the Power switch on the Robot Vacuum Cleaner is being turned on, the green light appears.</li> <li> on Robot Cleaner or  button on remote control, the Robot Cleaner will start working, and the green light appears.</li> </ul>
Error Status	<p>Flashing Red Light on the Robot Vacuum Cleaner</p> <ul style="list-style-type: none"> <li>Check if the roller brush is stuck.</li> <li>Check if Left wheel or Right wheel are stuck.</li> <li>Check if the side brushes are stuck.</li> <li>Check if the Swivel wheel is stuck.</li> <li>Check if the device is suddenly picked up or cannot return from stairs.</li> <li>Check if the battery is overheated.</li> <li>Check if the bumper is stuck.</li> </ul>
Standby Status	<p>Light goes off from green light on the Robot Vacuum Cleaner</p> <ul style="list-style-type: none"> <li>If the Robot Vacuum Cleaner does not respond to any instructions over 30 minutes once the power switch is turned on, the device goes to standby mode, and the green light will be turned off.</li> </ul>
Charging Status	<p>Green light &amp; Red Light flash alternatively on the Robot Vacuum Cleaner</p> <ul style="list-style-type: none"> <li>When the battery power is low, the Robot Vacuum Cleaner will search for the Charging Base, Green light/Red light will blink alternatively. (Once it finds the Charging base and starts charging, the light turns back to green; when the battery is fully charged, the light will go off automatically)</li> </ul>
Network Matching Status	<p>Green light flash 3 times every second</p> <ul style="list-style-type: none"> <li>When the Robot Vacuum Cleaner is being connected to the network through WIFI.</li> </ul>
	<p>Green light flash every 1.5 seconds</p> <ul style="list-style-type: none"> <li>When the Robot Vacuum Cleaner is being connected to the shared hot-spot or WIFI Modular.</li> </ul>

## Using Your Robot Vacuum Cleaner

### Important Tips before Use



A) Remove power cords and small objects from the floor that may entangle the Robot Vacuum Cleaner.

B) Fold tasseled edges of area rugs underneath to prevent tangling the Robot Vacuum Cleaner. Avoid cleaning very dark-colored high-pile rugs or rugs thicker than 1.02 in/26 mm as they may cause the Robot Vacuum Cleaner to malfunction.

C) Keep the Robot Vacuum Cleaner away from spaces lower than 3.15in/80mm to prevent it from getting stuck. If necessary, place a physical barrier to block off the problem areas.

D) Keep the Robot Vacuum Cleaner away from wet areas.

E) The Robot Vacuum Cleaner may climb on top of objects less than 0.63in/16mm in height. Remove these objects if possible.

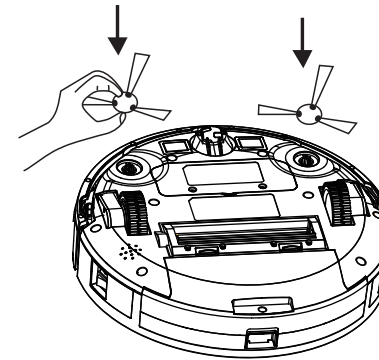
F) Anti-drop sensors prevent the Robot Vacuum Cleaner from tumbling down stairs and steep drops. They may work less effectively if dirty or used on reflective/ very dark-colored floors. It is recommended to place physical barriers to block off areas where the Robot Vacuum may fall.



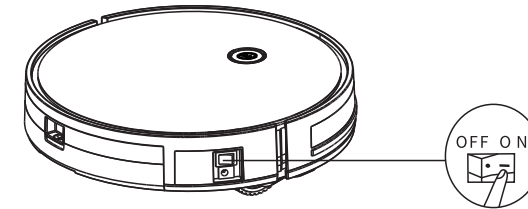
Place physical barriers in front of fireplaces and areas that may cause damage to the Robot Vacuum Cleaner if entered.

### Preparation

① Install the side brushes before use.

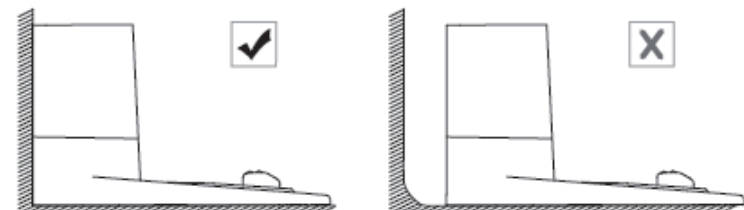


② Turn on the main power switch on the bottom of the Robot Vacuum Cleaner.

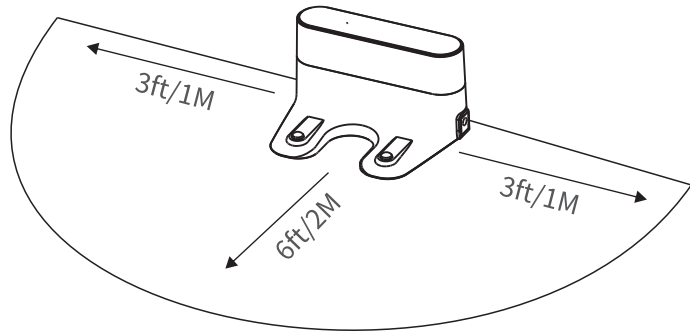


Remove the sticker next to the power switch, and the foam blocks beside the bumper before use.

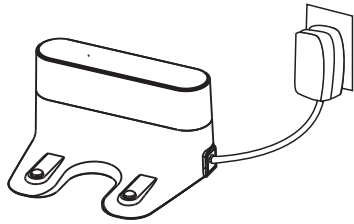
③ Place the Charging Base on a hard, level surface and against a wall.



- ④ Remove objects within 3ft/1m of the left and right side and within 6ft/2m of the front of the charging base.



- ⑤ Connect the round connector of the adapter into the power socket on the Charging Base and the other end into a wall outlet.




- Install the Charging Base in a location that the Robot Vacuum Cleaner can easily access. It is recommended to place the Charging Base against a wall, and on a hard-level surface rather than on rugs or carpets.
- Always keep the Charging Base plugged in, otherwise, the Robot Vacuum Cleaner will not automatically return to it.

## Charge Your Robot Vacuum Cleaner

- The Robot Vacuum Cleaner has a pre-installed rechargeable battery that has to be carefully charged before use.
- The Robot Vacuum Cleaner returns to the Charging Base at the end of a cleaning cycle or when its battery is running low.

Method 1: Attach the Robot Vacuum Cleaner to the Charging Base by aligning its charging pins with the charging pins on the base (Figure 1).

Method 2: Press  on the remote control to return the Robot Vacuum Cleaner to the Charging Base (Figure 2).

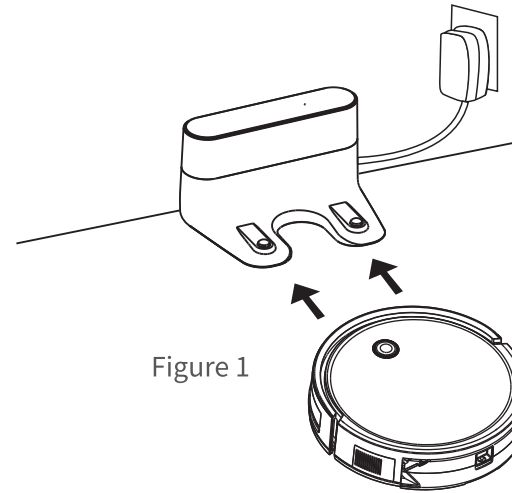


Figure 1

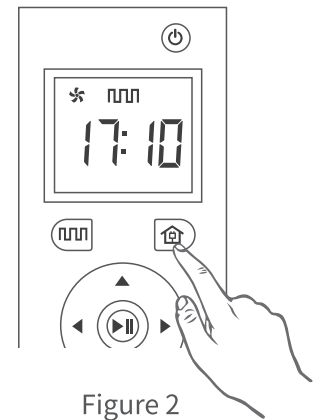


Figure 2







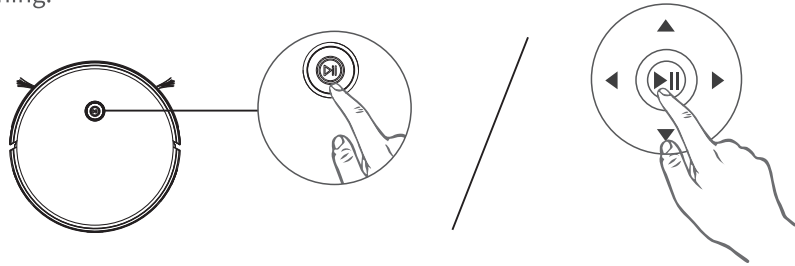
- Turn of the main power switch if the Robot Vacuum Cleaner will not be used for a long period of time. To preserve the battery's lifespan, recharge at least once every 6 months.

## Start/Stop Cleaning



Make sure the main power switch on the bottom of the Robot Vacuum Cleaner is turned on before use.




1. Press  on the Robot Vacuum Cleaner or  on the remote control to start cleaning.
2. Press  on the Robot Vacuum Cleaner or  on the remote control to stop cleaning.

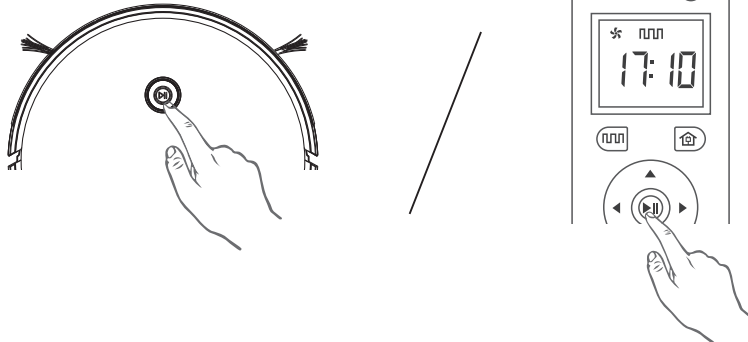


## Select a Cleaning Mode

### 1. Auto Cleaning


The Robot Vacuum Cleaner optimizes its cleaning path by selecting different cleaning modes automatically until cleaning is complete. This is the most commonly used cleaning mode.


Press  on the Robot Vacuum Cleaner or  or  on the remote control to start cleaning in Auto mode.





- The Robot Vacuum Cleaner will return to the Charging base automatically when the battery level becomes low or when it finishes cleaning.
- By Default, the Robot Vacuum Cleaner starts in Auto cleaning mode when it is turned on.

## 1200pa and 1800pa Two Stages Suction Power Feature

When  is pressed under Auto Cleaning mode, the Robot Vacuum Cleaner will automatically switch the suction power between 1200pa and 1800pa. For thicker carpets and hard-to-sweep messes, 1800pa suction power is recommended, which will reduce the total cleaning time, but increase the noise level. If the vacuuming noise caused by this feature disturbs you, you can switch to 1200pa to reduce the noise. (This feature works in Auto mode and Spot mode and Edge mode)

In Auto or Spot cleaning and Edge cleaning mode, press  on the remote control repeatedly to adjust the suction power level.

The corresponding icon is displayed on the remote control

Icon	Suction Power Level
 Standard	Standard power of 1200pa
 Enhanced	Enhanced power of 1800pa

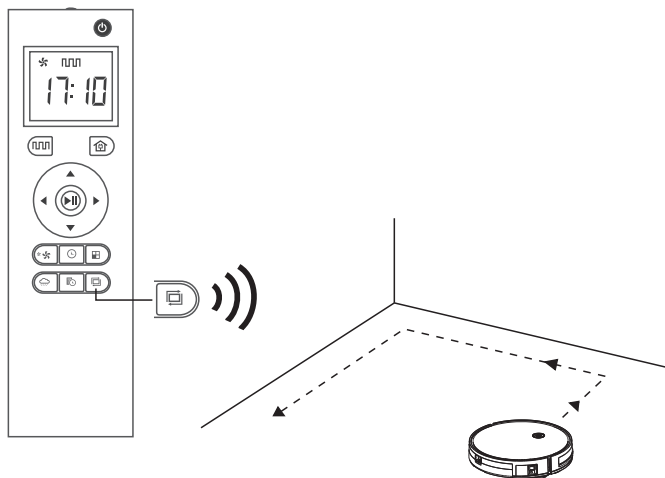


When the Robot Vacuum Cleaner starts cleaning in Auto or Spot cleaning or Edge cleaning mode the next time, it will clean according to the suction power level you previously selected. When the Robot Vacuum Cleaner is switched off and started again, it will clean in standard suction power of 1200pa.

## 2. Edge Cleaning

The Robot Vacuum Cleaner reduces its speed when it detects a wall and then follows the wall to ensure the edge is cleaned thoroughly. In Edge mode, the Robot Vacuum Cleaner will clean for 20 minutes and return to the Charging base.

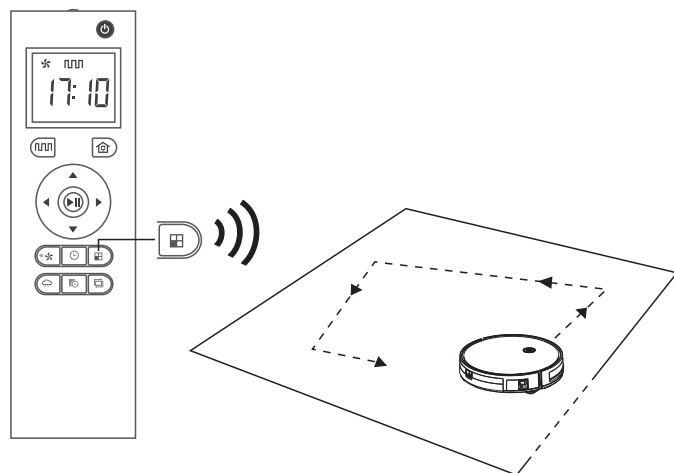
Press  on the remote control to start cleaning in Edge mode.



## 3. Spot Cleaning

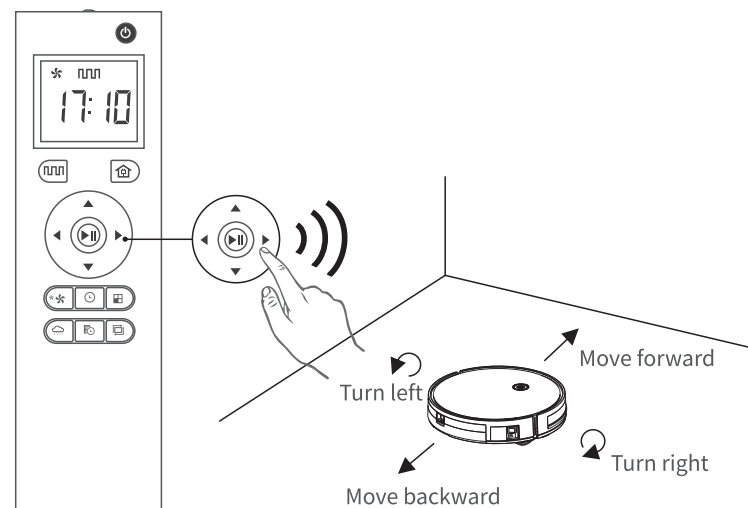
Press this key to clean the fixed area firstly in spiral way outwards, when the radius of outer circle is close to 0.5 meter, the machine will then clean the fixed area in spiral way inwards to starting point.

Press  on the remote control to start cleaning in Spot Mode.



## 4. Manual Cleaning

You can direct the Robot Vacuum Cleaner to clean a particular area by using the directional buttons on the remote control.



## 5. Mopping mode








Press  to switch to low, medium, high level to control water flow of water tank.

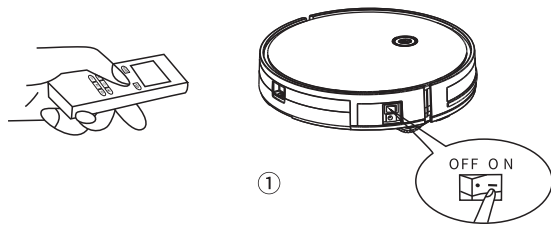
## Set Time and Scheduled Cleaning

### Set Time

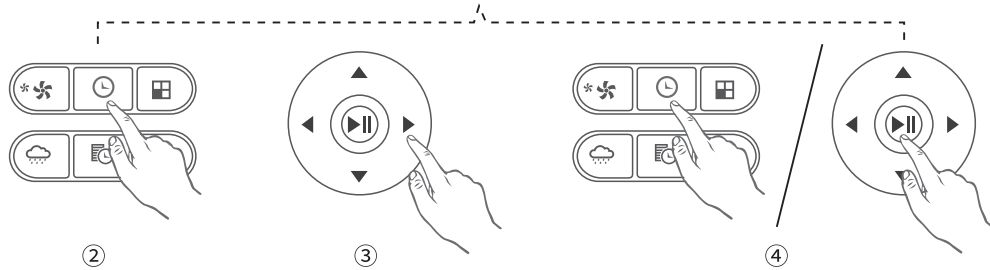


Make sure the time is set correctly to your local time before setting a scheduled cleaning.

- ① Make sure the main power switch on the bottom of Robot Vacuum Cleaner is turned on.
- ② Press  on the remote control, the time will blink on the display.
- ③ Press     to set the “hour” and “minute” (time is set with 24 hours).
- ④ Press  or  to save the setting.



①



②

③

④

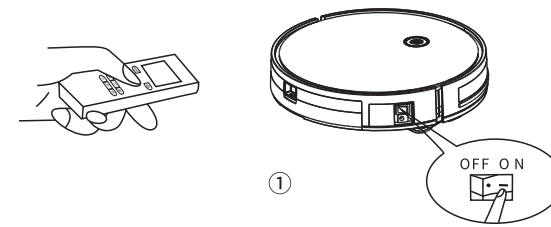


To ensure the time is set successfully, make sure the Robot Vacuum Cleaner is turned on.

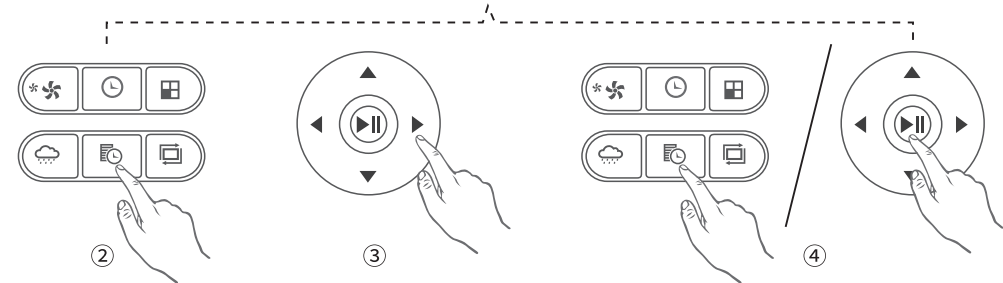
### Set a Scheduled Cleaning

You can schedule the Robot Vacuum Cleaner to start cleaning at a specified time. To cancel a previously scheduled cleaning, press and hold for 3 seconds until the voice reminder confirms the canceling process is done and disappears. Note: Before setting a scheduled cleaning, make sure the time has been set correctly to your local time; refer to the previous section “Set Time” for how to set the time.

- ① Make sure the main power switch on the bottom of the Robot Vacuum Cleaner is turned on.
- ② Press on the remote control, the time will blink on the display.
- ③ Press to set the “hour” and “minute” (time is set with 24 hours).
- ④ Press or to save the setting. will appear on the screen, and the voice reminder will confirm that the scheduled cleaning is successfully set.



①



②

③

④



To ensure the time is set successfully, make sure the Robot Vacuum Cleaner is turned on. You will hear the voice reminder telling you the scheduled cleaning is set.



## Cleaning and Maintenance

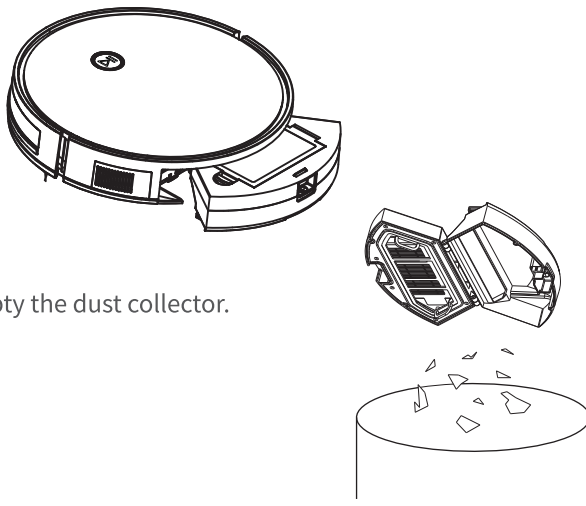
For optimal performance, follow the instructions below to clean and maintain the Robot Vacuum Cleaner regularly. The cleaning/replacement frequency will depend on your usage habits of the Robot Vacuum Cleaner.

Recommended cleaning/replacement frequency:

Robot Vacuum Cleaner Part	Maintenance Frequency	Replacement Frequency
Side Brush	Once every 2 weeks	Every 3-6 months
Rolling Brush	Once every week	Every 6-12 months
HEPA filter	Once every week	Every 3-6 months
Swivel Wheel	Once every week	N/M
Anti-drop sensors		
Bumper		
Charging Pins		
Charging Dock		

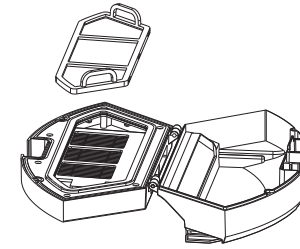
### Clean the Dust Collector and Filters

① Press the dust collector release button to pull the dust collector out.

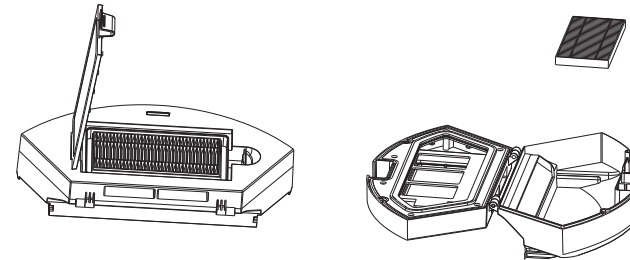


② Open and empty the dust collector.

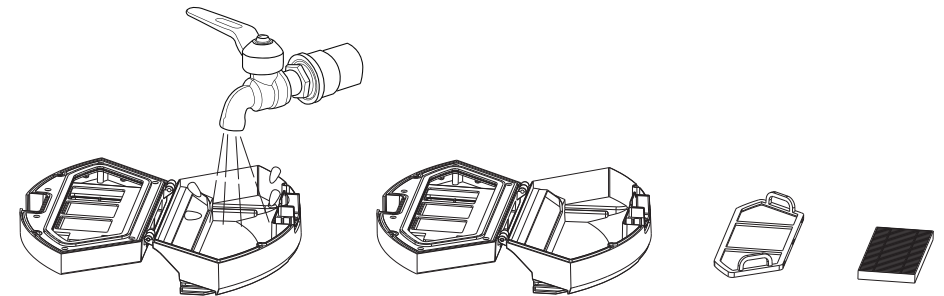
③ Remove the pre-filter by pulling the hooks as shown.



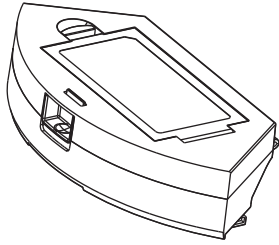
④ Take out the pre-filter and HEPA filter.



⑤ Clean the dust collector and filters with a vacuum cleaner or a cleaning brush.



⑥ Put the filters back together in the dust collector.



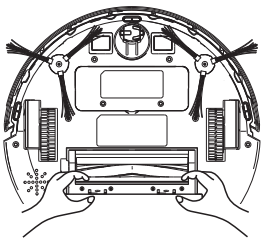
⑦ Push the dust collector back to the main unit.



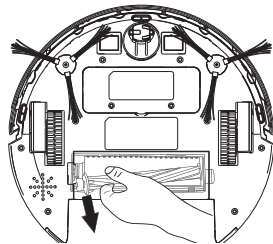
You can wash the dust collector, pre-filter with water. Be sure to air-dry them thoroughly before reassembling. Do not wash the high-performance filter with water, as it may damage the filter and reduce the suction power.

### Clean the Rolling Brush

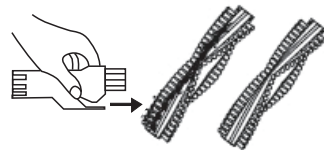
- ① Pull on the release tabs to unlock the brush guard as shown.
- ② Lift the rolling brush to remove.
- ③ Clean the rolling brush with the provided cleaning tool or a vacuum cleaner.
- ④ Reinstall the rolling brush by inserting the fixed protruding end first and then clicking it into place.
- ⑤ Press down to snap the brush guard into place.



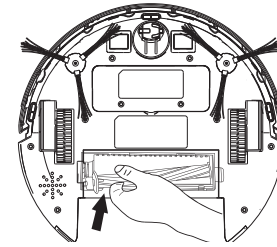
①



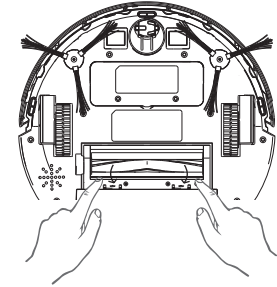
②



③



④

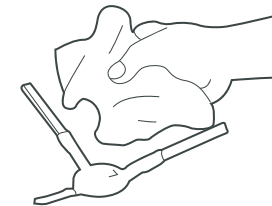
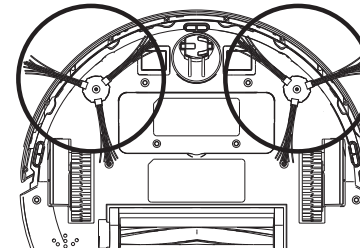


⑤

### Clean the Side Brushes

Foreign substances, such as hair, can easily get tangled in the side brushes, and dirt may adhere to them. Be sure to clean them regularly.

- ① Remove the side brushes.
- ② Carefully unwind and pull off any hair or string that is wrapped between the main unit and the side brushes.
- ③ Use a cloth dampened with warm water to remove dust from the brushes or to gently reshape them.

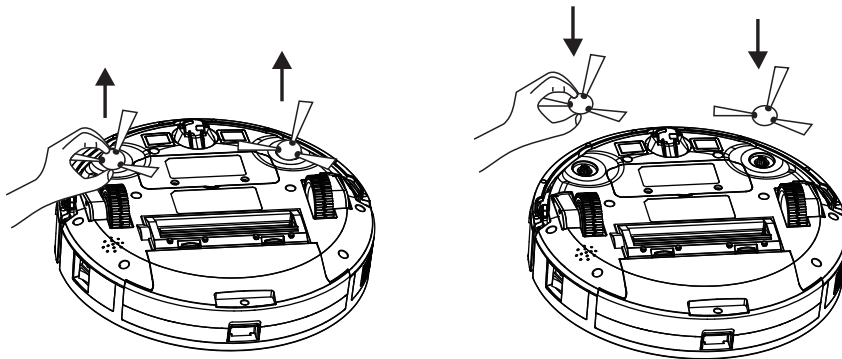


Only use the side brushes when they are completely dry.

## Replace the Side Brushes

The side brushes may become bent or damaged after being used for a period of time. Follow the instructions below to replace them.

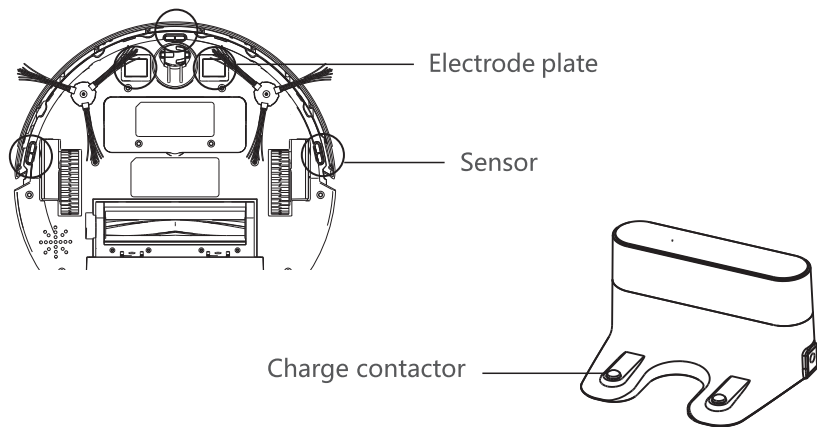
Pull off the old side brushes and snap the new ones into place.



## Clean the Sensors and Charging Pins

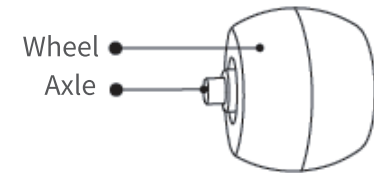
To maintain the best performance, clean the drop sensors and charging pins regularly.

- Dust off the drop sensors and charging pins using a cloth or cleaning brush.

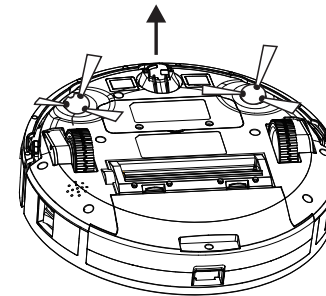


## Clean the Swivel Wheel

Hair or dust particles can easily get tangled in the swivel wheel. Be sure to clean the swivel wheel periodically and as needed.



- ① Pull out the swivel wheel.



- ② Clean any hair or debris wrapped around the wheel or inside the wheel cavity.
- ③ Reinstall the wheel and push in until it clicks into place.



- You can clean the swivel wheel with water.
- Use swivel wheel only when it is completely dry.

## Troubleshooting

Frequently asked questions.

Problems	Solutions
Robot Vacuum Cleaner cannot be activated	<ul style="list-style-type: none"> <li>● Make sure the main power switch is in the ON position.</li> <li>● Make sure the battery is fully charged.</li> <li>● Replace the batteries (2 AAA) in the remote control.</li> <li>● Make sure the remote control is within range (16ft/5m) of the Robot Cleaner.</li> <li>● If you still have trouble, turn off the main power switch and then turn it back on.</li> </ul>
The remote control does not work	<ul style="list-style-type: none"> <li>● Replace the batteries in the remote control.</li> <li>● Make sure the Robot Cleaner is turned on and fully charged.</li> </ul>
Robot Vacuum Cleaner stops working suddenly	<ul style="list-style-type: none"> <li>● Check if the Robot Cleaner is trapped or stuck on an obstacle.</li> <li>● Check if the battery is too low.</li> <li>● If you still have trouble, turn off the main power switch, wait for 2 seconds, and then turn it back on.</li> </ul>
You cannot schedule cleanings	<ul style="list-style-type: none"> <li>● Make sure main power switch on the bottom is turned on.</li> <li>● Make sure the time, and the scheduled time have been set correctly.</li> <li>● Check if the Robot Cleaner power is too low to start cleaning.</li> </ul>
Suction power is weak	<ul style="list-style-type: none"> <li>● Check if any obstructions are blocking the suction inlet.</li> <li>● Empty the dust collector.</li> <li>● Clean the filters with a vacuum cleaner or a cleaning brush.</li> <li>● Check if the filters are wet due to water or other liquid on the floor, air-dry the filters completely before use.</li> </ul>
Robot Vacuum Cleaner cannot be charged	<ul style="list-style-type: none"> <li>● Check if the indicator on the Charging Base lights up. If not, contact the Duronn service team to repair or replace the Charging base.</li> <li>● Dust off the charging contact pins with a dry cloth.</li> <li>● Check if you can hear a beep and voice reminder of charging started. If not, contact the Duronn service team to repair or replace the charging base.</li> </ul>
Robot Vacuum Cleaner cannot return to charging base	<ul style="list-style-type: none"> <li>● Remove objects within 3ft/1m to the left and right side and within 6ft/2m of the front side of the charging base.</li> <li>● When the Robot Cleaner is in the vicinity of the charging base, it will return more quickly. However, if the charging base is located far away, the Robot Cleaner needs more time to return. Please be patient as it works its way back.</li> <li>● Clean the charging contact pins.</li> </ul>
The rolling brush does not rotate	<ul style="list-style-type: none"> <li>● Clean the rolling brush.</li> <li>● Check if the rolling brush and brush guard have been installed properly.</li> </ul>
Robot Vacuum Cleaner's movement or travel path are abnormal	<ul style="list-style-type: none"> <li>● Clean the sensors carefully with a dry cloth.</li> <li>● Restart the Robot Cleaner by turning the power switch off and on.</li> </ul>

## Specifications

1	Rated voltage	DC14.8V
2	Applicable voltage range	DC14---DV17V
3	Lithium battery capacity	2600mAh (4400mAh Optional)
4	Powered by	Rechargeable lithium battery(charging duration:3-4hours)
5	Cleaning hour with one charge	60~100mins
6	Rated power	24W
7	Working temperature range	-10°C ~ 55°C
8	Working humidity range	90RH
9	Standby current	≤ 65mA
10	Working noise level	68dB(A)
11	Power adaptor voltage	18V
12	Machine lifespan	≤ 7200-8000 hours continuous working or 3 years for intermittent use
13	Dimension	330(diameter) x 79mm(height)
14	Net weight	3.0KG
15	Charging mode	Auto recharge /Manual
16	Charging duration	3-4h (4-6h)


Cleaning modes	Auto mode, Edge mode, Spot mode
Cleaning parts(Suction port, roller brush, both are replaceable)	Roller brush and suction port
Dustbin capacity	600ML
Dustbin filtration components	Washable pre-filter, sponge (not washable) and HEPA filter(not washable)
Suction port	Removable, not washable
Size of roller brush	155*40mm
Ground identification	Infrared sensor

Water tank	Electrically controlled
Water flow control(0/1/2/3)	Adjustable third gear
Water tank capacity ( ml)	400ml
Working hour with a full water tank	120/90/60 min
Water tank automatic detection	Support
Mop cloth size (mm)	282*91mm



## Manual de instruções

Obrigado pela sua compra. Leia atentamente este manual de instruções antes da utilização. Guarde-o para referências futuras.



Obrigado por comprar o robô de limpeza inteligente. Acreditamos que o nosso produto lhe fornecerá uma vida mais confortável e inteligente! Se tiver algum problema com os nossos produtos, por favor contacte o nosso serviço de pós-venda.

Design, funcionalidades e especificações estão sujeitas a alterações sem aviso prévio e reservamo-nos o direito de atualizar o produto em qualquer altura.

## Índice de conteúdos

- Instruções de segurança importantes

- Sobre o seu aspirador robô

O que está na caixa

Anatomia do aspirador robô

Indicador LED

- Utilização do seu aspirador robô

Dicas importantes antes da utilização

Preparação

Carregar o seu aspirador robô

Iniciar/Parar a limpeza

Selecionar um modo de limpeza

Definir um horário e programar a limpeza

- Limpeza e Manutenção

Limpar o coletor de pó e os filtros

Limpar a escova rolante

Limpar as escovas laterais

Substituir as escovas laterais

Limpar os sensores e pinos de carregamento

Limpar a roda giratória

-Resolução de problemas

-Especificações

Obrigado por comprar o aspirador robô, leia todas as instruções antes de utilizar este produto e guarde-as corretamente para referência futura.



## Instruções de segurança importantes

Para reduzir o risco de lesões ou danos, leia atentamente estas instruções de segurança e mantenha-as à mão durante a instalação, utilização e manutenção deste dispositivo.



### SÍMBOLOS DE AVISO UTILIZADOS

Este é o símbolo de alerta de segurança. Este símbolo alerta-o para possíveis perigos que podem resultar em danos de propriedade e/ou lesões corporais graves ou morte.

- Este dispositivo pode ser utilizado por crianças a partir dos 8 anos e pessoas com capacidades físicas, sensoriais e mentais reduzidas ou que não têm experiência e conhecimento se tiverem supervisão ou instrução sobre a utilização deste dispositivo de uma forma segura e compreendem os perigos envolvidos.
- As crianças devem ser supervisionadas para ter a certeza de que não brincam com este dispositivo.
- A limpeza e manutenção não deve ser realizada por crianças sem supervisão de um adulto.
- Este dispositivo só deve ser utilizado com a unidade de alimentação elétrica fornecida.
- Para efeitos de recarga da bateria, utilize apenas a fonte de alimentação amovível fornecida com este dispositivo.
- A bateria deve ser removida do dispositivo antes deste ser descartado. Para remover a bateria deste dispositivo, remova primeiro os parafusos na base, depois remova o PCB e desaparafuse a tampa da bateria com uma chave de fendas. Remova a bateria ao desconectar o conector rápido
- A bateria usada deve ser colocada numa saca plástica fechada e descartada com segurança de acordo com os regulamentos ambientais locais.
- O cabo flexível externo do cabo da unidade de alimentação elétrica não pode ser substituído; se o cabo estiver danificado, a fonte de alimentação deve ser descartada.
- Este dispositivo destina-se apenas a utilização em interiores.
- Este dispositivo não é um brinquedo. Não se sente ou se coloque em cima neste dispositivo. Crianças pequenas e animais de estimação devem ser supervisionados enquanto o dispositivo está em funcionamento.
- Guarde e utilize este produto apenas em ambientes com temperatura ambiente.
- Limpe com um pano molhado só com água.
- Não utilize este dispositivo para apanhar qualquer coisa que esteja a arder ou a deitar fumo.

- Não utilize este dispositivo para apanhar derrames de lixívia, tinta, produtos químicos ou qualquer coisa molhada.
- Antes de utilizar este dispositivo, apanhe objetos como roupa ou papeis. Levante os cabos dos estores ou cortinas e retire os cabos elétricos e os objetos frágeis do caminho. Se o dispositivo passar por cima de um cabo de alimentação, um objeto pode ser puxado de uma mesa ou prateleira.
- Se a divisão a ser limpa tem uma varanda, uma barreira física deve ser utilizada para prevenir acesso à varanda e assegurar um funcionamento seguro.
- Não coloque nada em cima do dispositivo.
- Tenha em atenção que este dispositivo se move por si próprio. Tenha cuidado ao caminhar na área onde o dispositivo está a limpar para evitar pisá-lo.
- Não utilize este dispositivo em áreas com tomadas elétricas expostas no chão.
- Não exponha os eletrónicos neste dispositivo, a sua bateria ou base de carregamento integrado. Não existem peças que possam ser reparadas pelo utilizador no interior.
- Não utilize este dispositivo num pavimento inacabado, não selado, encerado ou rugoso. Pode provocar danos no chão e neste aparelho. Utilize apenas em pisos duros ou alcatifas de pelo baixo.
- Este dispositivo foi concebido para ser utilizado em chão sem os arranhar. No entanto, recomendamos que teste o dispositivo numa pequena área da divisão a ser limpa para ter a certeza de que não sejam feitos arranhões antes de toda a sala.

### Aviso

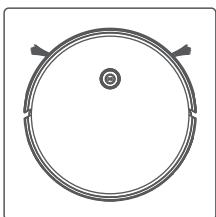


Este símbolo no dispositivo ou na sua embalagem indica: não elimine os aparelhos elétricos como resíduos urbanos não triados; utilize instalações de recolha seletiva. Contacte a sua autoridade local para obter informações sobre os sistemas de recolha disponíveis. Se os aparelhos elétricos forem eliminados em aterros ou lixeiras, podem ocorrer fugas de substâncias perigosas para as águas subterrâneas e entrar na cadeia alimentar, prejudicando a sua saúde e bem-estar. Ao substituir aparelhos antigos por novos, o retalhista é legalmente obrigado a recolher os seus aparelhos antigos para eliminação, pelo menos gratuitamente.

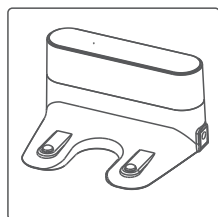


## Sobre o seu aspirador robô

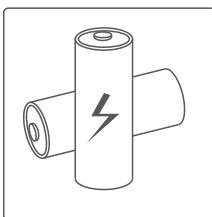
### O que está na caixa



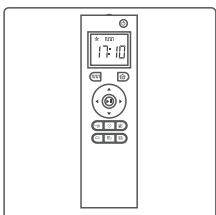
Aspirador robô



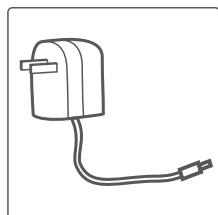
Base de carregamento



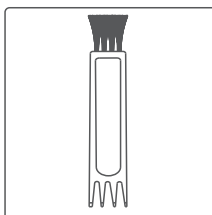
Pilhas AAA x2 (opcional)



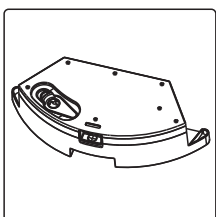
Controlo remoto



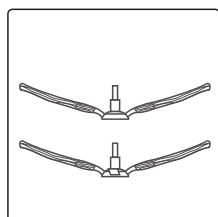
Adaptador de alimentação



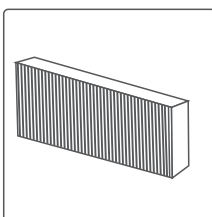
Ferramenta de limpeza



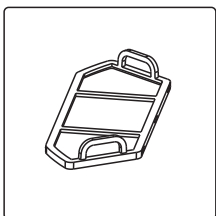
Depósito de água (opcional)



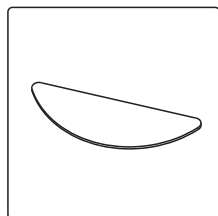
Escovas laterais



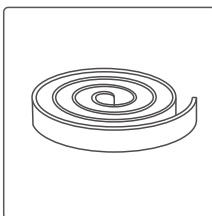
Filtro HEPA adicional



Pré filtro



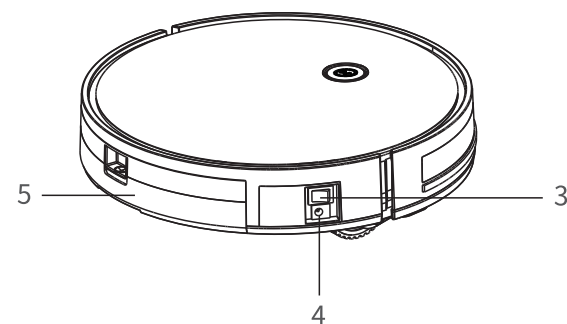
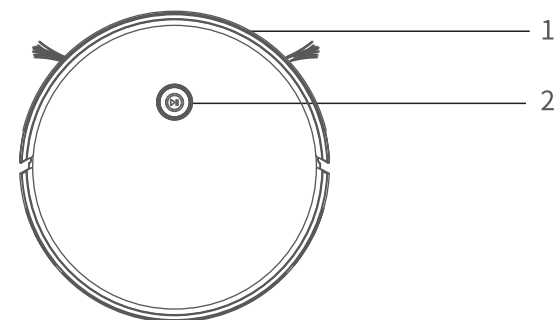
Pano da mopa (opcional)



Fita magnética (opcional)

3

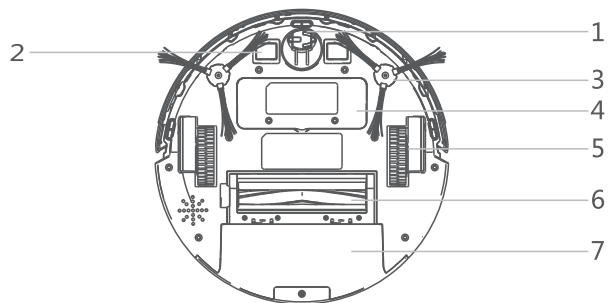
## Anatomia do aspirador robô



### Parte superior e lateral

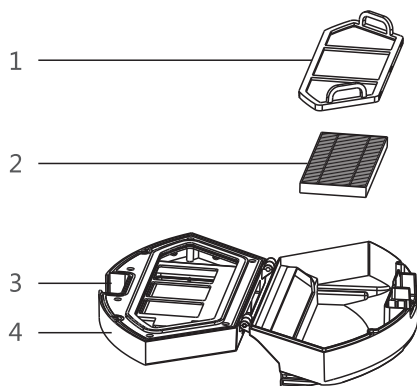
1. Para-choques frontal
2. Botão de controlo
3. Botão de ligar/botão de desligar
4. Entrada da fonte de alimentação DC
5. Coletor de pó

4



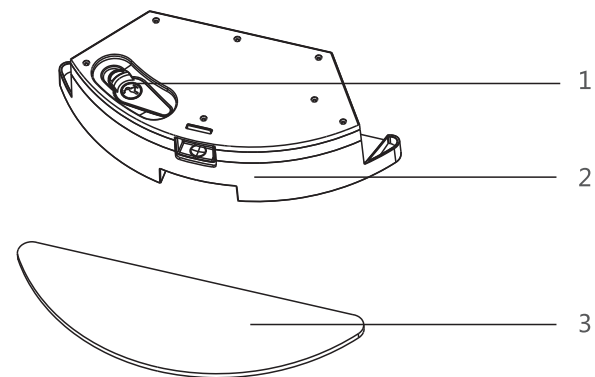
**Parte inferior**

1. Roda universal 2. Eléctrodo de carregamento 3. Escova lateral  
4. Tampa da bateria 5. Roda 6. Escova rolante 7. Coletor de pó



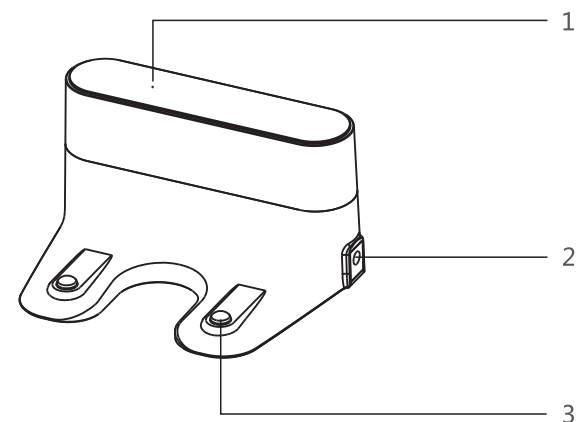
**Coletor de pó**

1. Pré filtro 2. Filtro HEPA 3. Depósito de pó 4. Tampa do depósito



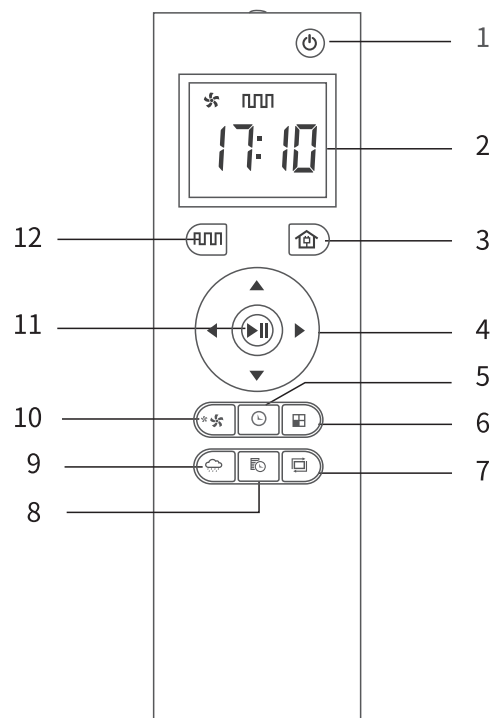
**Depósito de água (opcional)**

1. Tampa 2. Depósito de água 3. Pano da mopa



**Base de carregamento**

1. Indicador luminoso 2. Entrada de alimentação DC  
3. Contactador de carregamento



### Controlo remoto

1. Botão ligar/desligar    2. Visor LCD    3. Carregamento automático  
 4. Tecla de direção    5. Definição do relógio  
 6. Modo de limpeza de um local    7. Modo de limpeza de cantos  
 8. Modo de limpeza programada    9. Modo de mopa  
 10. Tecla de regulação da sucção    11. Tecla de confirmação  
 12. Modo automático



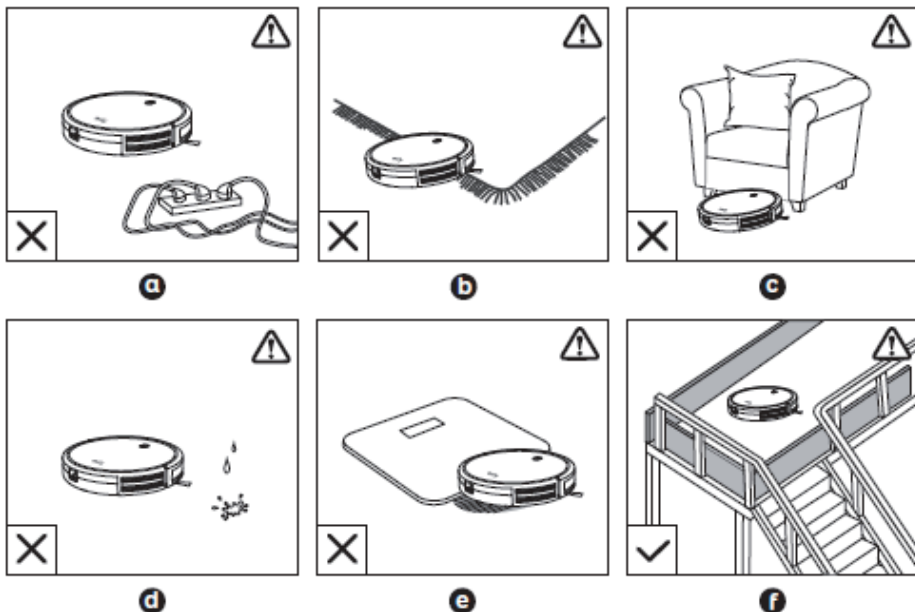
Coloque as duas pilhas AAA antes de utilizar o controlo remoto pela primeira vez. Certifique-se de que as extremidades positiva e negativa estão viradas para a direção de polaridade correta, conforme indicado no compartimento da pilha.

### Indicação LED

	Luz de estado	Estado
Estado ligado/desligado	Luz verde constante no robô de limpeza	<ul style="list-style-type: none"> <li>Quando o interruptor de alimentação do aspirador robô está a ser ligado, aparece uma luz verde.</li> <li> no aspirador robô ou  no controlo remoto, o aspirador robô começa a trabalhar, aparece uma luz verde.</li> </ul>
Estado de erro	Luz vermelha a piscar no aspirador robô	<ul style="list-style-type: none"> <li>Verifique se a escova rolante está presa.</li> <li>Verifique se a roda esquerda ou a roda direita estão presas.</li> <li>Verifique se as rodas laterais estão presas.</li> <li>Verifique se a roda giratória está presa.</li> <li>Verifique se o dispositivo foi levantado ou não consegue voltar de escadas.</li> <li>Verifique se a bateria está sobreaquecida.</li> <li>Verifique se o para-choques está preso.</li> </ul>
Estado de espera	A luz da luz verde apaga-se no aspirador robô	<ul style="list-style-type: none"> <li>Se o aspirador não responder a instruções após 30 minutos da ligação do dispositivo, o dispositivo entra no modo de espera e a luz verde desliga-se.</li> </ul>
Estado de carregamento	A luz verde e a luz vermelha piscam alternadamente no aspirador robô	<ul style="list-style-type: none"> <li>Quando a bateria está fraca, o aspirador robô irá procurar a base de carregamento, a luz verde/ luz vermelha piscam alternadamente. (Assim que encontra a base de carregamento e começa o carregamento, a luz volta a ser verde; quando a bateria está totalmente carregada, a luz desliga-se automaticamente)</li> </ul>
Estado de correspondência de rede	A luz verde pisca 3 vezes a cada segundo	<ul style="list-style-type: none"> <li>Quando o aspirador robô está a ser conectado à rede através do wi-fi.</li> </ul>
	A luz verde pisca a cada 1.5 segundos	<ul style="list-style-type: none"> <li>Quando o aspirador robô está a ser conectado a um ponto de acesso wi-fi partilhado ou wifi modular.</li> </ul>

## Utilização do seu aspirador robô

### Dicas importantes antes da utilização



A) Remova cabos de alimentação e objetos pequenos do chão que possam enredar o aspirador robô.

B) Dobre as extremidades de tapetes com borlas para evitar que o aspirador se enrosque. Evite limpar tapetes de pelo alto de cor muito escura ou tapetes com uma espessura superior a 26 mm, uma vez que podem provocar o mau funcionamento do aparelho de limpeza.

C) Mantenha o aspirador robô afastado de espaços inferiores a 3,15 pol./80 mm para evitar que fique preso. Se necessário, coloque uma barreira física para bloquear as áreas problemáticas.

D) Mantenha o aspirador robô afastado de áreas molhadas.

E) O aspirador pode trepar para cima de objetos com menos de 0,63 pol./16 mm de altura. Retire esses objetos, se possível.

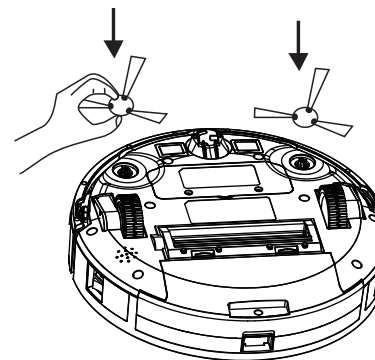
F) Os sensores de anti queda evitam que o aspirador robô tenha quedas acentuadas. Podem ter menos eficácia se estiverem sujos ou forem utilizados em chão refletivo/ muito escuro. Recomenda-se que coloque barreiras físicas para bloquear áreas onde o robô pode cair.



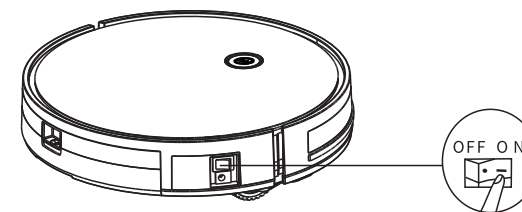
Coloque barreiras físicas em frente de lareiras e áreas que possam causar danos ao aspirador robô.

### Preparação

① Instale as escovas laterais antes da utilização.

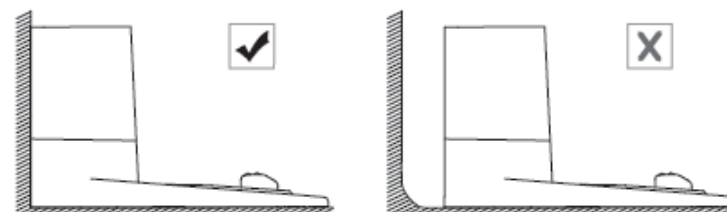


② Ligue o interruptor de alimentação principal na parte inferior do robô.

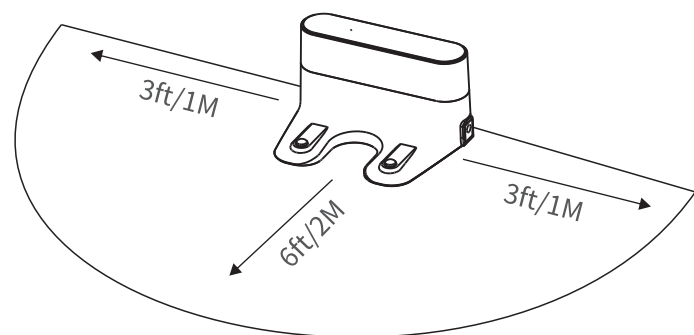


Remova o autocolante ao lado do interruptor e os blocos de espuma ao lado do para-choques antes da utilização.

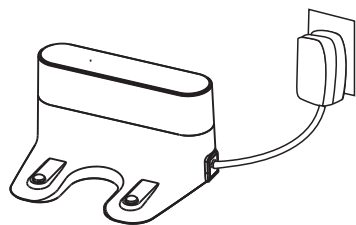
③ Coloque a base de carregamento numa superfície dura, nivelada e encostada à parede.



- ④ Remova objetos num raio de 3 pés/1m do lado esquerdo e direito e num raio de 6 pés/2m da frente da base de carregamento.



- ⑤ Ligue o conector redondo do adaptador à tomada de alimentação na base de carregamento e a outra extremidade a uma tomada de parede.




-Instale a base de carregamento num local onde o aspirador robô tem fácil acesso. Recomenda-se que coloque a base de carregamento encostada a uma parede e numa superfície dura e não em tapetes ou carpetes.  
-Mantenha a base de carregamento sempre ligada, pois o robô não conseguirá regressar automaticamente.

## Carregar o seu aspirador robô

- O aspirador robô tem uma bateria recarregável pré-instalada que deve ser cuidadosamente carregada antes da sua utilização.
- O aspirador robô regressa à base de carregamento no final de cada ciclo de limpeza ou quando a bateria está fraca.

Método 1: Fixe o aspirador robô à base de carregamento, alinhando os pinos de carregamento com os pinos de carregamento na base (Figura 1).

Método 2: Pressione  no controlo remoto para que o aspirador robô regressa à base de carregamento (Figura 2).

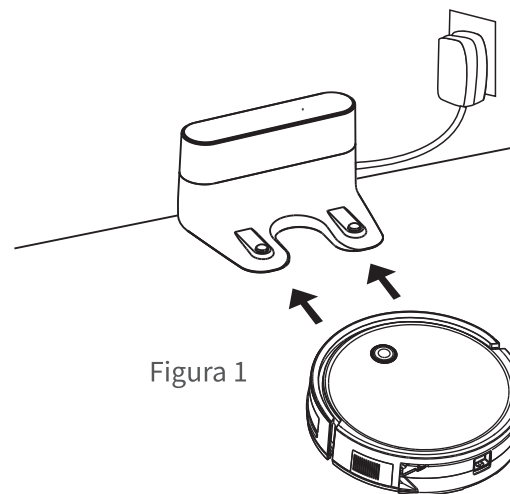


Figura 1

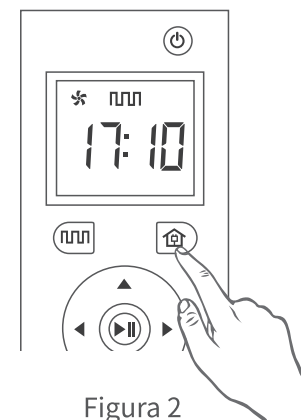


Figura 2



Ligue o interruptor de alimentação principal se o aspirador robô não for utilizado durante um longo período de tempo. Para preservar a vida útil da bateria, recarregue-a pelo menos uma vez a cada 6 meses.

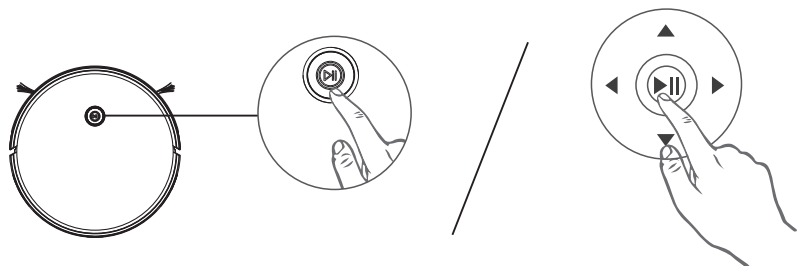
## Iniciar/parar a limpeza



Certifique-se de que o interruptor de alimentação principal na parte inferior do aspirador é ligado antes da utilização.

1. Pressione  no aspirador robô ou  no controlo remoto para iniciar a limpeza.




2. Pressione  no aspirador robô ou  no controlo remoto para parar a limpeza.

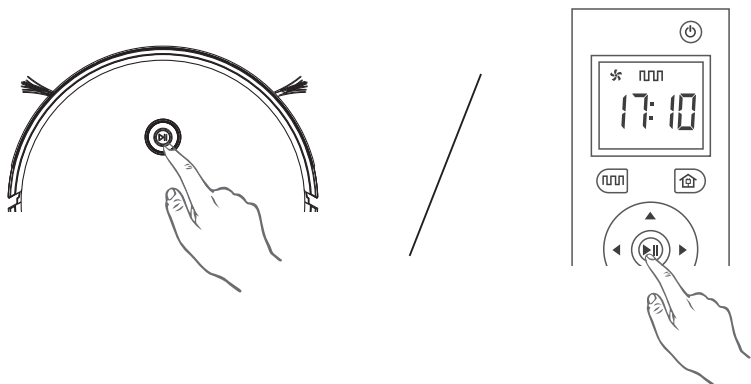


## Selecionar um modo de limpeza

### 1. Limpeza automática


O aspirador otimiza o seu percurso de limpeza selecionando automaticamente diferentes modos de limpeza até a limpeza estar concluída. Este é o modo de limpeza mais utilizado.


Pressione  no aspirador robô ou  ou  no controlo remoto para iniciar limpeza no modo automático.





-O aspirador robô vai regressar para a base de carregamento automaticamente quando a bateria estiver fraca ou quando terminar a limpeza.  
-Por padrão, o aspirador robô começa em modo de limpeza automática quando é ligado.

## 1200pa e 1800pa Potência de sucção em duas fases

Quando  é premido no modo de limpeza automática, o aspirador robô alterna automaticamente a potência de sucção entre 1200pa e 1800pa. Para tapetes mais espessos e com sujidade difícil de limpar, recomenda-se a potência de sucção de 1800pa, o que reduzirá o tempo total de limpeza, mas aumentará o nível de ruído. Se o ruído de aspiração causado por esta função o incomodar, pode mudar para 1200pa para reduzir o ruído. (Esta função funciona no modo automático, no modo de locais e no modo de cantos).

No modo de limpeza automática, de locais ou de cantos, pressione  no controlo remoto repetidamente para ajustar o nível de potência de sucção.

O ícone correspondente é apresentado no controlo remoto.

Ícone	Nível de potência de sucção
 Padrão	Potência padrão de 1200pa
 Melhorada	Potência melhorada de 1800pa




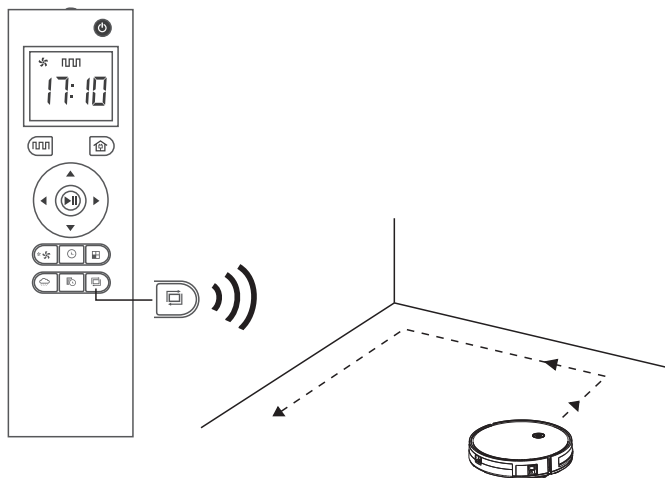
Quando o aspirador robô começar a limpar no modo automático ou de locais ou de cantos da próxima vez, irá limpar de acordo com o nível de potência de sucção selecionado previamente.

Quando o aspirador robô é desligado e iniciado novamente, irá limpar com um nível de potência de sucção padrão de 1200pa.

## 2. Limpeza de cantos


O aspirador robô reduz a sua velocidade assim que deteta uma parede e depois segue a parede para se certificar de que o canto está totalmente limpo. No modo de cantos, o aspirador robô irá limpar durante 20 minutos e regressará à base de carregamento.

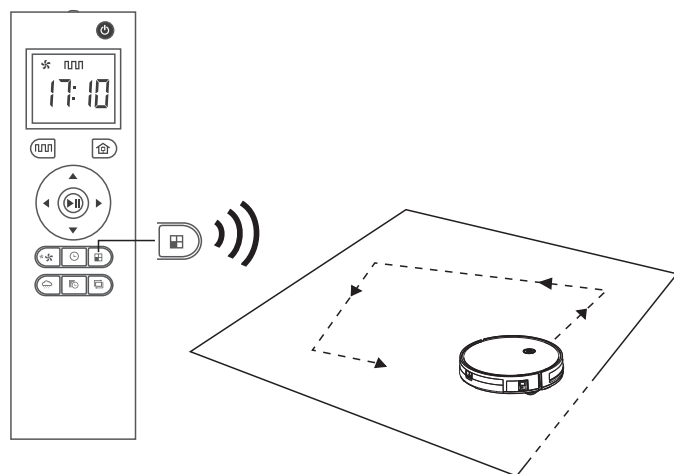
Pressione  no controlo remoto para iniciar a limpeza em modo de cantos.



## 3. Limpeza de locais

Prima esta tecla para limpar a área fixa, primeiro em espiral para fora. Quando o raio do círculo exterior estiver próximo de 0,5 metros, a máquina limpará a área fixa em espiral para dentro do ponto de partida.

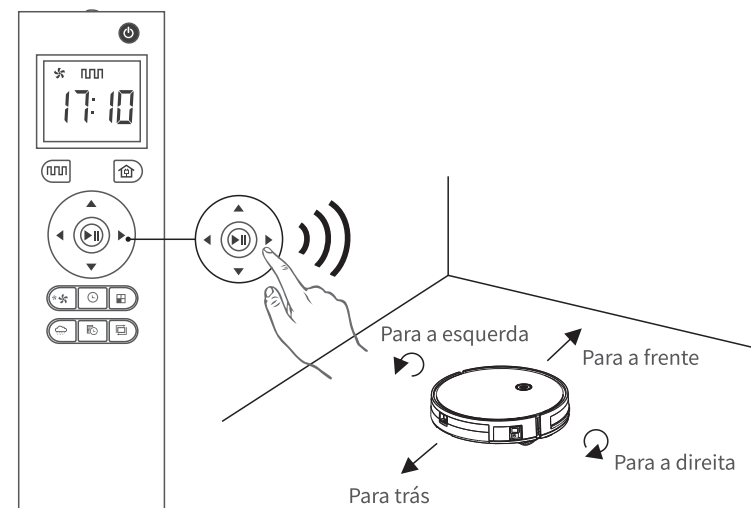
Prima  no controlo remoto para iniciar a limpeza de locais.



15

## 4. Limpeza manual

Pode direcionar o aspirador robô para limpar uma área em específico ao usar os botões direcionais no controlo remoto.



## 5. Modo de mopa





Prima  para alternar entre os níveis de água baixo, médio e alto do depósito de água.

## Defina um horário e limpeza programada

Defina um horário

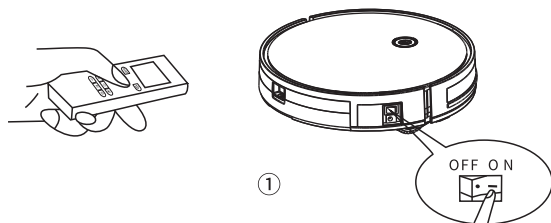


Certifique-se de que define o horário corretamente de acordo com a sua hora local antes de definir uma limpeza programada.

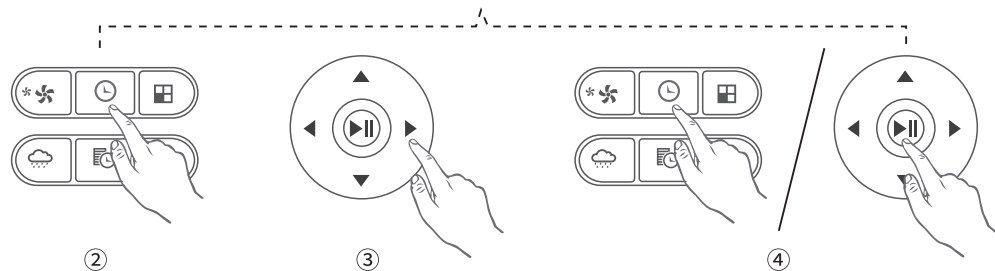
- 1 Certifique-se de que o interruptor principal na parte inferior do robô está ligado.
- 2 Prima  no controlo remoto, a hora irá piscar no visor.
- 3 Prima  para definir a “hora” e “minuto” (a hora é definida com 24 horas)
- 4 Prima  ou  para guardar a predefinição.

16





①



②

③

④



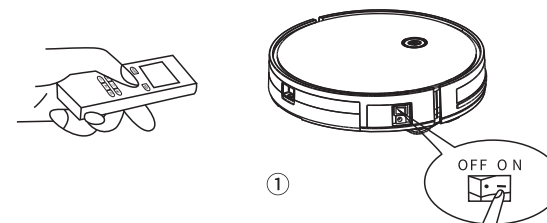
Para ter a certeza de que define o horário com sucesso, certifique-se de que o aspirador robô está ligado.

### Defina uma limpeza programada

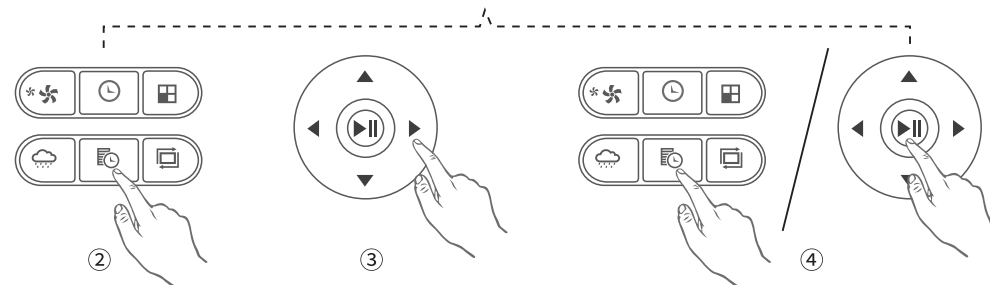
Pode programar o aspirador robô para iniciar uma limpeza num horário em específico. Para cancelar uma limpeza previamente programada, prima por 3 segundos até que o lembrete de voz confirme o processo de cancelamento foi concluído e o desaparece.

Nota: Antes de programar uma limpeza, certifique-se de que o horário foi definido corretamente na sua hora local; consulte a secção anterior “Definir horário” para referência.

- ① Certifique-se de que o interruptor principal na parte inferior do aspirador robô está ligado.
- ② Prima no controlo remoto, a hora irá piscar no visor.
- ③ Prima para definir a “hora” e “minuto” (a hora é definida com 24 horas)
- ④ Prima ou para guardar a predefinição. irá aparecer no ecrã e o lembrete de voz irá confirmar que a limpeza foi programada com sucesso.



①



②

③

④



Para se assegurar que o horário é definido com sucesso, certifique-se que o aspirador robô está ligado. Irá ouvir um lembrete de voz a confirmar que a limpeza foi programada.

## Limpeza e Manutenção

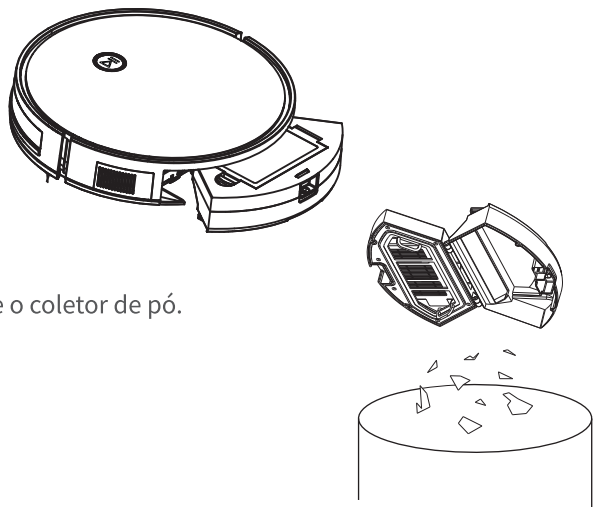
Para um bom desempenho, siga as instruções abaixo para uma limpeza e manutenção regular do aspirador robô. A frequência de limpeza/substituição irá depender dos seus hábitos de uso do aspirador robô.

Frequência de limpeza/substituição recomendada:

Peça do aspirador robô	Frequência de manutenção	Frequência de substituição
Escova lateral	Uma vez a cada duas semanas	A cada 3-6 meses
Escova rolante	Uma vez por semana	A cada 6-12 meses
Filtro HEPA	Uma vez por semana	A cada 3-6 meses
Roda giratória	Uma vez por semana	N/M
Sensores anti queda		
Para-choques		
Pinos de carregamento		
Base de carregamento		

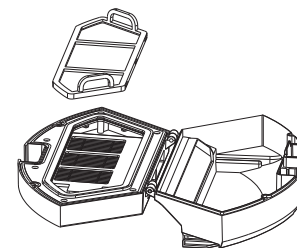
### Limpar o coletor de pó e os filtros

① Prima o botão de abertura do coletor de pó para o puxar para fora.

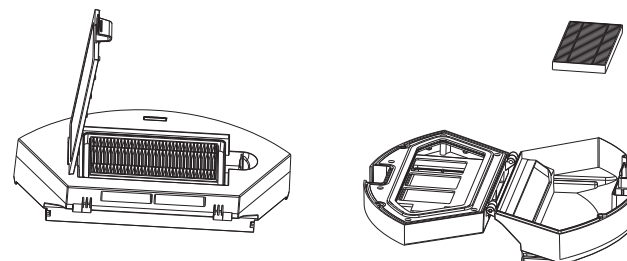


② Abra e despeje o coletor de pó.

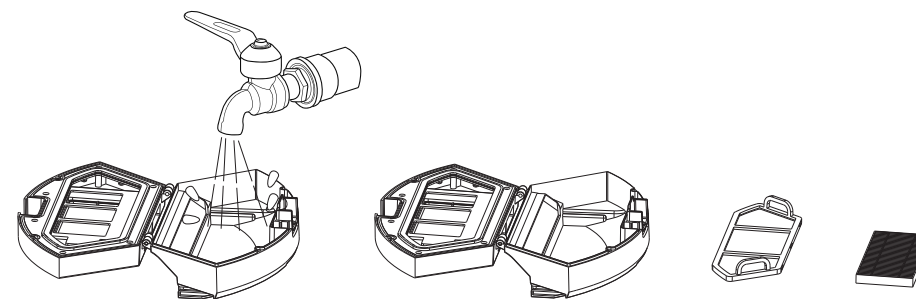
③ Remova o pré-filtro puxando os ganchos como indicado.



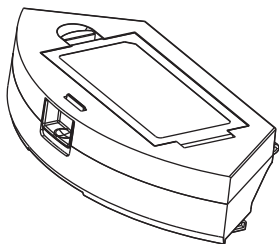
④ Retire o pré-filtro e o filtro HEPA.



⑤ Limpe o coletor de pó e os filtros com um aspirador ou escova de limpeza.



⑥ Volte a montar os filtros no coletor de pó.



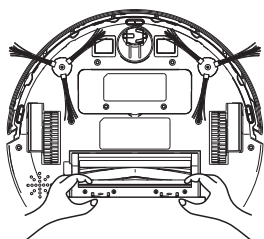
⑦ Coloque o coletor de pó no aparelho.



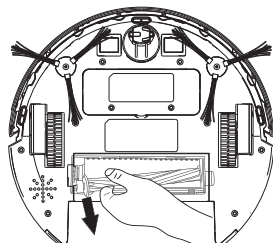
Pode limpar o coletor de pó e o pré-filtro com água. Certifique-se de que os deixa secar ao ar livre antes de os montar. Não limpe o filtro de alto rendimento com água, pois pode danificar o filtro e reduzir a potência de sucção.

### Limpar a escova rolante

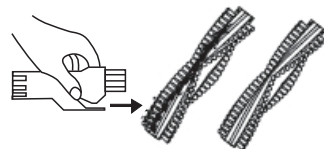
- ① Puxe as patilhas de libertação para desbloquear a proteção da escova, conforme ilustrado.
- ② Levante a escova rolante para retirar.
- ③ Limpe a escova rolante com a ferramenta de limpeza fornecida ou um aspirador.
- ④ Reinstale a escova rolante, introduzindo primeiro a extremidade saliente fixa e, em seguida, encaixando-a no lugar.
- ⑤ Pressione para baixo para encaixar a escova no lugar.



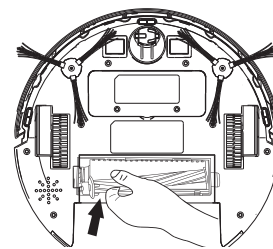
①



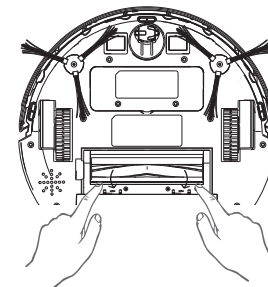
②



③



④

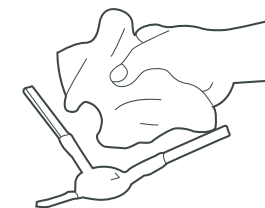
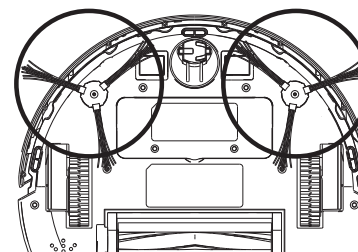


⑤

### Limpar as escovas laterais

Substâncias externas como cabelo podem facilmente ficar enredados nas escovas laterais e a sujeira pode aderir a elas. Certifique-se de que as limpa regularmente.

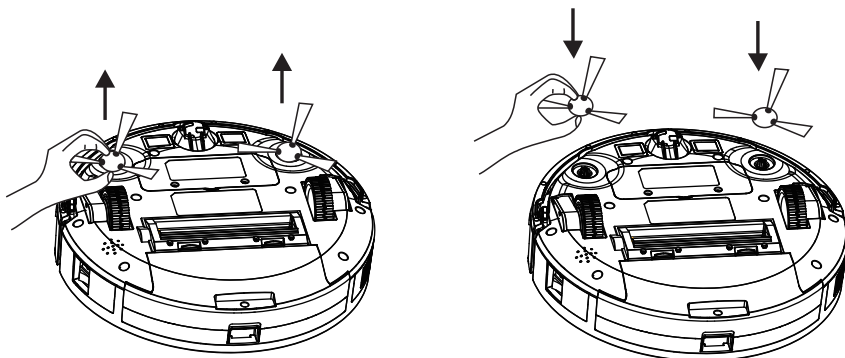
- ① Remova as escovas laterais
- ② Desenrolar e puxar cuidadosamente qualquer cabelo ou fio que esteja enrolado entre a unidade principal e as escovas laterais.
- ③ Utilize um pano molhado com água quente para remover o pó das escovas e remodele-as cuidadosamente.



Só utilize as escovas laterais quando estiverem totalmente secas.

## Substituir as escovas laterais

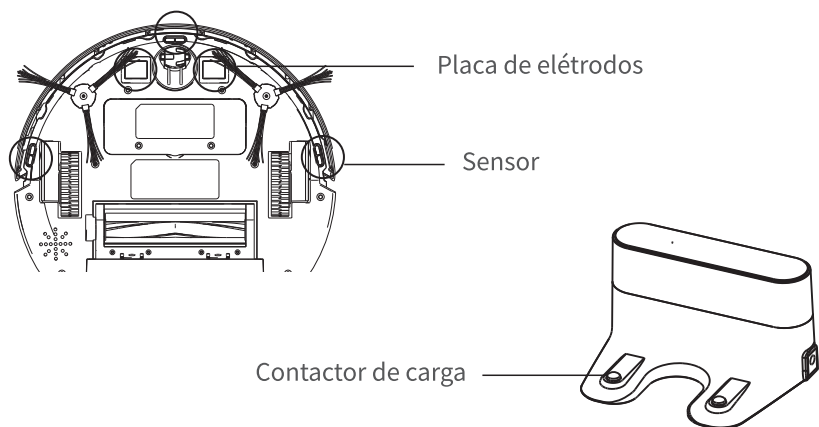
As escovas laterais podem ficar sobradas ou danificadas depois de ser usadas por um longo período de tempo. Siga as instruções abaixo para as substituir. Retire as escovas laterais antigas e encaixe as novas no lugar.



## Limpar os sensores e pinos de carregamento

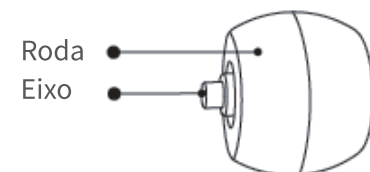
Para manter o melhor desempenho, limpe os sensores anti queda e os pinos de carregamento regularmente.

- Limpe o pó dos sensores anti queda e dos pinos de carregamento com um pano ou uma escova de limpeza.

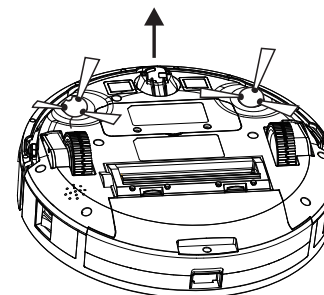


## Limpar a roda giratória

O cabelo ou as partículas de pó podem facilmente ficar presos na roda giratória.



- ① Retire a roda giratória.



- ② Limpe os cabelos e detritos enrolados à volta da roda ou enredados na cavidade da roda.
- ③ Reinstale a roda e empurre até encaixar no lugar.



- Pode limpar a roda giratória com água.
- Só utilize a roda giratória quando esta estiver totalmente seca.

## Resolução de problemas

### Questões frequentes.

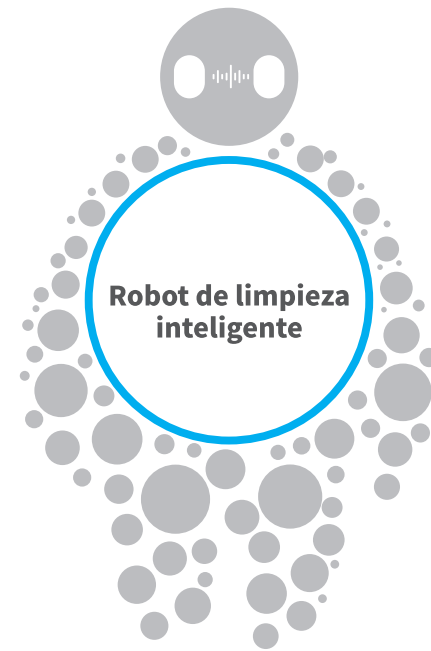
Problemas	Soluções
O aspirador robô não pode ser ativado	<ul style="list-style-type: none"> <li>• Certifique-se de que o interruptor principal está na posição ON.</li> <li>• Certifique-se de que a bateria está totalmente carregada.</li> <li>• Substitua as pilhas (2 AAA) do controlo remoto.</li> <li>• Certifique-se de que o controlo remoto está dentro do alcance (16pés/5m) do aspirador robô.</li> <li>• Se continuar a ter problemas, desligue o interruptor principal e depois volte a ligá-lo.</li> </ul>
O controlo remoto não funciona	<ul style="list-style-type: none"> <li>• Substitua as pilhas do controlo remoto.</li> <li>• Certifique-se de que o aspirador robô está ligado e totalmente carregado.</li> </ul>
O aspirador robô para de funcionar repentinamente	<ul style="list-style-type: none"> <li>• Verifique se o aspirador robô está bloqueado ou preso num obstáculo.</li> <li>• Verifique se a bateria está demasiado baixa.</li> <li>• Se continuar a ter problemas, desligue o interruptor principal, espere dois segundos e depois volte a ligá-lo.</li> </ul>
Não pode programar limpezas	<ul style="list-style-type: none"> <li>• Certifique-se de que o interruptor principal na parte inferior está ligado.</li> <li>• Certifique-se de que o horário e o horário definido foram definidos corretamente.</li> <li>• Verifique se a bateria do aspirador robô está demasiado baixa para começar a limpeza.</li> </ul>
A potência de sucção é fraca	<ul style="list-style-type: none"> <li>• Verifique se existem obstruções a bloquear a entrada de sucção.</li> <li>• Despeje o coletor de pó.</li> <li>• Limpe os filtros com um aspirador ou escova de limpeza.</li> <li>• Verifique se os filtros estão molhados devido a água ou outro líquido no chão, seque totalmente os filtros antes de os utilizar.</li> </ul>
O aspirador robô não pode ser carregado	<ul style="list-style-type: none"> <li>• Verifique se o indicador na base de carregamento acende. Caso não acender, contacte a equipa de serviço Duronn para reparar ou substituir a base de carregamento.</li> <li>• Limpe o pó dos pinos de carregamento com um pano seco.</li> <li>• Verifique se consegue ouvir um bip e um lembrete de voz do início do carregamento. Caso contrário, contacte a equipa de serviço Duronn para reparar ou substituir a base de carregamento.</li> </ul>
O aspirador robô não pode regressar à base de carregamento	<ul style="list-style-type: none"> <li>• Remova objetos num raio de 3 pés/1m para os lados esquerdo e direito e num raio de 6 pés/2m da parte frontal da base de carregamento.</li> <li>• Quando o aspirador robô está nas proximidades da base de carregamento, regressa mais rapidamente. No entanto, se a base de carregamento estiver muito longe, o aspirador robô precisa de mais tempo para regressar. Seja paciente enquanto ele regressa.</li> <li>• Limpe os pinos de carregamento.</li> </ul>
A escova rolante não roda	<ul style="list-style-type: none"> <li>• Limpe a escova rolante.</li> <li>• Verifique se a escova rolante e a proteção da escova rolante foram colocadas corretamente.</li> </ul>
O movimento ou percurso do aspirador robô é anormal	<ul style="list-style-type: none"> <li>• Limpe os sensores cuidadosamente com um pano seco.</li> <li>• Reinicie o aspirador robô ao ligar e desligar o interruptor.</li> </ul>

## Especificações

1	Tensão nominal	DC14.8V
2	Intervalo de tensão aplicável	DC14---DV17V
3	Capacidade da bateria de lítio	2600mAh (4400mAh opcional)
4	Alimentado por	Bateria recarregável de lítio (duração de carregamento: 3-4 horas)
5	Duração de limpeza com uma carga	60~100mins
6	Potência nominal	24W
7	Intervalo de temperatura de funcionamento	-10°C ~ 55°C
8	Intervalo de humidade de funcionamento	90RH
9	Corrente de espera	≤ 65mA
10	Nível de ruído de funcionamento	68dB(A)
11	Voltagem do adaptador de alimentação	18V
12	Vida útil da máquina	≤ 7200-000 horas de funcionamento contínuo ou 3 anos para uso intermitente
13	Dimensões	330(diâmetro)x79mm(altura)
14	Peso líquido	3.0KG
15	Modo de carregamento	Carregamento automático / Manual
16	Duração de carregamento	3-4h (4-6h)


Modos de limpeza	Modo automático, modo de cantos, modo de locais
Peças de limpeza (orifício de sucção, escova rolante, ambos são substituíveis)	Escova rolante e orifício de sucção
Capacidade do depósito de pó	600ML
Componentes de filtragem do depósito de pó	Pré-filtro lavável, esponja (não lavável) e um filtro HEPA (não lavável)
Orifício de sucção	Removível, não lavável
Tamanho da escova rolante	155*40mm
Identificação do pavimento	Sensores infravermelhos

Depósito de água	Controlado por eletricidade
Controlo do fluxo de água (0/1/2/3)	Engrenagem de três velocidades ajustável
Capacidade do depósito de água (ml)	400ml
Duração de limpeza com um depósito de água cheio	120/90/60min
Deteção automática do depósito de água	Apoio
Tamanho do pano de limpeza	282*91mm



## Manual de instrucciones

Gracias por su compra. Lea atentamente este manual de instrucciones antes de utilizar el aparato. Consérvelas para futuras consultas.



**Gracias por adquirir el robot de limpieza inteligente. Creemos que nuestro producto le proporcionará una vida más cómoda e inteligente. Si tiene algún problema con nuestros productos, póngase en contacto con nuestro servicio posventa.**

El diseño, las características y las especificaciones están sujetos a cambios sin previo aviso y nos reservamos el derecho de actualizar el producto en cualquier momento.

## Índice de contenidos

- Instrucciones de seguridad importantes

- Acerca de su robot aspirador

Contenido de la caja

Anatomía del robot aspirador

Indicador LED

- Utilización de su robot aspirador

Consejos importantes antes del uso

Preparación

Cargar su robot aspirador

Inicio/parada de la limpieza

Seleccionar un modo de limpieza

Establecer un horario y programar la limpieza

- Limpieza y Mantenimiento

Limpiar el colector de polvo y los filtros

Limpiar la escobilla de rodillo

Limpiar las escobillas laterales

Sustituir las escobillas laterales

Limpiar los sensores y las clavijas de carga

Limpiar la rueda giratoria

-Solución de problemas

-Especificaciones

Gracias por comprar el robot aspirador, lea todas las instrucciones antes de usar este producto y guárdelas correctamente para futuras consultas.



## Instrucciones de seguridad importantes

Para reducir el riesgo de lesiones o daños, lea atentamente estas instrucciones de seguridad y téngalas a mano cuando instale, utilice y realice el mantenimiento de este aparato.



### SÍMBOLOS DE ADVERTENCIA UTILIZADOS

Este es el símbolo de alerta de seguridad. Este símbolo le avisa de posibles peligros que pueden provocar daños materiales y/o lesiones corporales graves o incluso la muerte.

- Este dispositivo puede ser utilizado por niños a partir de 8 años y por personas con capacidades físicas, sensoriales y mentales reducidas o que carezcan de experiencia y conocimientos si cuentan con supervisión o instrucciones sobre cómo utilizar este dispositivo de forma segura y comprenden los peligros que conlleva.
- Los niños deben ser supervisados para asegurarse de que no juegan con este dispositivo
- La limpieza y el mantenimiento no deben ser realizados por niños sin la supervisión de un adulto.
- Este aparato sólo debe utilizarse con la fuente de alimentación suministrada.
- Para recargar la batería, utilice únicamente la fuente de alimentación extraíble suministrada con este dispositivo.
- La batería debe extraerse del aparato antes de desecharlo. Para retirar la batería de este dispositivo, primero retire los tornillos de la base, luego retire la placa de circuito impreso y desatornille la tapa de la batería con un destornillador. Retire la batería desconectando el conector rápido.
- La batería usada debe colocarse en una bolsa de plástico cerrada y desecharse de forma segura de acuerdo con la normativa medioambiental local.
- El cable flexible externo del cable de la fuente de alimentación no puede sustituirse; si el cable se daña, la fuente de alimentación debe desecharse.
- Este aparato está destinado únicamente para uso en interiores.
- Este aparato no es un juguete. No se siente ni se ponga de pie sobre este aparato. Los niños pequeños y las mascotas deben ser supervisados mientras el dispositivo está en funcionamiento.
- Almacene y utilice este producto sólo a temperatura ambiente.
- Límpielo con un paño humedecido sólo con agua.
- No utilice este aparato para recoger nada que esté ardiendo o humeando.

- No utilice este dispositivo para recoger derrames de lejía, pintura, productos químicos ni nada húmedo.
- Antes de utilizar este aparato, recoja objetos como ropa o papeles. Levante los cordones de persianas o cortinas y aparte los cables eléctricos y objetos frágiles. Si el aparato pasa por encima de un cable eléctrico, podría arrancarse un objeto de una mesa o estantería.
- Si la habitación que se va a limpiar tiene balcón, debe utilizarse una barrera física para impedir el acceso al balcón y garantizar un funcionamiento seguro.
- No coloque nada encima del aparato.
- Tenga en cuenta que este aparato se mueve solo. Tenga cuidado al caminar por la zona donde está el dispositivo de limpieza para evitar pisarlo.
- No utilice este dispositivo en zonas con tomas de corriente expuestas en el suelo.
- No exponga los componentes electrónicos de este dispositivo, su batería o su base de carga integrada. No hay piezas reparables por el usuario en el interior.
- No utilice este aparato sobre un suelo sin terminar, sin sellar, encerado o rugoso. Puede dañar el suelo y el aparato. Utilícelo sólo sobre suelos duros o alfombras de pelo bajo.
- Este aparato está diseñado para utilizarse en suelos sin rayarlos. No obstante, le recomendamos que pruebe el aparato en una pequeña zona de la habitación que vaya a limpiar para asegurarse de que no se producen arañazos antes de limpiar toda la habitación.

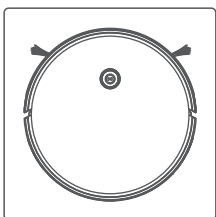
### Advertencia



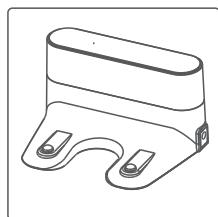
Este símbolo en el aparato o en su embalaje indica: no deseche los aparatos eléctricos como residuos urbanos sin clasificar; utilice instalaciones de recogida selectiva. Póngase en contacto con las autoridades locales para obtener información sobre los sistemas de recogida disponibles. Si los aparatos eléctricos se eliminan en vertederos o basureros, las sustancias peligrosas pueden filtrarse a las aguas subterráneas y entrar en la cadena alimentaria, perjudicando su salud y bienestar. Cuando se sustituyen aparatos viejos por otros nuevos, el vendedor tiene la obligación legal de recogerlos para su eliminación, al menos de forma gratuita.

## Acerca de su robot aspirador

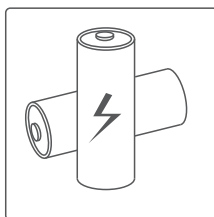
### Contenido de la caja



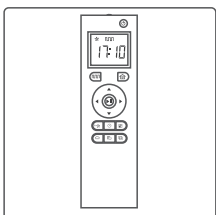
Robot aspirador



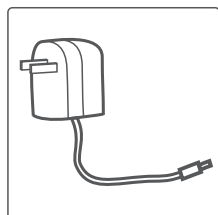
Base de carga



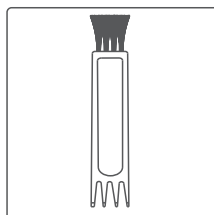
Pilas AAA x2 (opcional)



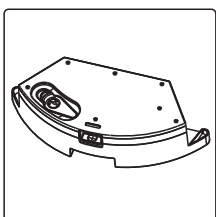
Control remoto



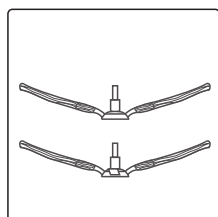
Adaptador de alimentación



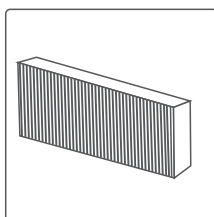
Herramienta de limpieza



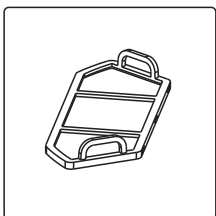
Depósito de agua (opcional)



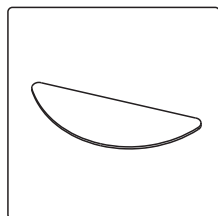
Escobillas laterales



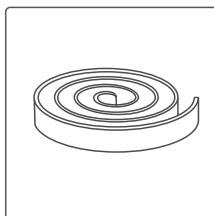
Filtro HEPA adicional



Prefiltro

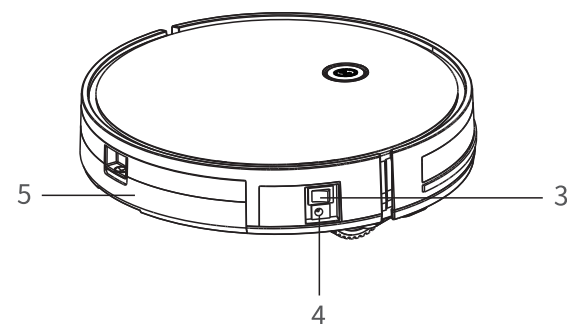
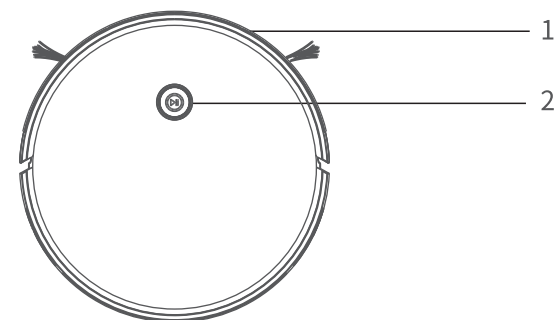


Paño de mopa (opcional)



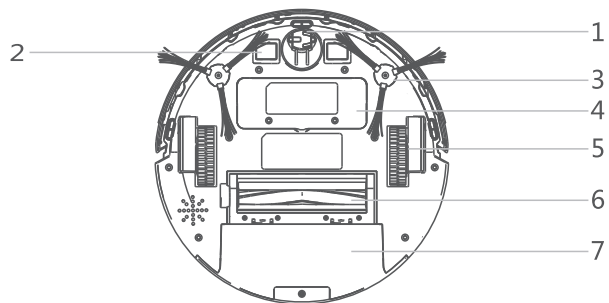
Cinta magnética (opcional)

## Anatomía del robot aspirador



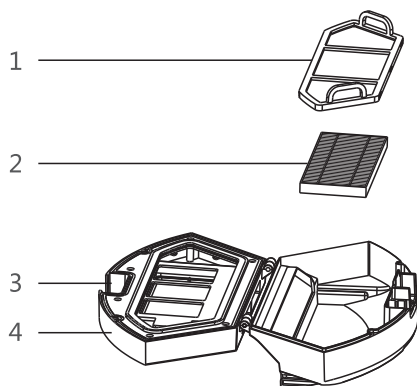
### Parte superior y lateral

1. Parachoques delantero
2. Botón de control
3. Botón de encendido/apagado
4. Entrada de alimentación de CC
5. Colector de polvo



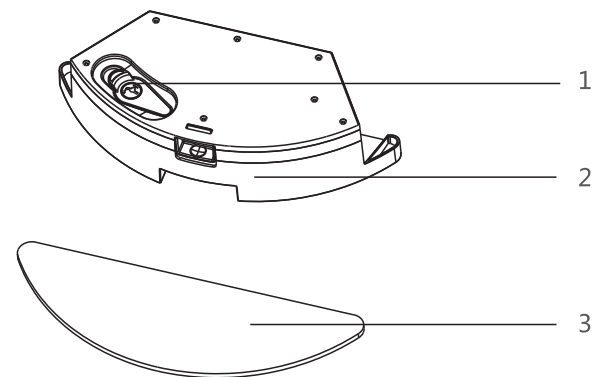
**Parte inferior**

- 1. Rueda universal      2. Electrodo de carga      3. Escobilla lateral
- 4. Tapa de la batería      5. Rueda      6. Escobilla de rodillo
- 7. Recogedor de polvo



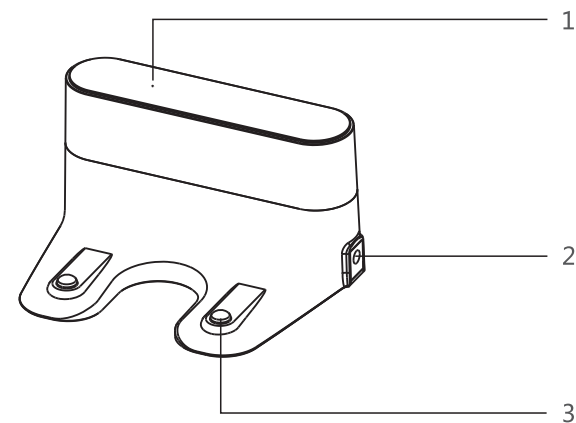
**Colector de polvo**

- 1. Prefiltro      2. Filtro HEPA      3. Depósito de polvo      4. Tapa del depósito



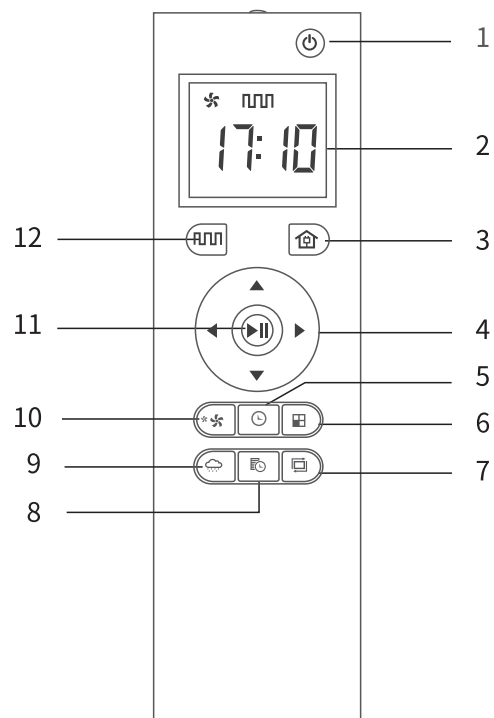
**Depósito de agua (opcional)**

- 1. Tapa      2. Depósito de agua      3. Paño de mopa



**Base de carga**

- 1. Luz indicadora      2. Entrada de alimentación CC
- 3. Contactor de carga



### Control remoto

1. Botón de encendido/apagado
2. Pantalla LCD
3. Carga automática
4. Tecla de dirección
5. Ajuste del reloj
6. Modo de limpieza por zonas
7. Modo de limpieza de esquinas
8. Modo de limpieza programada
9. Modo mopa
10. Botón de ajuste de la succión
11. Tecla de confirmación
12. Modo automático



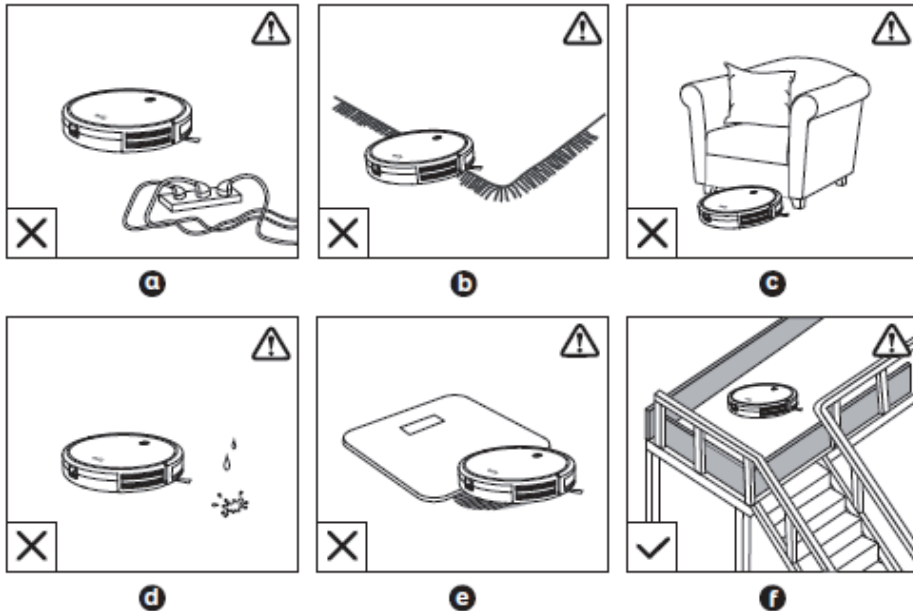
Inserte las dos pilas AAA antes de utilizar el control remoto por primera vez. Asegúrese de que los extremos positivo y negativo estén orientados en la dirección de polaridad correcta, tal como se indica en el compartimento de las pilas.

### Indicación LED

	Luz de estado	Estado
Estado de encendido/apagado	Luz verde fija en el robot aspirador	<ul style="list-style-type: none"> <li>● Cuando se conecta el interruptor de alimentación del robot aspirador, aparece una luz verde.</li> <li>●  en el robot aspirador o  en el control remoto, el robot aspirador empieza a funcionar, aparece una luz verde.</li> </ul>
Estado de error	Luz roja intermitente en el robot aspirador	<ul style="list-style-type: none"> <li>● Compruebe que la escobilla de rodillo está colocada.</li> <li>● Compruebe que la rueda izquierda o derecha está fijada.</li> <li>● Compruebe que las ruedas laterales están fijadas.</li> <li>● Compruebe que la rueda giratoria está acoplada.</li> <li>● Compruebe si el aparato se ha levantado o no puede volver de las escaleras.</li> <li>● Compruebe si la batería está sobrecalentada.</li> <li>● Compruebe que el parachoques está fijado.</li> </ul>
Estado de espera	La luz verde se apaga en el robot aspirador	<ul style="list-style-type: none"> <li>● Si el aspirador no responde a las instrucciones después de 30 minutos de encender el aparato, éste pasa al modo de espera y la luz verde se apaga.</li> </ul>
Estado de carga	La luz verde y la luz roja parpadean alternativamente en el robot aspirador	<ul style="list-style-type: none"> <li>● Cuando la batería esté baja, el robot aspirador buscará la base de carga y la luz verde/roja parpadeará alternativamente (en cuanto encuentre la base de carga e inicie la carga, la luz volverá a ser verde; cuando la batería esté completamente cargada, la luz se apagará automáticamente).</li> </ul>
Estado de coincidencia de red	La luz verde parpadea 3 veces cada segundo	<ul style="list-style-type: none"> <li>● Cuando el robot aspirador está conectado a la red mediante Wi-Fi.</li> </ul>
	La luz verde parpadea cada 1,5 segundos	<ul style="list-style-type: none"> <li>● Cuando el robot aspirador está conectado a un punto de acceso wifi compartido o wifi modular.</li> </ul>

## Utilización de su robot aspirador

### Consejos importantes antes del uso



A) Retire del suelo los cables de alimentación y los objetos pequeños que puedan enredar el robot aspirador.

B) Doble los bordes con borlas de las alfombras por debajo para evitar que la aspiradora se enrede. Evite limpiar alfombras de pelo alto de color muy oscuro o alfombras de más de 26 mm de grosor, ya que esto puede provocar un mal funcionamiento del aspirador.

C) Mantenga el robot aspirador alejado de espacios inferiores a 80 mm para evitar que se atasque. Si es necesario, coloque una barrera física para bloquear las zonas problemáticas.

D) Mantenga el robot aspirador alejado de zonas húmedas.

E) La aspiradora puede trepar por objetos de menos de 16 mm de altura. Retire estos objetos si es posible.

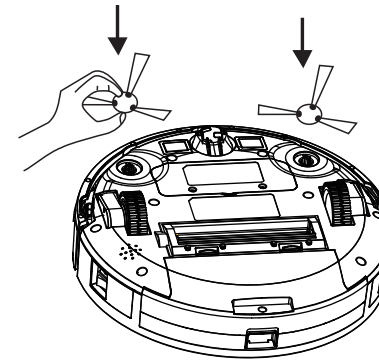
F) Los sensores anticaídas evitan que el robot aspirador se caiga bruscamente. Pueden ser menos eficaces si están sucios o se utilizan en suelos reflectantes/oscuros. Se recomienda colocar barreras físicas para bloquear las zonas en las que el robot podría caerse.



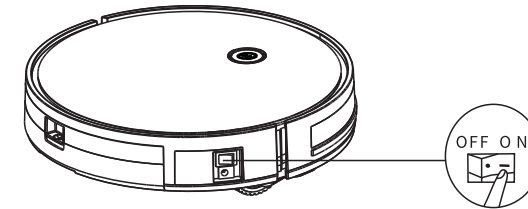
Coloque barreras físicas delante de chimeneas y zonas que puedan causar daños al robot aspirador.

## Preparación

① Instale las escobillas laterales antes del uso.

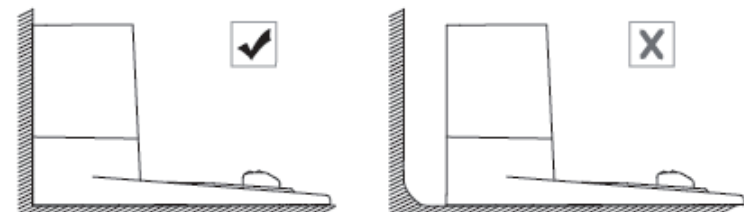


② Encienda el interruptor principal situado en la parte inferior del robot.

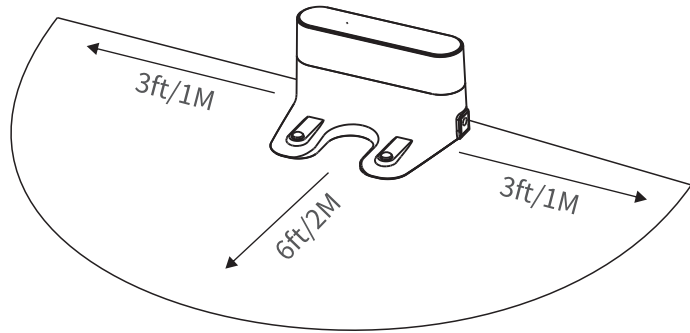


Retire la pegatina situada junto a la cámara interruptora y los bloques de espuma situados junto al parachoques antes de su uso.

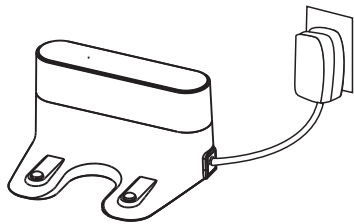
③ Coloque la base de carga sobre una superficie dura y nivelada contra la pared.



④ Retire los objetos que se encuentren en un radio de 1 m/3 pies de los lados izquierdo y derecho y en un radio de 2 m/6 pies de la parte delantera de la base de carga.



⑤ Enchufe el conector redondo del adaptador a la toma de corriente de la base de carga y el otro extremo a un enchufe de pared.




-Instale la base de carga en un lugar fácilmente accesible para el robot aspirador. Se recomienda colocar la base de carga contra una pared y sobre una superficie dura y no sobre alfombras o moquetas.

- Mantenga la base de carga encendida en todo momento, ya que el robot no podrá volver automáticamente.

## Cargar su robot aspirador

- El robot aspirador tiene una batería recargable preinstalada que debe cargarse cuidadosamente antes de su uso.
- El robot aspirador vuelve a la base de carga al final de cada ciclo de limpieza o cuando la batería está baja.

Método 1: Coloque el robot aspirador en la base de carga, alineando las clavijas de carga con las clavijas de carga de la base (Figura 1).

Método 2: Pulse  en el control remoto para devolver el robot aspirador a la base de carga (Figura 2).

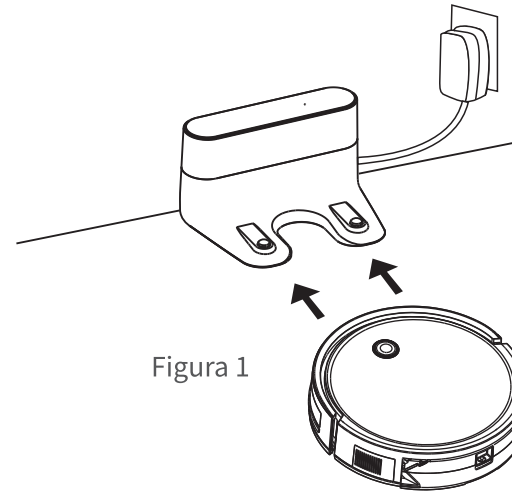


Figura 1

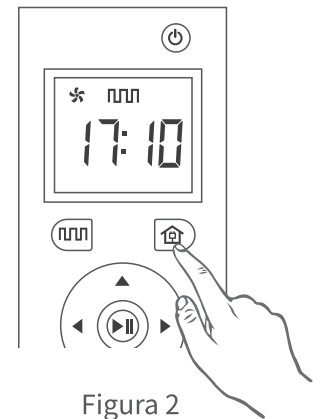


Figura 2



Conecte el interruptor principal si no va a utilizar el robot aspirador durante un largo periodo de tiempo. Para preservar la vida útil de la batería, recárguela al menos una vez cada 6 meses.

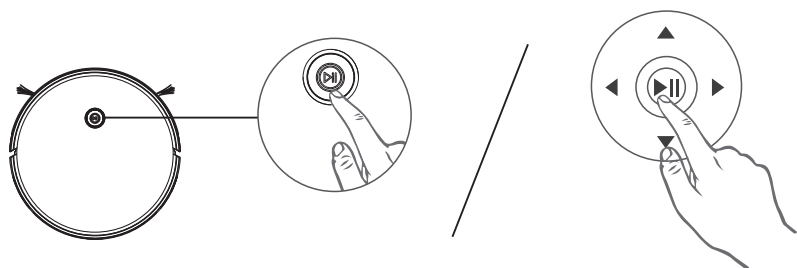
## Inicio/parada de la limpieza



Asegúrese de que el interruptor principal, situado en la parte inferior de la aspiradora, está encendido antes de utilizarla.

1. Pulse  en el robot aspirador o  en el control remoto para iniciar la limpieza.

2. Pulse  en el robot aspirador o  en el control remoto para parar la limpieza.

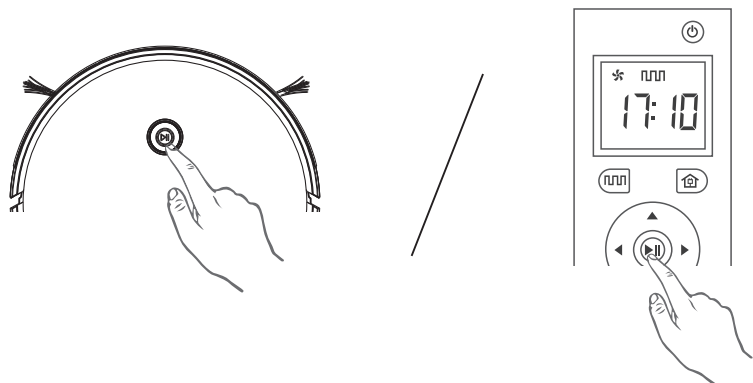


## Seleccionar un modo de limpieza

### 1. Limpieza automática


La aspiradora optimiza su recorrido de limpieza seleccionando automáticamente distintos modos de limpieza hasta que ésta finaliza. Este es el modo de limpieza más utilizado.


Pulse  en el robot aspirador o  o  en el control remoto para parar la limpieza.





-El robot aspirador volverá a la base de carga automáticamente cuando la batería esté baja o cuando haya terminado de limpiar.  
-Por defecto, el robot aspirador se pone en modo de limpieza automática al encenderlo.

## 1200pa y 1800pa Potencia de aspiración en dos etapas

Cuando se pulsa  en el modo de limpieza automática, el robot aspirador cambia automáticamente la potencia de succión entre 1200pa y 1800pa. Para alfombras más gruesas con suciedad difícil de limpiar, se recomienda la potencia de succión 1800pa, que reducirá el tiempo total de limpieza, pero aumentará el nivel de ruido. Si el ruido de succión causado por esta función le molesta, puede cambiar a 1200pa para reducir el ruido. (Esta función funciona en modo automático, modo por zonas y modo por esquinas).

En modo automático, limpieza por zonas o de esquinas, pulse repetidamente  en el control remoto para ajustar el nivel de potencia de aspiración.

El icono correspondiente aparece en el mando a distancia.

Icono	Nivel de potencia de aspiración
 Estándar	1200pa potencia estándar
 Mejorada	Potencia mejorada 1800pa



La próxima vez que el robot aspirador empiece a limpiar en modo automático o por zonas o esquinas, limpiará según el nivel de potencia de succión seleccionado previamente.

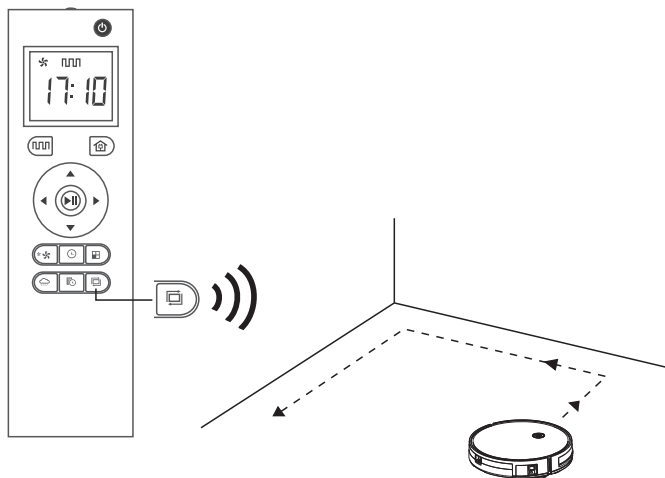
Cuando el robot aspirador se apague y se vuelva a poner en marcha, limpiará con un nivel de potencia de succión estándar de 1200pa.



## 2. Limpieza de esquinas


El robot aspirador reduce su velocidad en cuanto detecta una pared y la sigue para asegurarse de que la esquina queda completamente limpia. En el modo de esquina, el robot aspirador limpiará durante 20 minutos y después volverá a la base de carga.

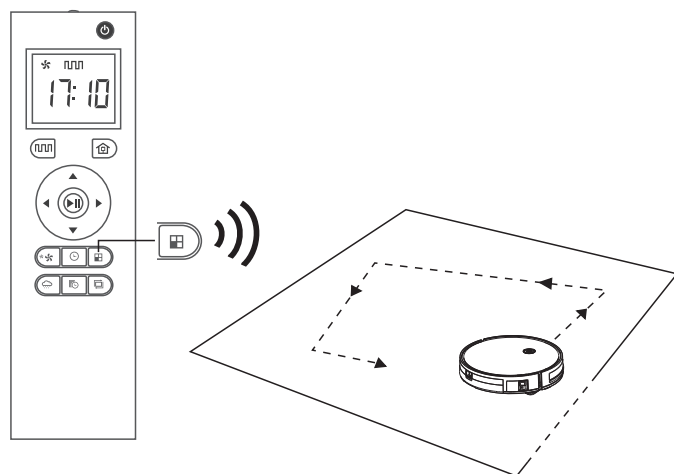
Pulse  en el control remoto para iniciar la limpieza en modo de esquina.



## 3. Limpieza por zonas

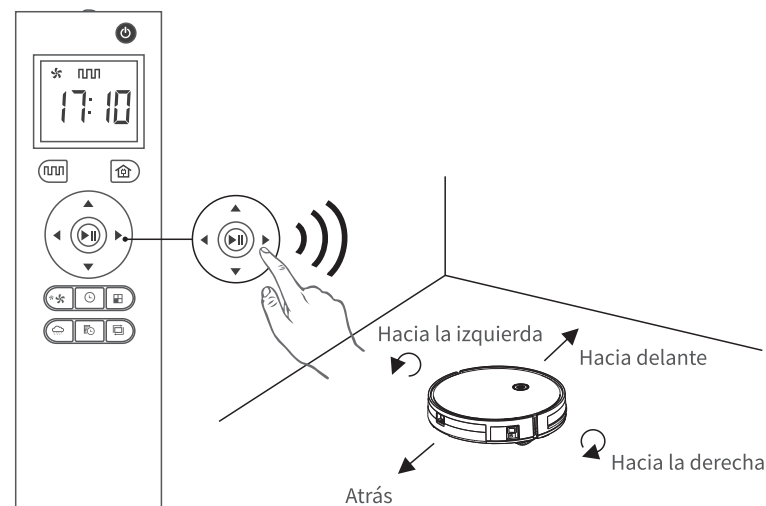
Pulse esta tecla para limpiar la zona fija, primero en espiral hacia el exterior. Cuando el radio del círculo exterior se aproxime a 0,5 metros, la máquina limpiará la zona fija en espiral hacia el interior desde el punto de partida.

Pulse  en el control remoto para iniciar la limpieza por zonas.



## 4. Limpieza manual

Puede dirigir el robot aspirador para que limpie una zona específica utilizando los botones direccionales del control remoto.



## 5. Modo de mopa








Pulse  para cambiar entre los niveles bajo, medio y alto del depósito de agua.

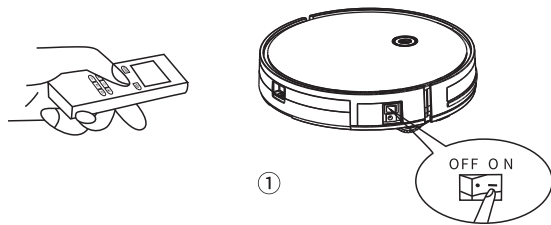
## Establecer un horario y una limpieza programada

Establecer un horario

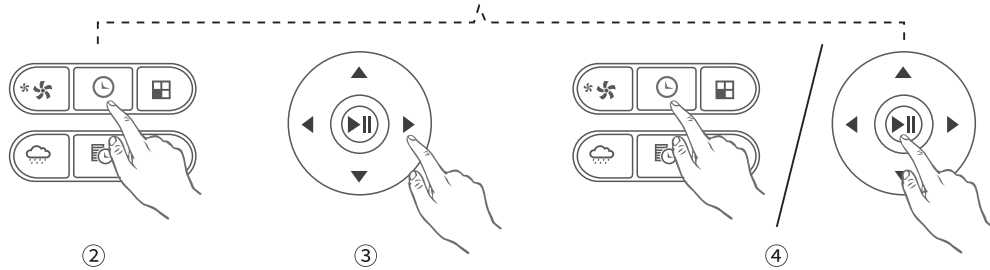


Antes de programar una limpieza, asegúrese de que la hora coincide con la de su país.

- 1 Asegúrese de que el interruptor principal situado en la parte inferior del robot está encendido.
- 2 Pulse  en el control remoto, la hora parpadeará en la pantalla.
- 3 Pulse     para ajustar la "hora" y los "minutos" (la hora está ajustada a 24 horas).
- 4 Pulse  o  para guardar el ajuste predeterminado.



①



②

③

④



Para asegurarse de que la programación se ha realizado correctamente, compruebe que el robot aspirador está encendido.

### Establezca un horario de limpieza

Puede programar el robot aspirador para que empiece a limpiar a una hora determinada.

Para cancelar una limpieza programada previamente, pulse durante 3 segundos hasta que el recordatorio de voz confirme que se ha completado el proceso de cancelación y desaparezca.

**Nota:** Antes de programar una limpieza, asegúrese de que la hora se ha ajustado correctamente a su hora local; consulte la sección anterior "Establecer un horario" como referencia.

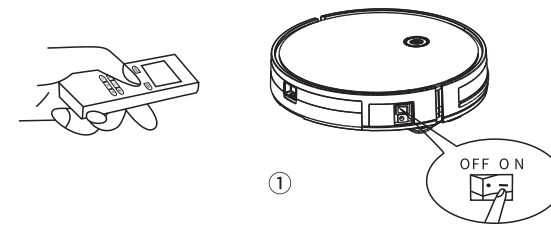
① Asegúrese de que el interruptor principal situado en la parte inferior del robot aspirador está encendido.

② Pulse en el mando a distancia, la hora parpadeará en la pantalla.

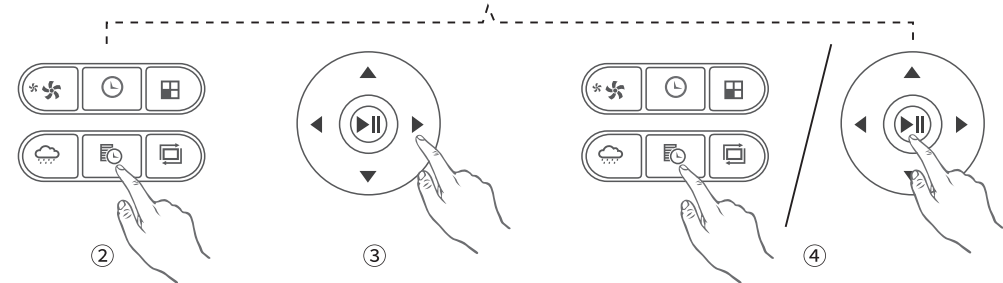
③ Pulse para ajustar la "hora" y los "minutos"

(la hora está ajustada a 24 horas).

④ Pulse o para guardar el ajuste predeterminado. Aparecerá en la pantalla y el recordatorio de voz confirmará que la limpieza se ha programado correctamente.



①



②

③

④



Para asegurarse de que la programación se ha realizado correctamente, asegúrese de que el robot aspirador está encendido. Oirá un recordatorio de voz confirmando que se ha programado la limpieza.

## Limpeza y Mantenimiento

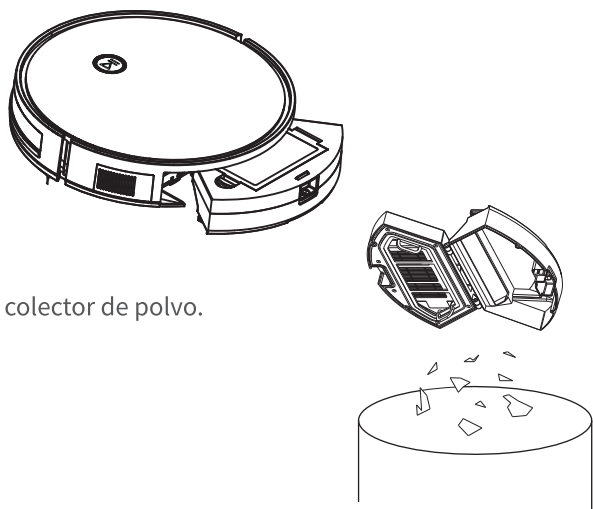
Para obtener un rendimiento óptimo, siga las instrucciones que se indican a continuación para la limpieza y el mantenimiento periódicos del robot aspirador. La frecuencia de limpieza/sustitución dependerá de los hábitos de uso de su robot aspirador.

Frecuencia de limpieza/sustitución recomendada:

Pieza del robot aspirador	Frecuencia de mantenimiento	Frecuencia de sustitución
Escobilla lateral	Una vez cada dos semanas	Cada 3-6 meses
Escobilla rodante	Una vez por semana	Cada 6-12 meses
Filtro HEPA	Una vez por semana	Cada 3-6 meses
Rueda giratoria	Una vez por semana	N/M
Sensores anticaídas		
Parachoques		
Clavijas de carga		
Base de carga		

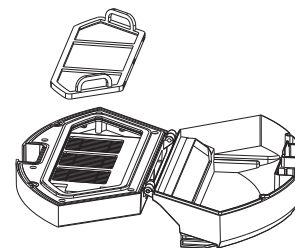
### Limpiar el colector de polvo y los filtros

① Pulse el botón de apertura del colector de polvo para extraerlo.

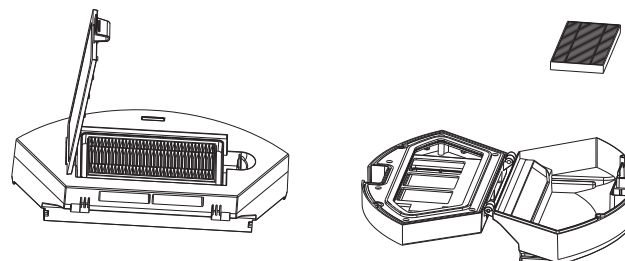


② Abra y vacíe el colector de polvo.

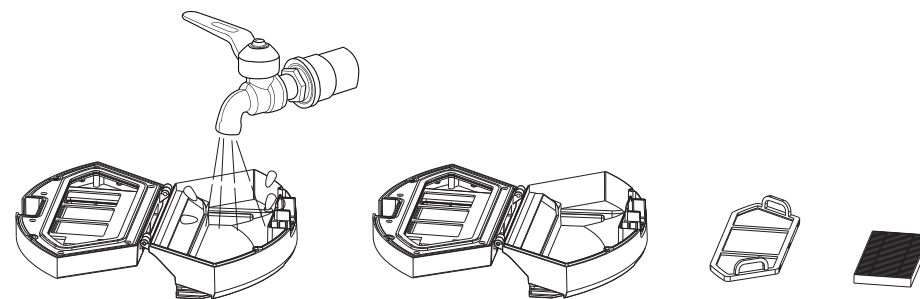
③ Retire el prefiltro tirando de los ganchos como se muestra.



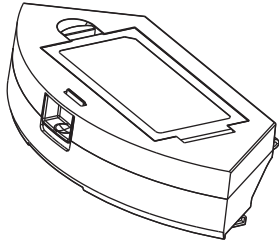
④ Retire el prefiltro y el filtro HEPA.



⑤ Limpie el colector de polvo y los filtros con una aspiradora o un cepillo de limpieza.



⑥ Vuelva a colocar los filtros en el separador de polvo.



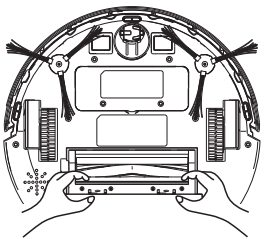
⑦ Coloque el separador de polvo en el aparato.



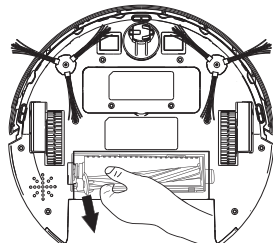
Puede limpiar el colector de polvo y el prefiltro con agua. Asegúrese de dejarlos secar al aire libre antes de montarlos. No limpie el filtro de alto rendimiento con agua, ya que puede dañarlo y reducir la potencia de aspiración.

### Limpiar la escobilla de rodillo

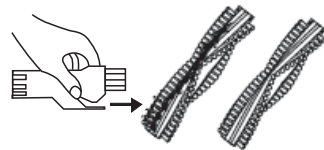
- ① Tire de las lengüetas de liberación para desbloquear el protector del cepillo, como se muestra.
- ② Levante la escobilla rodante para extraer.
- ③ Limpie la escobilla de rodillo con la herramienta de limpieza suministrada o con una aspiradora.
- ④ Vuelva a instalar la escobilla de rodillo introduciendo primero el extremo fijo que sobresale y encajándolo después.
- ⑤ Presione hacia abajo para encajar la escobilla en su sitio.



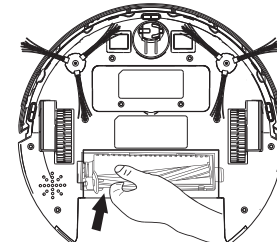
①



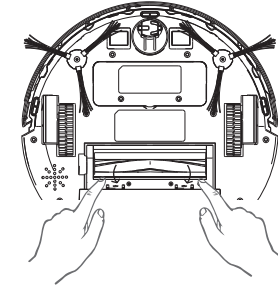
②



③



④

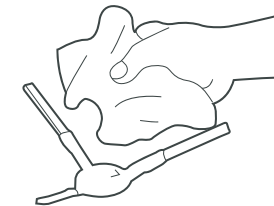
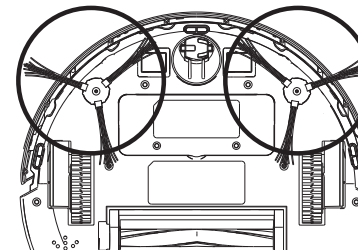


⑤

### Limpiar las escobillas laterales

Las sustancias externas, como el pelo, pueden enredarse fácilmente en las escobillas laterales y la suciedad puede adherirse a ellas. Asegúrese de limpiarlas con regularidad.

- ① Retire las escobillas laterales
- ② Desenrolle y extraiga con cuidado cualquier pelo o hilo que se haya enredado entre la unidad principal y las escobillas laterales.
- ③ Utilice un paño humedecido con agua caliente para eliminar el polvo de las escobillas y vuelva a colocarlas con cuidado.

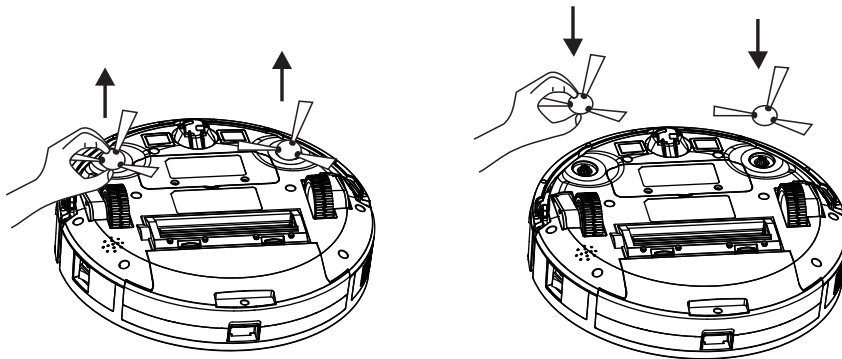


Utilice las escobillas laterales sólo cuando estén completamente secas.

## Sustituir las escobillas laterales

Las escobillas laterales pueden quedar sobrantos o dañarse tras un uso prolongado. Siga las instrucciones siguientes para sustituirlas.

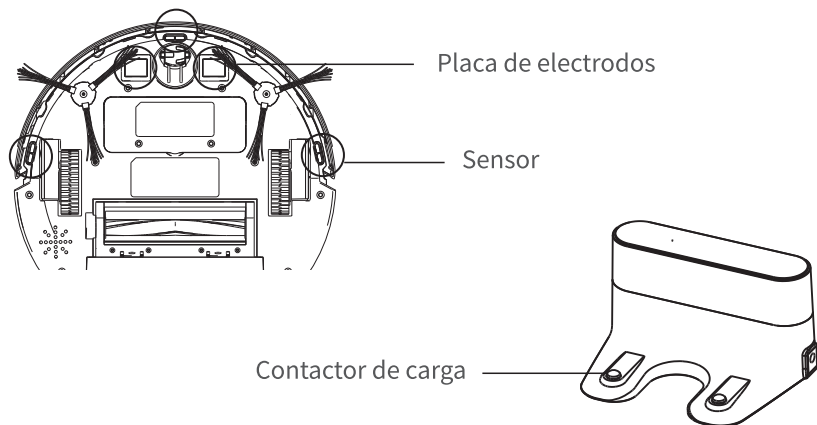
Retire las escobillas laterales viejas y coloque las nuevas en su lugar.



## Limpieza de los sensores y las clavijas de carga

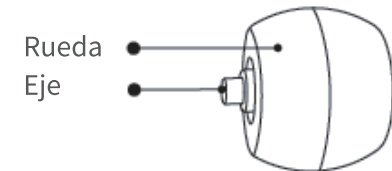
Para mantener un rendimiento óptimo, limpie regularmente los sensores de caídas y las clavijas de carga.

- Limpie el polvo de los sensores de caídas y las clavijas de carga con un paño o un cepillo de limpieza.

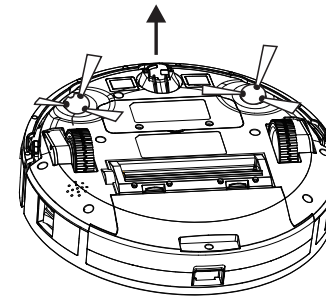


## Limpiar la rueda giratoria

El pelo o las partículas de polvo pueden quedar atrapados fácilmente en la rueda giratoria.



- ① Retire la rueda giratoria.



- ② Limpie el pelo y los residuos enredados alrededor de la rueda o enredados en la cavidad de la rueda.
- ③ Vuelva a instalar la rueda y empújela hasta que encaje en su sitio.



- Puede limpiar la rueda con agua.
- Utilice la rueda sólo cuando esté completamente seca.

## Solución de problemas

### Preguntas frecuentes.

Problemas	Soluciones
El robot aspirador no se puede activar	<ul style="list-style-type: none"> <li>● Asegúrese de que el interruptor principal está en la posición ON.</li> <li>● Asegúrese de que la batería está completamente cargada.</li> <li>● Cambie las pilas (2 AAA) del control remoto.</li> <li>● Asegúrese de que el control remoto está dentro del alcance (5 m/16 pies) del robot aspirador.</li> <li>● Si sigue teniendo problemas, apague el interruptor principal y vuelva a encenderlo.</li> </ul>
El control remoto no funciona	<ul style="list-style-type: none"> <li>● Sustituya las pilas del control remoto.</li> <li>● Asegúrese de que el robot aspirador está encendido y totalmente cargado.</li> </ul>
El robot aspirador deja de funcionar de repente	<ul style="list-style-type: none"> <li>● Compruebe si el robot aspirador está bloqueado o atascado en un obstáculo.</li> <li>● Compruebe si la batería está demasiado baja.</li> <li>● Si sigue teniendo problemas, apague el interruptor principal, espere dos segundos y vuelva a encenderlo.</li> </ul>
No se puede programar la limpieza	<ul style="list-style-type: none"> <li>● Asegúrese de que el interruptor principal situado en la parte inferior está encendido.</li> <li>● Asegúrese de que la hora y el programa se han configurado correctamente.</li> <li>● Compruebe si la batería del robot aspirador está demasiado baja para empezar a limpiar.</li> </ul>
La potencia de succión es débil	<ul style="list-style-type: none"> <li>● Compruebe si hay obstrucciones que bloqueen la entrada de aspiración.</li> <li>● Vacíe el colector de polvo.</li> <li>● Limpie los filtros con una aspiradora o un cepillo de limpieza.</li> <li>● Compruebe si los filtros están mojados debido al agua u otro líquido en el suelo, seque los filtros completamente antes de usarlos.</li> </ul>
El robot aspirador no se puede cargar	<ul style="list-style-type: none"> <li>● Compruebe que el indicador de la base de carga se enciende. Si no se enciende, póngase en contacto con el servicio técnico de Duronn para que reparen o sustituyan la base de carga.</li> <li>● Limpie el polvo de las clavijas de carga con un paño seco.</li> <li>● Compruebe que puede oír un pitido y un recordatorio de voz de que se ha iniciado la carga. Si no es así, póngase en contacto con el equipo de servicio de Duronn para que reparen o sustituyan la base de carga.</li> </ul>
El robot aspirador no puede volver a la base de carga	<ul style="list-style-type: none"> <li>● Retire objetos en un radio de 3 pies/1 m a los lados izquierdo y derecho y en un radio de 6 pies/2 m desde la parte delantera de la base de carga.</li> <li>● Cuando el robot aspirador está cerca de la base de carga, vuelve más rápidamente. Sin embargo, si la base de carga está demasiado lejos, el robot aspirador necesitará más tiempo para volver. Tenga paciencia mientras regresa.</li> <li>● Limpie las clavijas de carga.</li> </ul>
La escobilla de rodillo no gira	<ul style="list-style-type: none"> <li>● Limpie la escobilla de rodillo.</li> <li>● Compruebe que la escobilla de rodillo y el protector de la escobilla se han montado correctamente.</li> </ul>
El movimiento o la trayectoria del robot aspirador es anormal	<ul style="list-style-type: none"> <li>● Limpie los sensores cuidadosamente con un paño seco.</li> <li>● Reinicie el robot aspirador conectando y desconectando el interruptor</li> </ul>

## Especificaciones

1	Tensión nominal	DC14.8V
2	Rango de tensión aplicable	DC14--DV17V
3	Capacidad de la batería de litio	2600mAh (4400mAh opcional)
4	Alimentado por	Batería de litio recargable (tiempo de carga: 3-4 horas)
5	Duración de limpieza con una carga	60~100mins
6	Potencia nominal	24W
7	Rango de temperatura de funcionamiento	-10°C ~ 55°C
8	Rango de humedad de funcionamiento	90RH
9	Corriente de espera	≤ 65mA
10	Nivel de ruido de funcionamiento	68dB(A)
11	Tensión del adaptador de corriente	18V
12	Vida útil de la máquina	≤ 7200-8000 horas de funcionamiento continuo o 3 años para uso intermitente
13	Dimensiones	330(diámetro)x79mm(altura)
14	Peso líquido	3.0KG
15	Modo de carga	Carga automática / Manual
16	Duración de carga	3-4h (4-6h)

Modos de limpieza	Modo automático, modo de esquinas, modo por zonas
Piezas de limpieza (orificio de aspiración, escobilla de rodillo, ambos son reemplazables)	Escobilla de rodillo y orificio de aspiración
Capacidad del depósito de polvo	600ML
Componentes filtrantes del contenedor de polvo	Prefiltro lavable, esponja (no lavable) y un filtro HEPA (no lavable)
Orificio de aspiración	Extraíble, no lavable
Tamaño de la escobilla de rodillo	155*40mm
Identificación del suelo	Sensores infrarrojos

Depósito de agua	Controlado eléctricamente
Regulación del caudal de agua (0/1/2/3)	Engranaje ajustable de tres velocidades
Capacidad do depósito de agua (ml)	400ml
Duración de limpieza con el depósito de agua lleno	120/90/60min
Detección automática do depósito de agua	Soporte
Tamaño del paño de limpieza	282*91mm